

# AVCO

*Alloy Valves and Control*

## BALL VALVES 900 SERIES



### **Size**

1/2" - 8" (Full Port)

### **End Connections**

150# Flanged  
PN16 Flanged

### **Valve Materials**

Carbon Steel  
316 Stainless Steel

### **Ball and Stem Materials**

304 Stainless Steel  
316 Stainless Steel

### **Seat Materials**

15% Glass Filled Teflon

### **Mount**

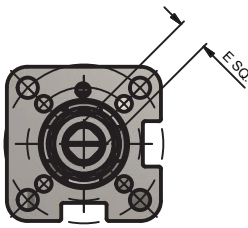
ISO 5211 Direct Mount

### **Service Applications**

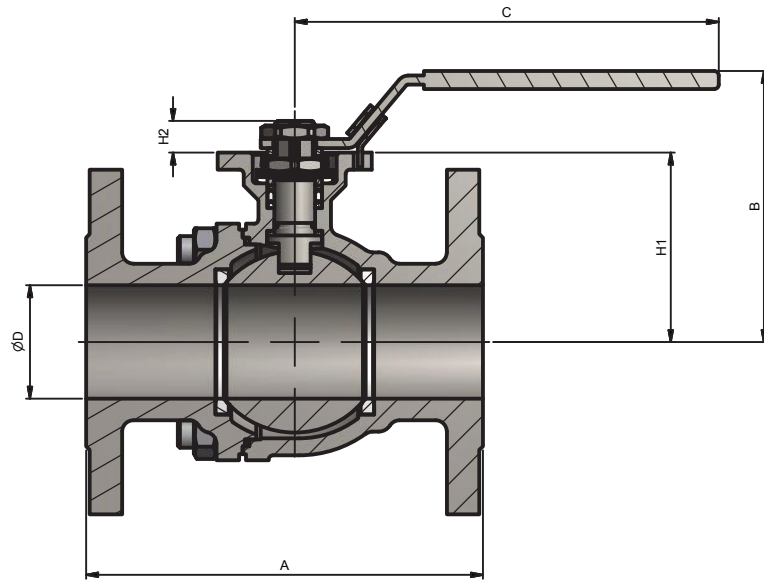
Chemical  
Food Processing  
Oxygen  
Steam  
Thermal Fluids  
Vacuum  
Water/Oil/Gas

### **Applicable Standards**

ASME B16.34  
API 598  
API 608  
ISO 5211

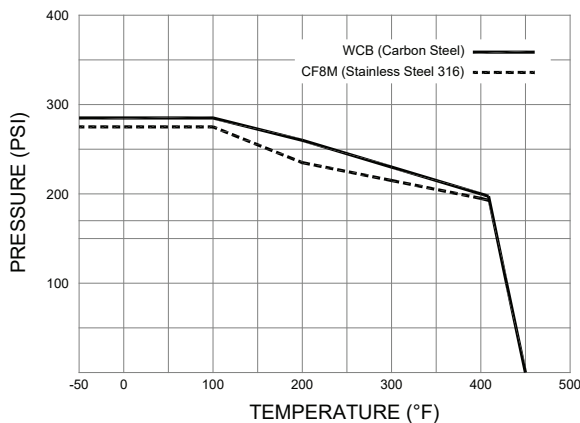


ISO Mounting Pad Detail



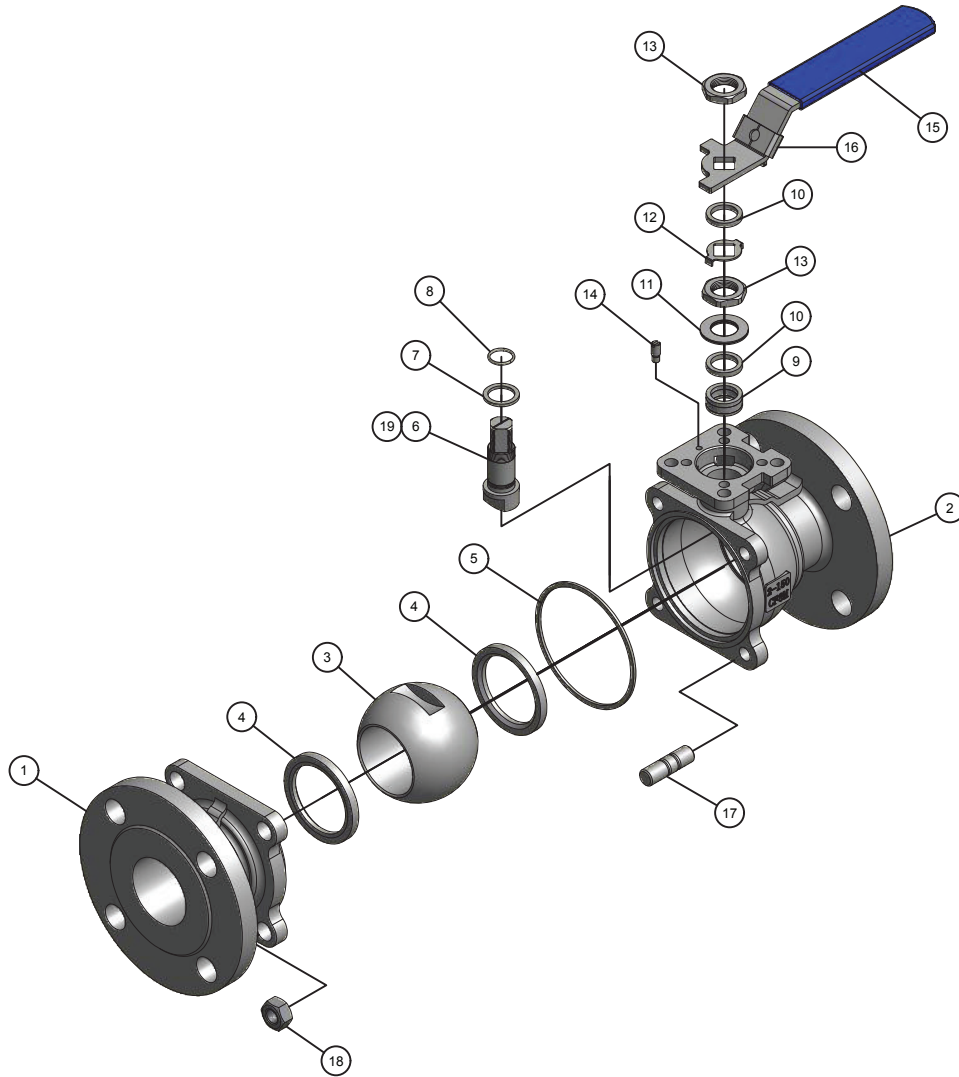
SIZE	A (mm)		B (mm)	C (mm)	D (mm)	E (mm)	H1 (mm)	H2 (mm)	ISO 5211	Torque (in.lbs)	Weight (lbs)
	150#	PN16									
1/2"	108	115	76	120	15	9	48.5	8	F03/F04	45	3.3
3/4"	117	120	81	120	20	9	53.5	8	F03/F04	65	4.1
1"	127	125	90	160	25	11	63.5	10	F04/F05	80	5.5
1 1/4"	140	130	102	160	32	11	71	10	F04/F05	125	7.2
1 1/2"	165	140	114.5	185	38	14	77.5	14	F05/F07	160	11.2
2"	178	150	122.5	185	50	14	83.5	14	F05/F07	225	15.9
2 1/2"	190	170	168	250	65	17	100	16	F07/F10	330	24.3
3"	203	180	178	250	80	17	110	16	F07/F10	585	35.6
4"	229	190	198	310	100	19	130	18	F07/F10	870	48.0
5"	356	325	234	500	125	22	165	23	F10/F12	2305	80.5
6"	394	350	262	645	150	27	190	28	F10/F12	2835	105.8
8"	457	400	304	850	200	27	232	28	F10/F12	4960	181.4

### Pressure/Temperature Rating

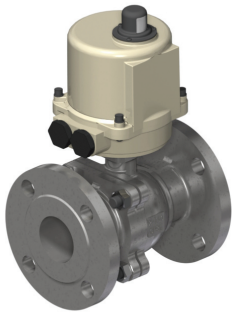


### 1/2" THRU 8"

- Full Port
- 150# & PN16 Flanged
- ISO 5211 Direct Mount Pad
- Adjustable Packing
- Anti-Static
- Blow-out Proof Stem
- Locking Handle as Standard

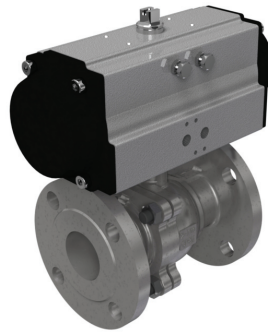


Item	Part	Carbon Steel	Stainless Steel	Item	Part	Carbon Steel	Stainless Steel
1	End Cap	WCB	CF8M	13	Stem Nut	304 SS	304 SS
2	Body	WCB	CF8M	14	Stop Pin	304 SS	304 SS
3	Ball	304 SS	316 SS	15	Handle/Sleeve	304 SS/Plastic	304 SS/Plastic
4	Seat	15% Glass Filled PTFE	15% Glass Filled PTFE	16	Handle Lock	304 SS	304 SS
5	Body Seal	PTFE	PTFE	17	Body Stud	ASTM A193-B8	ASTM A193-B8
6	Stem	304 SS	316 SS	18	Body Nut	ASTM A194-8	ASTM A194-8
7	Thrust Washer	PTFE	PTFE	19	Anti-Static Device	304 SS	304 SS
8	O-Ring	Viton	Viton				
9	Packing	PTFE	PTFE				
10	Gland Ring	304 SS	304 SS				
11	Disc Spring Washer	304 SS	304 SS				
12	Lock Washer	304 SS	304 SS				



### Electric Actuator

120/230 VAC  
12/24 VDC  
NEMA 4/7  
Positioners 4-20 mA  
Reversing  
Telemetry  
Battery Back-up  
Spring Return



### Pneumatic Actuator

Double Acting  
Spring Return  
Solenoid Valves  
Limit Switches  
Positioners 3-15 PSI  
Positioners 4-20 mA  
Intelligent Positioner  
Declutchable Manual Override



### Manual Valves

Spring Return  
Stem Extensions  
Fusible Link  
Lock Device  
Gear Operators

## HOW TO ORDER

9	3	3	R	T	150	100	DM
Series	Body & End Material	Ball & Stem Material	Seat Material	Seal Material	End Style	Size	Option
900 Series 2 Piece Economy Full Port Flanged Ball Valve	1 - Carbon Steel 3 - 316 SS	3 - Stainless Steel	R - 15% Glass PTFE	T - Teflon (PTFE)	150 - 150# Flange PN16 - PN16 Flange	050 - 1/2" 075 - 3/4" 100 - 1" 125 - 1 1/4" 150 - 1 1/2" 200 - 2" 250 - 2 1/2" 300 - 3" 400 - 4" 500 - 5" 600 - 6" 800 - 8"	DM - Direct Mount             Direct Mount (DM) is standard on all valves

Copyright © 2016 Alloy Valves and Control Inc. All rights reserved. No part of this brochure may be used or reproduced in any manner whatsoever without written permission from AVCO

This brochure is general in nature and we reserve the right to alter dimensions, materials or make design improvements.