

EXTRUDER DEGASSING MODULE FOR THE PLASTICS INDUSTRY



EDWARDS THE PARTNER OF CHOICE

Edwards, a world leader in vacuum solutions and innovators in vacuum pump design and manufacturing have for 100 years been delivering solutions that bring value to manufacturing industries.

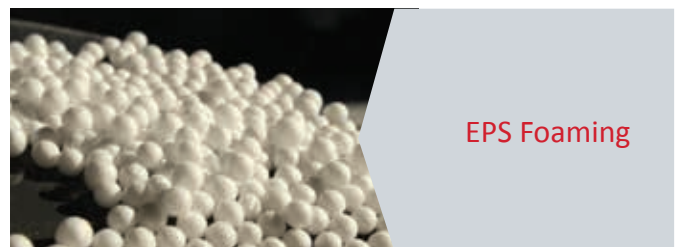
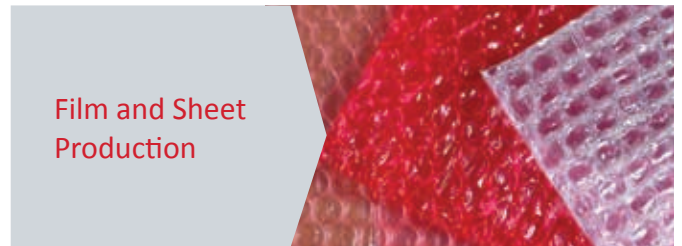


VACUUM YOU CAN RELY ON

Edwards is synonymous with vacuum. Having hundreds of thousands of dry pumps installed worldwide, our high-quality products and application know-how are renowned in the world of vacuum technology. Edwards' trusted dry pumps not only give you the performance you require, but also give you a clear low cost of ownership making your process environmentally friendly.

Vacuum solutions for every application

Vacuum pumping systems used for processing plastics should be capable of handling solids and liquids in a reliable and efficient way, providing vacuum on demand while ensuring control and reducing the environmental impact with a low cost of ownership.



GET THE EDWARDS DRY ADVANTAGE

Edwards vacuum solutions give you a clear dry advantage. Our products are not just pumps but complete vacuum solutions.



Simple – Automatic and manual control options
Easy integration with your system



Environmental – Proven dry technology
Kinder on the environment: dry pumps do not generate contaminated oil or water



Reliable & Flexible – Rough to high vacuum pumping technologies for corrosion-free operation with robust liquid and solids handling
Increased productivity between service intervals

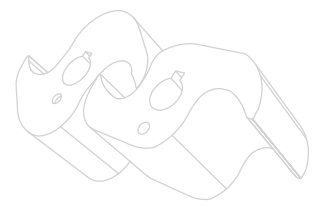


Economical – Affordable systems with low cost of ownerships
Low installation, running, service and maintenance costs



Global Applications and Service support
Experienced dry pump applications and service experts





APPLICATION EXPERTISE

Quality requires the right technology

Our application expertise and in-depth knowledge of your industry makes it possible for us to offer a comprehensive package of design and systemisation solutions customised for your application:

- Process design
- Equipment specification and selection
- Safety and operating procedures
- Vacuum systems and control integration
- Commissioning and installation
- Operational Qualification for FDA Compliance

Our global network of application specialists and highly focused central applications team are on hand to offer expert support throughout your selection and installation process.



EXDM SYSTEM FOR PLASTICS PROCESSING AND RECYCLING

Edwards' new EXDM system is ideal for degassing and processing with a focus on recycling plastics.

The EXDM system is a modular package for your new or existing installation which comes with an easy logic manual control philosophy or automatic control options for flawless performance and higher throughput.

The trusted performance of our dry claw pumps equipped with stainless steel claws and a coated inner chamber housing allows for corrosion free operation. The new range of our EDC dry claw pumps features an innovative design which are designed to tolerate a number of starts and stops without affecting the pump performance or your process, creating a new benchmark in the claw pump market.

Carefully selected one or two filters capture the solids and liquids from the process flow to ensure that the pump runs smoothly and efficiently. The built-in solvent flush dissolves and removes any condensable build-up to make sure the pump runs smoothly, and the inlet purge helps to speed-up the pump warm-up and shutdown, avoid solvent condensation in the pump chamber and regulates the process pressure.

For processes that need higher capacities or further systemization, we will design the system as your individual package from modules and accessories built as per your specifications. This will typically include multiple pump systems, customised filtration systems and integrated control mechanism. Edwards gives you full flexibility without compromising quality and lead time.

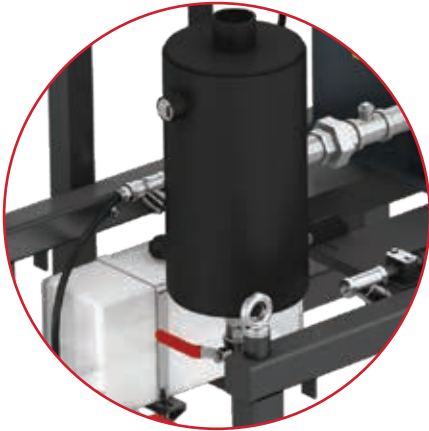
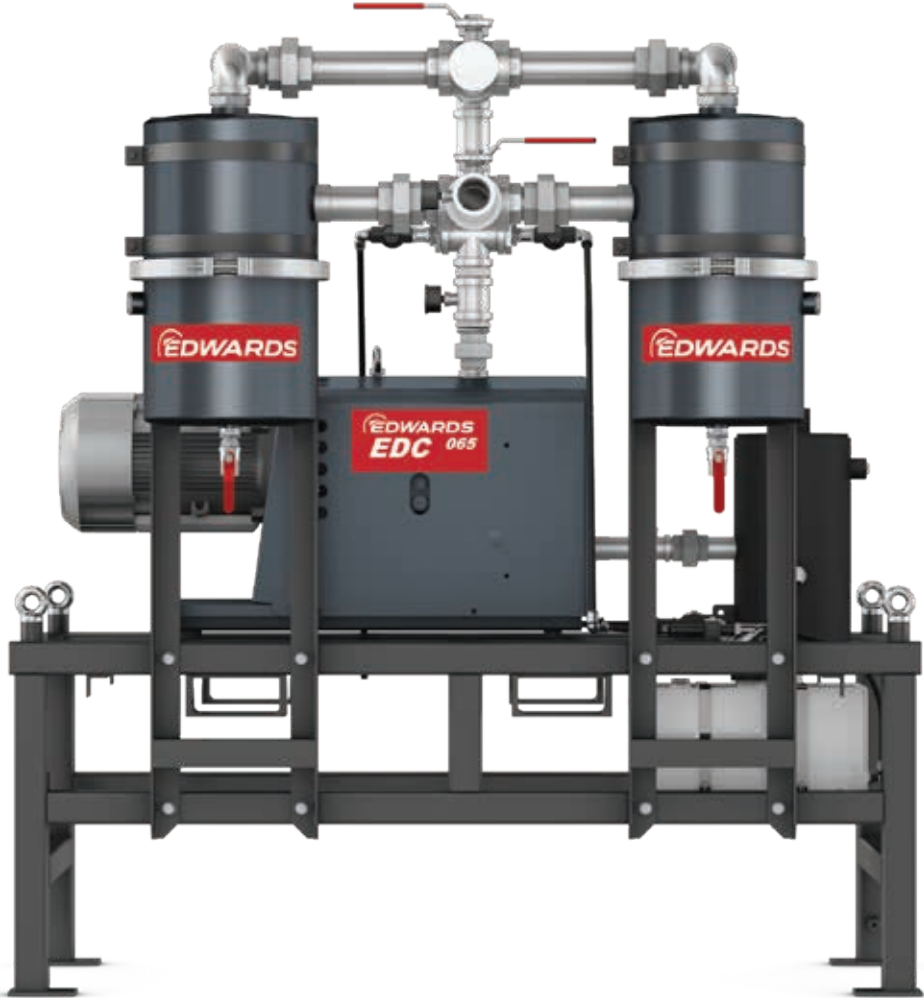


You benefit from:

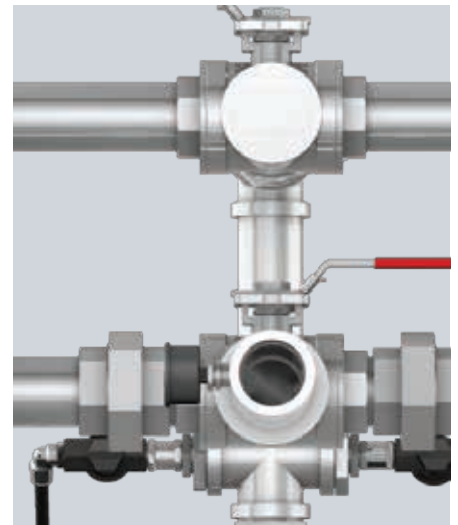
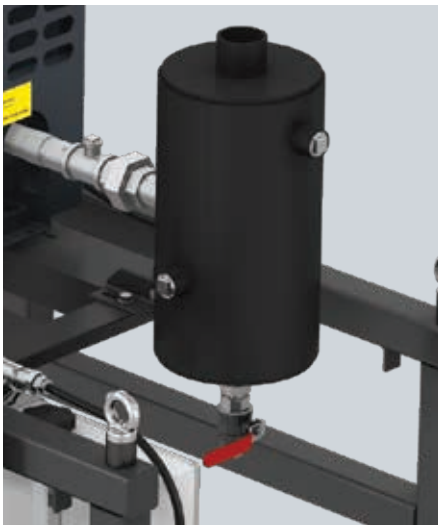
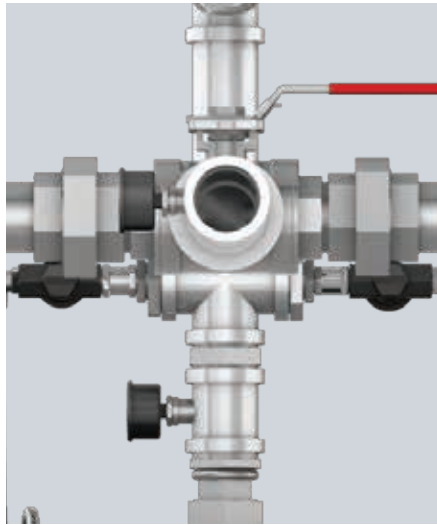
- Modular dry system for new and existing installation
- Easy logic manual control philosophy
- Intelligent automatic control option
- Environmental friendly
- Low cost of ownership

Get in touch with your local application experts and they will help you select the right Edwards system for your process.

EXDM AT A GLANCE



ACCESSORIES



Edwards standard systems typically include a dry pump system with a series of accessory modules such as:

- Filters to capture the solids and liquids from the process
- Safety devices - Solvent flush, gas purges and inlet isolation valves
- Exhaust Tee to capture solvents and liquids from the pump exhaust
- Monitors and controls from gauges to fully enclosed bespoke control units



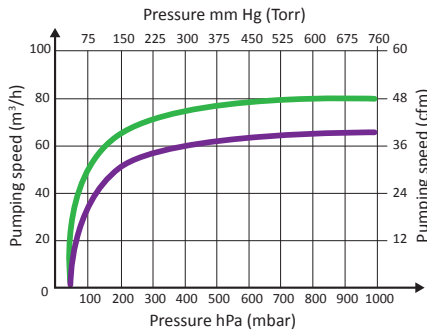
EDC TECHNICAL SPECIFICATIONS

	Units	EDC 065 V	EDC 150 V	EDC 300 V
Ultimate pressure	mbar(a)"/"HG V/Torr	50/28.4/37.5	50/28.4/37.5	140/25.7/105
Cooling (COOL)	Air Cooled			
Supply Voltage	50Hz	200/230/400/500	200/230/400/500	200/230/400/500
	60Hz	200/230/380/460/575	200/230/380/460/575	200/230/380/460/575
	Dual (60Hz only)	Dual voltage 230/460	Dual voltage 230/460	Dual voltage 230/460
Maximum displacement	@50 Hz (m ³ /h)	67	152	295
	@60 Hz (m ³ /h)	81	184	347
Nominal motor power	@50Hz (kW/Hp)	1.8	3.7	6.2
	@60Hz (kW/Hp)	2.2	4.4	7.5
Mean Sound pressure level	dB(A) 50Hz/60Hz	73.4/76	76/80	80/83
Gear Box Oil Type	ULTRAGRADE KINETIC 150			

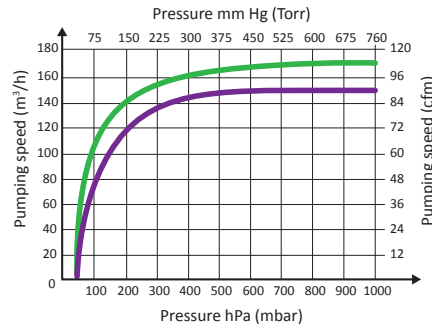
Permissible ambient temperature range is 0° to 40°C/32° to 104°F.
Pumping speed based on air at 20°C/70°F. Tolerance +/- 10%.

PERFORMANCE CURVES

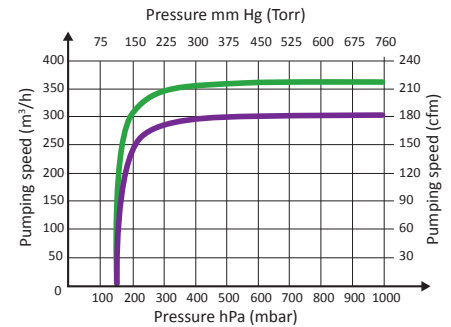
EDC 065



EDC 150



EDC 300



● 60 Hz operation ● 50 Hz operation

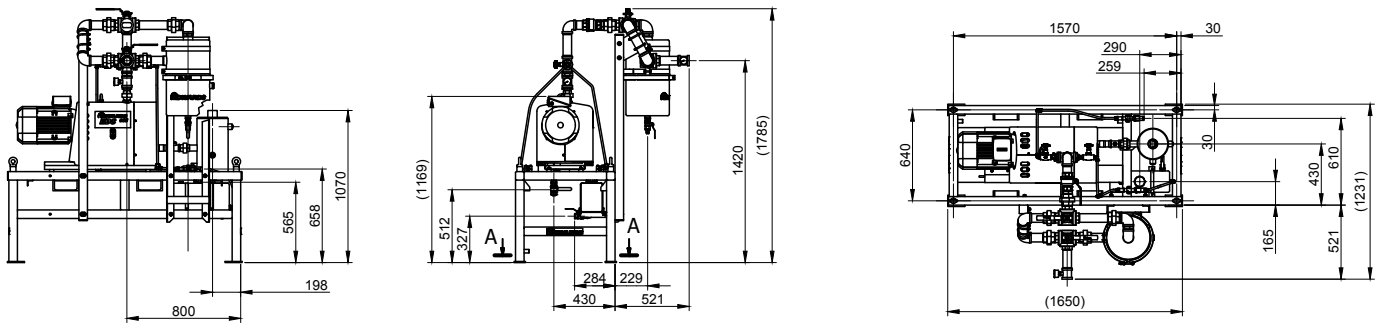
EXDM DIMENSIONS

	Length		Width		Height		Inlet connection size	Outlet connection size
	mm	in	mm	in	mm	in	BSP*	BSP*
EXDM Series	1650	64.96	1231	48.46	1785	70.27	2"	2"

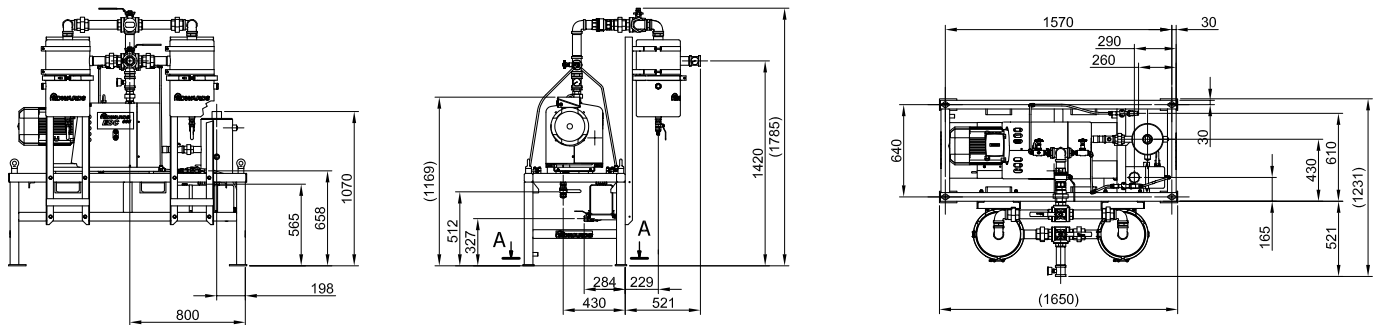
* Process connections supplied as BSP threads as standard. NPT available on request.

EXDM DRAWINGS

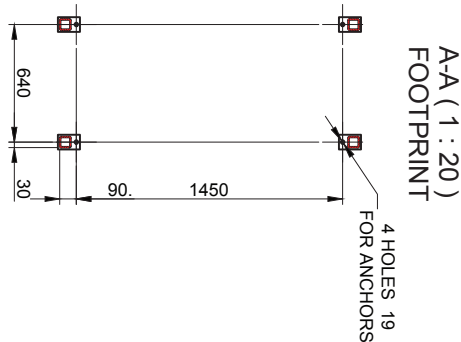
Single filter and bypass



Double filter



Footprint for Single filter and bypass & Double filter systems



SERVICE AND SUPPORT



To ensure your EXDM system maintains optimal performance and reliability, we offer a wide range of service solutions, tailored to meet your needs. From Field Service intervention to Managed Maintenance agreements, we will take care of your pump to ensure that it continues to deliver clean, consistent, efficient performance, with lower running cost and optimum total cost of ownership for its entire operating life.

Selecting original spare parts, maintenance kits and oil, means that every critical part performs as it was intended. Form, fit and function are guaranteed. Our services engineers' only fit 100% genuine parts to ensure you receive the best result from each and every service.

- **Service at your convenience.** Our highly trained Service Technicians carry out commissioning, vacuum health check, routine maintenance, troubleshooting and repair for many types of vacuum equipment. We invest in the tools, training and inventory to enable service in a timely, safe and consistent manner, utilising our best known methods.
- **Managed Maintenance agreements.** Regular scheduled maintenance can identify potential problems before they occur and plans can be structured around different levels of care. It enables cost management and will help you to avoid the risk and expense associated with unplanned downtime. Managed Maintenance lets you focus on your business, we will take care of your maintenance.
- **Service and Remanufacturing** in one of our Service Technology Centres. No matter the condition of your pump our vacuum specialists can handle it. We are experts in vacuum pump maintenance and support pumps from virtually every type of application.



GLOBAL CONTACTS

Publication Number: 3602 420 9 01
 © Edwards Limited 2019. All rights reserved
 Edwards and the Edwards logo are trademarks of
 Edwards Limited.

Whilst we make every effort to ensure that we
 accurately describe our products and services,
 we give no guarantee as to the accuracy or
 completeness of any information provided in
 this brochure.

Edwards Ltd, registered in England and Wales
 No. 6124750, registered office: Innovation Drive,
 Burgess Hill, West Sussex, RH15 9TW, UK.

EMEA

UK	+44 1444 253 000 (local rate) 08459 212223
Belgium	+32 2 300 0730
France	+33 1 4121 1256
Germany	0800 000 1456
Italy	+ 39 02 48 4471
Israel	+ 972 8 681 0633

ASIA PACIFIC

China	+86 400 111 9618
India	+91 20 4075 2222
Japan	+81 47 458 8836
Korea	+82 31 716 7070
Singapore	+65 6546 8408
Taiwan	+886 3758 1000

AMERICAS

USA	+1 800 848 9800
Brazil	+55 11 3952 5000