

Overview

The AVCO ALS210 Limit Switch is a compact mini type limit switch providing a simple cost-effective solution for valve and pneumatic actuator monitoring. The switches are housed in a weather-proof die-cast aluminum body and is compatible with ISO 5211 mount pad and NAMUR shafts.



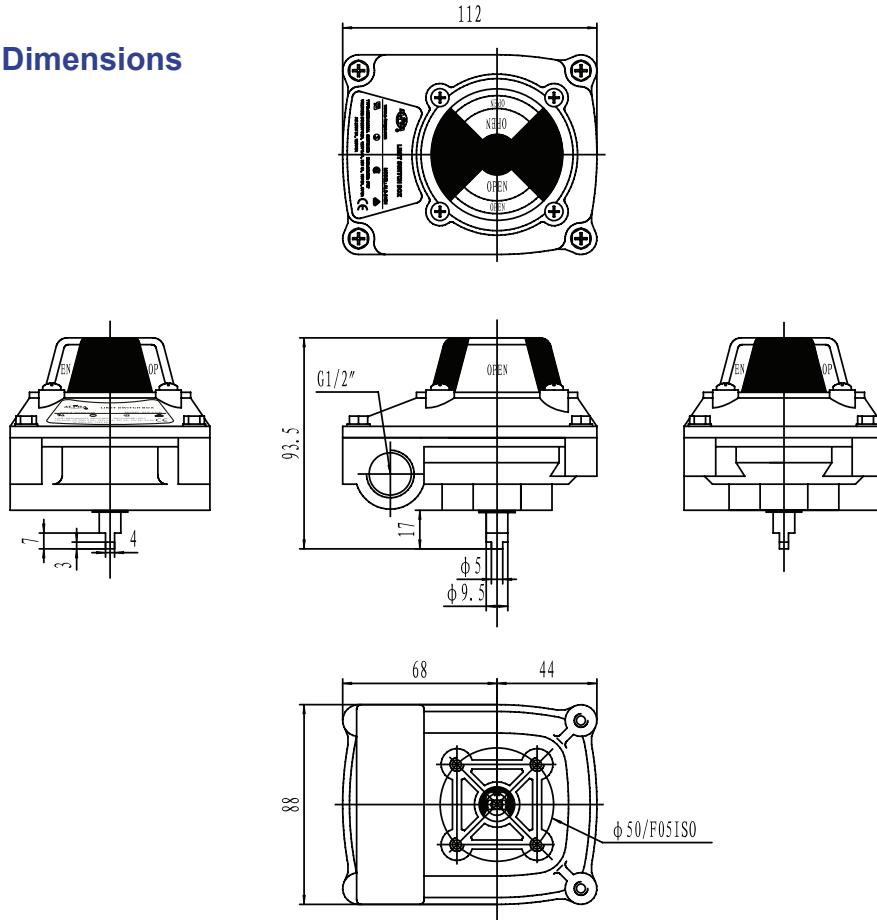
Features & Specification

- Powder Coated Die-Cast Body
- Multi-view Visual Position Indicator
- Weather Proof to IP67
- Quick Set Cam
- Multi-point Terminal Strip
- Dual Cable Entries (1/2" NPT)
- Captive Cover Bolts
- NAMUR Shaft & ISO 5211 Mount Pad
- Mechanical Switches (5A 125-250VAC)
- 40 thru 185°F Operating Temperature
- NAMUR Mount Brackets Available

Item	Parts	Material
1	Cover	Die-Cast Aluminum
2	Body	Die-Cast Aluminum
3	Shaft	Stainless Steel
4	Indicator Cover	Polycarbonate
5	Indicator	ABS/Polycarbonate
6	Switch	Mechanical
7	Terminal Strip	Polycarbonate
8	Cam	Polycarbonate
9	Spring	Stainless Steel
10	Bolts	Stainless Steel
11	Shaft O-ring	NBR
12	Body O-ring	NBR
13	Indicator O-ring	NBR
14	Bushing	Bronze
15	Earth Lug	Stainless Steel
16	E-ring	Stainless Steel



Dimensions



Wiring Diagram (2 SPDT)

