

Model PA91

Self-Priming Swimming Pool Pump

AQUATECHNIX®

Features

- This high performance, medium head pump comes complete with an industry standard Carbon/Ceramic 5/8" mechanical seal for convenient replacement.
- Pump parts are made of 100% recyclable plastic. Non-corrosive, chemical/UV resistant, and can withstand temperatures of up to 150° F.
- Suction and discharge ports are equipped with quick disconnect unions. Provided with a standard 1.5" slip connections. (Optional 1.5" NPT connections also available.)
- For pool users' safety, the impeller has a dielectric shaft sleeve that provides absolute separation between pool water and electric parts.
- Specially constructed clear lid with ring lock design is easy to open. Large strainer basket is always locked in place.
- Optional 4" high base is available.
- Pump is equipped with durable, economical 48 frame motor. Dual voltage motor has two compartments with sealed contacts, stainless steel shaft and Neptune® Advanced Switchless Technology.
- The Model PA91R is equipped with a special 48 frame thru-bolt mount energy efficient PSC motor with stainless steel shaft.
- The Model PA91R is listed on the California Energy Commission's Appliance Efficiency Database for residential pool pumps and complies with the APSP-15 standard.
- The Model PA91 comes complete with a full 2 year warranty.
- All pumps are performance tested to factory and customer specifications.

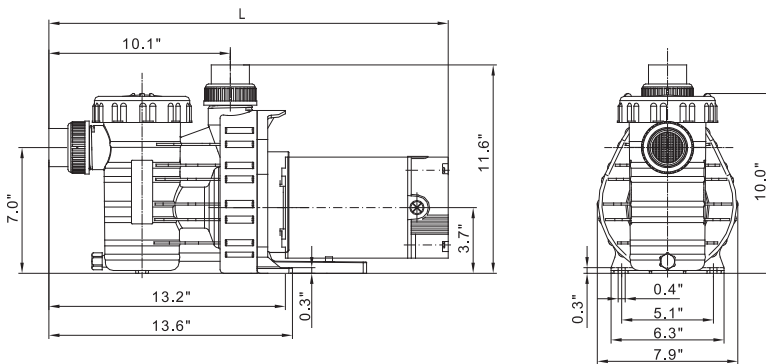


Model PA91-II

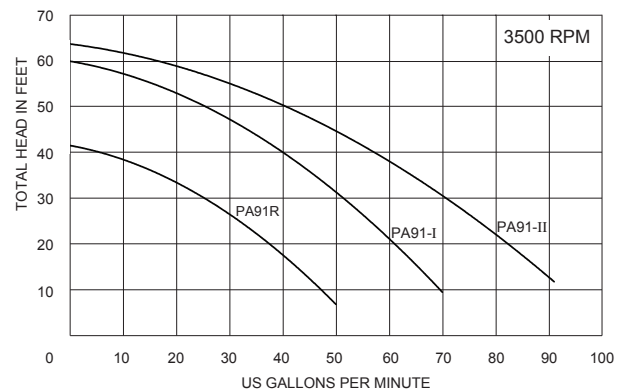
Applications

- Perfect for small in-ground pools and a upgrade for above-ground pools.
- Residential pools

Dimensional Drawing



Performance Curves



Technical Data

MODEL	THP	VOLTS	CYCLE	SPEED	MOTOR	DIMENSION "L"	SHIPPING WEIGHT
PA91R*	0.50	115	60 Hz.	SINGLE	PSC	21.0"	20 lbs.
PA91-I	0.75	115/230	60 Hz.	SINGLE	CSIR	22.4"	21 lbs.
PA91-II	1.0	115/230	60 Hz.	SINGLE	CSIR	22.4"	23 lbs.

*Model PA91R complies with the APSP-15 standard.