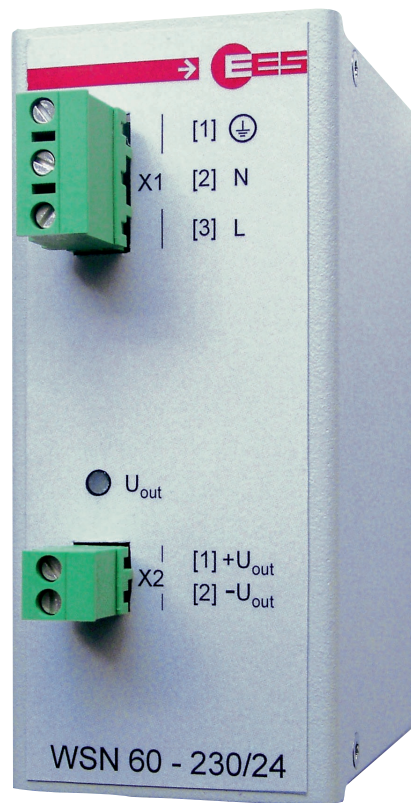




Power supply



→ WSN 60 - Wide range switching power supply

- › Regulated output voltage 24 V DC, 2.5 A
- › Short circuit and overload protection of the output current
- › Operation condition supervision by LED
- › Mountable on DIN rail

→ [Datasheet](#)

SV-WSN60-DB-UK-001

→ Technical data

Input:	
Nominal voltage	230 V AC; 50/60 Hz
Voltage range *1	90 - 264 V AC; 50/60 Hz
Nominal current *2	0,3 A @ 230 V AC 0,6 A @ 115 V AC
Maximum input current (typically)	45 A @ 230 V AC 30 A @ 115 V AC
No-load power consumption	<= 1W
Leakage current (L1,N →Earth)	< 200 µA
Output:	
Nominal voltage	24 V DC
Ripple & Noise	240 mV p-p
Nominal output current	2,5 A
Accuracy (0...100 % load)	<= 2 %
Maximum output current	2,75 A
Nominal output power	60 W
Maximum output power *3	66 W (10 s)
Over load protection	115 ... 150 % of the nominal output power
Switching frequency	100 kHz
Degree of effectiveness	typical 85 % @ nominal output power
Insulation resistance	
Primary side against secondary side and primary side against functional earth and secondary side against functional earth	100 MΩ @ 500 V DC acc. to EN 60950-1
Insulations voltage effective	
Primary side against secondary side	4 kV AC / 1 min acc. to EN 60950-1
Primary side / secondary side against functional earth	1,5 kV AC / 1 min acc. to EN 60950-1
EM compatibility	
Noise immunity acc. to	EN 61000-6-2, EN 61000-4-2,3,4,5,6,8,11
Noise radiation acc. to	EN 50081-2, EN 55011, EN 55022
Mains back coupling acc. to	EN 61000-3-2,3
Ambient conditions	
Operating temperature	-20 ... +60°C (see chart output power)
Storage temperature	-40...+80°C
Mechanical data:	
Terminals	pluggable
Conductor cross section rigid or flexible	
Without wire sleeves	0,2 ... 2,5 mm ²
With wire sleeves	0,25 ... 2,5 mm ²
Relative humidity	20 .. 90 % not condensing
Protection class	IP 20
Dimensions (H x W x D) [mm]	approx. 120x50x80
Weight	approx. 500 g
Assembly	on DIN rail TS35 acc. to EN60715:2001-09

*1 Nominal power only up from $U_{in} > 115V AC$

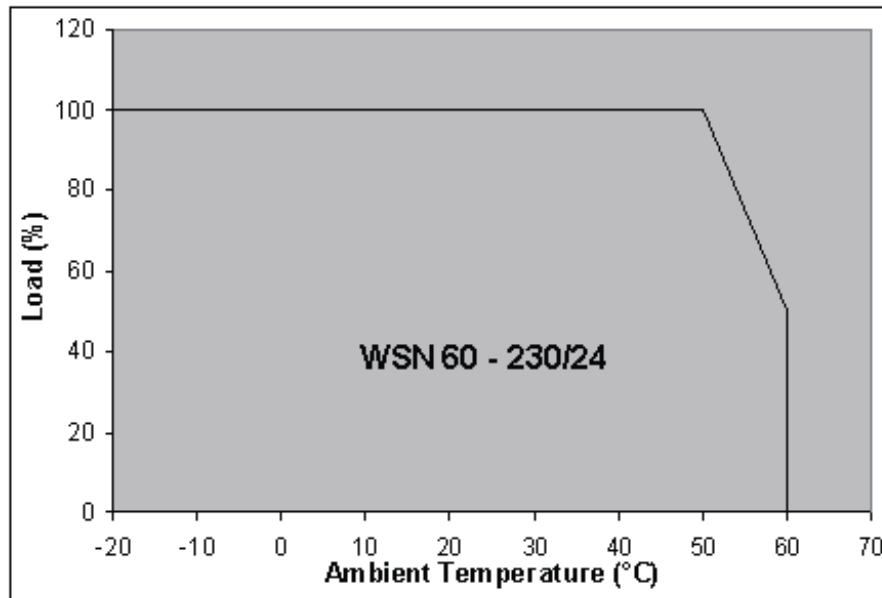
*2 On nominal load

*3 Maximum output power for $t < 10 s$ with 33 % duty cycle per 30 s; only at reduced ambient temperature (see chart output voltage)



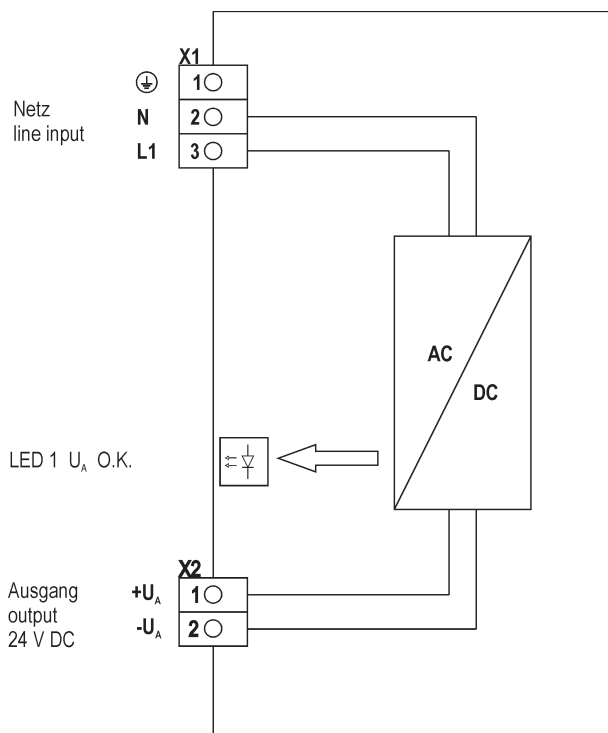
To guarantee a sufficient cooling of the devices please consider the following notes:

- Devices have to be mounted in vertical direction !
 - Do not seal or cover vents !
- Minimum distance to the vents should be at least 20 mm !

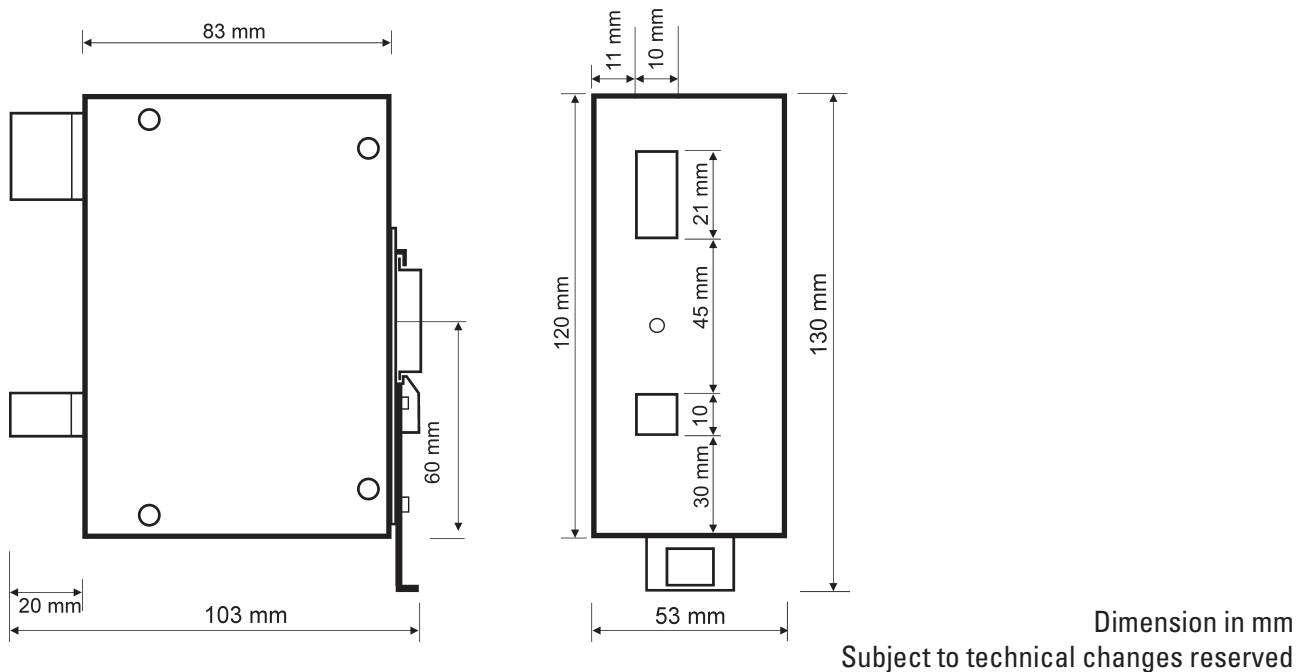


Tolerable output power in dependency of the ambient temperature

→ Terminal assignment



→ Dimensional drawing



→ Ordering code

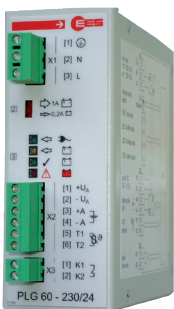
Article number	Description
101WSN060-5B	WSN 60-230/24

Please pay attention also to our other power supplies:



CBS - condenser buffered 24 V power supply unit

- output nominal current 2 A
- high life time: 30 years@30° degrees Celsius
- maintenance-free by long-lasting ultra condensers
- energy storage for 500 J or 1000 J
- broad voltage input 115 ... 230 V AC



PLG 60 - accumulator buffered 24 V power supply unit

- use for lead and gel accumulators with capacities of 1.2 Ah to 38 Ah
- output nominal current 1.25 A
- high degree of effectiveness by microcontrollers supported charging and discharging
- higher accumulator life time by an optional temperature sensor

→ Contact