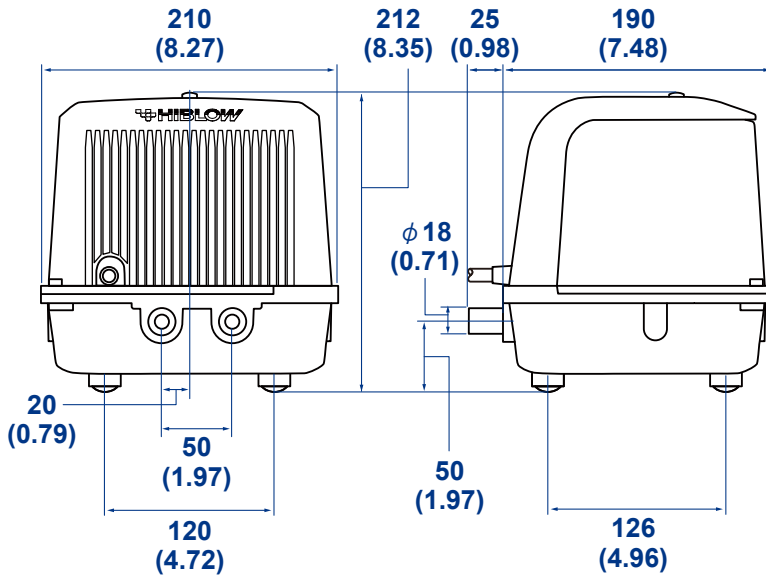


DUO-60, 80

PRESSURE TYPE

Dimensions

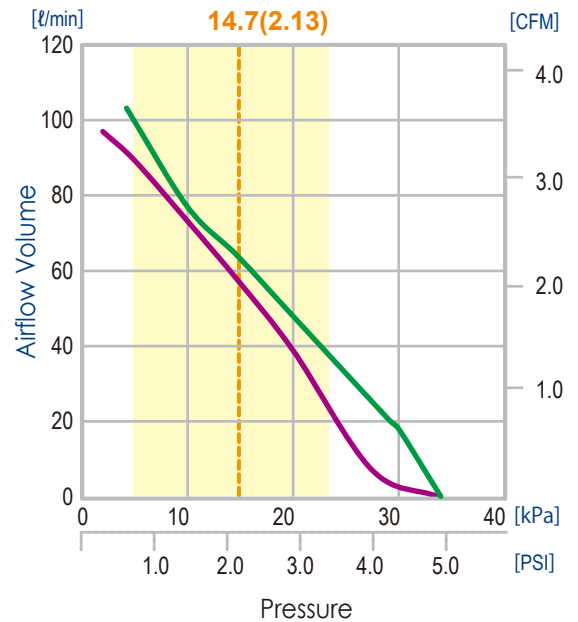
[Unit: mm(inch)]



Performance Curves

--- Rated Loading Pressure [kPa(PSI)]
--- 50Hz --- 60Hz Pressure range for use

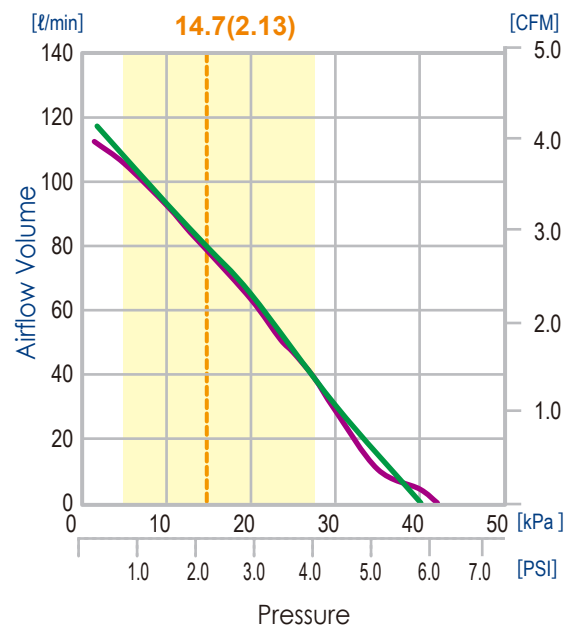
DUO-60



Specifications

		DUO-60		DUO-80	
Rated Voltage	V	AC120 / 230			
Power Supply Frequency	Hz	50	60	50	60
Rated Loading Pressure	kPa	14.7			
Airflow Volume	ℓ/min	60		80	
Power Consumption	W	39		58	
Noise Level	dBA	35			
Weight	kg	6.0			
Pressure range for use	kPa	5~23.5		5~27.5	

DUO-80



- Flow measured in Normal(NL/min)
- Performance data is representative of typical values. Specifications and performance data are subject to change without notice. Purchaser is responsible for determining suitability for product applications
- "HIBLOW" is a registered mark of Techno Takatsuki co., Ltd.