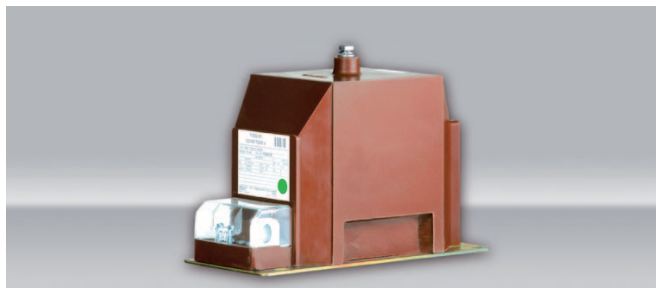


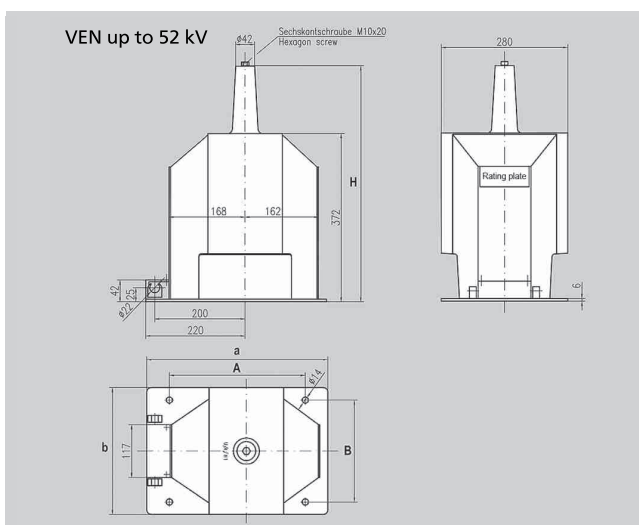
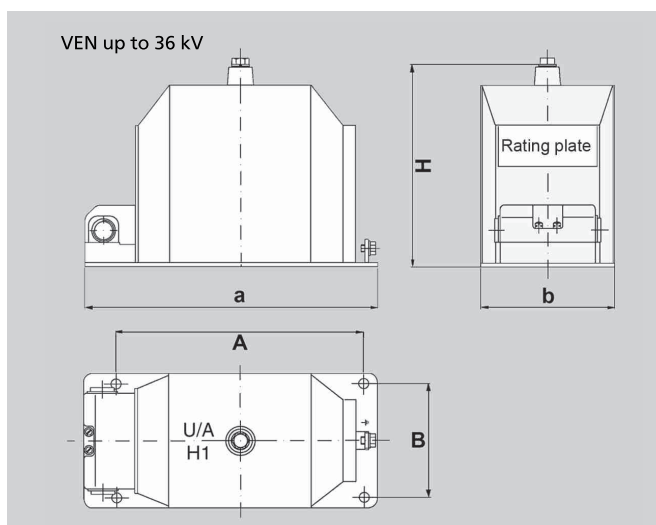


VEN

Voltage Transformer Indoor VEN 12 | 17,5 | 24 | 36 | 52



TYPE VEN Dimensions mm					
	VEN 12	VEN 17,5	VEN 24	VEN 36	VEN 52
A	225	225	250	300	300
B	175	175	200	225	225
a	355	355	355	400	400
b	200	200	230	250	280
H	240	240	273	321	522



TYPE VEN							
			VEN 12	VEN 17,5	VEN 24	VEN 36	VEN 52
U_m		kV	12	17,5	24	36	52
Test voltages		kV	28 75	38 95	50 125	70 170	95 250
Rated Primary Voltage – U_{PN}		V	$10000/\sqrt{3}$ $11000/\sqrt{3}$	$13800/\sqrt{3}$ $15000/\sqrt{3}$	$20000/\sqrt{3}$ $22000/\sqrt{3}$	$30000/\sqrt{3}$ $33000/\sqrt{3}$	$45000/\sqrt{3}$ $50000/\sqrt{3}$
Rated Secondary Voltage – U_{SN}		V	$100/\sqrt{3}$ $110/\sqrt{3}$				
Rated Secondary Voltage for the Earthing Core(en)		V	$100/3$ $110/3$				
Rated Output in Accuracy Class (IEC)	0,2	VA	30	30	30	30	45
	0,5	VA	100	100	100	100	100
	1,0	VA	200	200	200	200	200
Thermal Limit Current		A	10	10	10	10	10
Thermal Limit Current at $1,9 \times U_n / 8h$		A	9	9	9	9	9
Frequency		Hz	50 60				
Weight		kg	24	24	32,5	50	75

Subject to Technical Changes



GERMANY HAMBURG • WIRGES • KIRCHAICH • DRESDEN
AUSTRIA MARCHTRENK | HUNGARY KECSKEMÉT | CHINA SHANGHAI | USA LAVONIA

