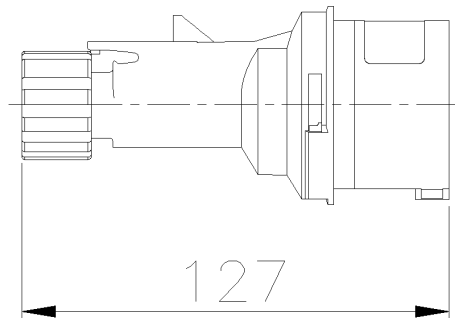




**SERIES MULTIMAX
PLUG
CODE 700127**



Datasheet

Electrical characteristics

Rated current	16A
Supply Voltage	500V 50/60Hz ●
Poles	2P+ $\frac{1}{2}$
Clock Position	7h
Rated insulation voltage	690V
Signal plug inserted	-

Mechanical characteristics

Manufacturing material	Recyclable technopolymer
Alveolus/plugs treatment	-
Color	Grey RAL 7042
Tightening diameter	8 ÷ 13 mm
Execution	Mobile
Protection degree	IP44
Additional degree protection	-
Shock resistance	IK08 according to IEC/EN 62262
Resistance to Glow wire	850°C
Flame rating according UL94	V-2
Terminals type	Screw - direct tightening
Conductors section	Min: 1 mm ² ;Max: 6 mm ²
Terminal tightening torque	1,8 Nm
Net Weight	0.105 KG
Working Environment Temp.	Min: -25°C ;Max: +50°C
Warehousing Temperature	Min: -30°C ;Max: +70°C

Reference Standards and Directives

ETIM classification	EC000140
Certification and approval marks	CB IMQ, IMQ, CE, UKCA
Directives	2011/65/EU (RoHS), 2014/35/EU (LVD), 2012/19/EU (WEEE)
Reference Standards	EN 60309-1:1999/A1AC:2014, EN 60309-2:1999/A1:2007, EN 60309-2:1999/A2:2012, EN 63000:2018, EN 60309-1:1999/A1:2007, EN 50581:2012, EN 60309-1:1999, EN 60309-1:1999/A2:2012, EN 60309-2:1999

The images are purely indicative. Palazzoli reserves the right to make changes without notice.