

- **Mechanical stroke adjustment**
- **Stroke frequency regulation**
- **Pulse control**
- **Pulse multiplication and division**
- **Pulse storage**
- **Standard signal drive**
- **Empty signal report and level pre-warning**
- **External metering stop**
- **Empty signal and stroke signal output**
- **Metering regulator (readjustment of metering output) in combination with an oval gear meter**



The ELADOS® EMP II series of metering pumps is based on the building block principle. Devices of this series comprise the drive unit, the gear, the metering pump head and the electronics. Different electronic control variants guarantee that the pump

may be adapted to any processing sequence for quantity or proportional metering. The scope of delivery is rounded off by practical accessories, so forming a complete range of equipment for all metering uses.

Technical Data (standard version):

Pump type	V3014	V3025	00048	00043	00072	00072	00112	00240
Pump capacity [l/h] */**	1.4	2.5	4.8	4.3	7.2	7.2	11.2	24
Max. metering back-pressure [bar]**	10	10	4	10	6	10	5	2
Delivering capacity/stroke [cm ³]	0.19	0.34	0.65	0.57	0.98	0.98	1.51	3.28
Reproductivity	<± 3 %							
Suction height	2 mWs, suction height with clean, slightly wet valves							
Max. metering frequency	122 1/min							
Max. ambient temperature	40° C							
Weight [kg]	2.1	2.1	2.1	2.4	2.4	3.1	3.1	3.3
Power supply**	230 V / 50 Hz ± 10 % (100 - 240V 50/60Hz ± 10 %)*** (special voltages on request)							
Current consumption [A] at 115/230 V 50 Hz 115/230 V 60 Hz	0,12 0,06		0,20 / 0,21 0,09		0,29 / 0,33 A (0,7)*** 0,14 / 0,16 A (0,7)***			
Motor power [W] at 115/230 V 50 Hz 115/230 V 60 Hz	10,4 / 11,5		18,7 / 19,8		30 / 34,5 (25)***			
Protective class	I							
Safety type	IP 65							
Insulation class	B							

* All data refer to water temperature of 20°C.

** At a mains frequency of 60 Hz delivery capacity increases by 20%, metering back-pressure decreases by 20%

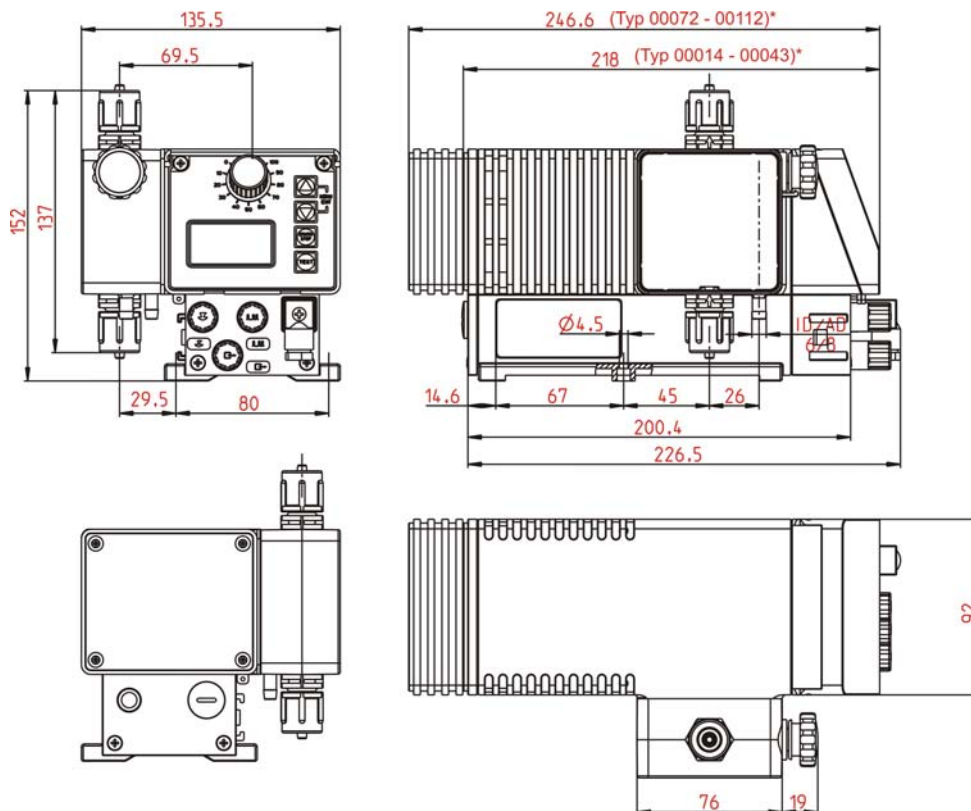
*** The values in brackets refer to types 00072, 00112, 00240 with BLDC motor (recognizable by voltage indication 100- 240 V on identification plate).



Materials:

- Housing: thermoplastic polyester
- Pump head: PVDF
optional: polypropylene or stainless steel 1.4436
- Diaphragm: PTFE – EPDM compound diaphragm
- Seals: FPM 602 (Viton B)
optional: EPDM or Kalrez
- Valve balls: ceramics
optional: PTFE or stainless steel 1.4401
- Colour: blue RAL 5007

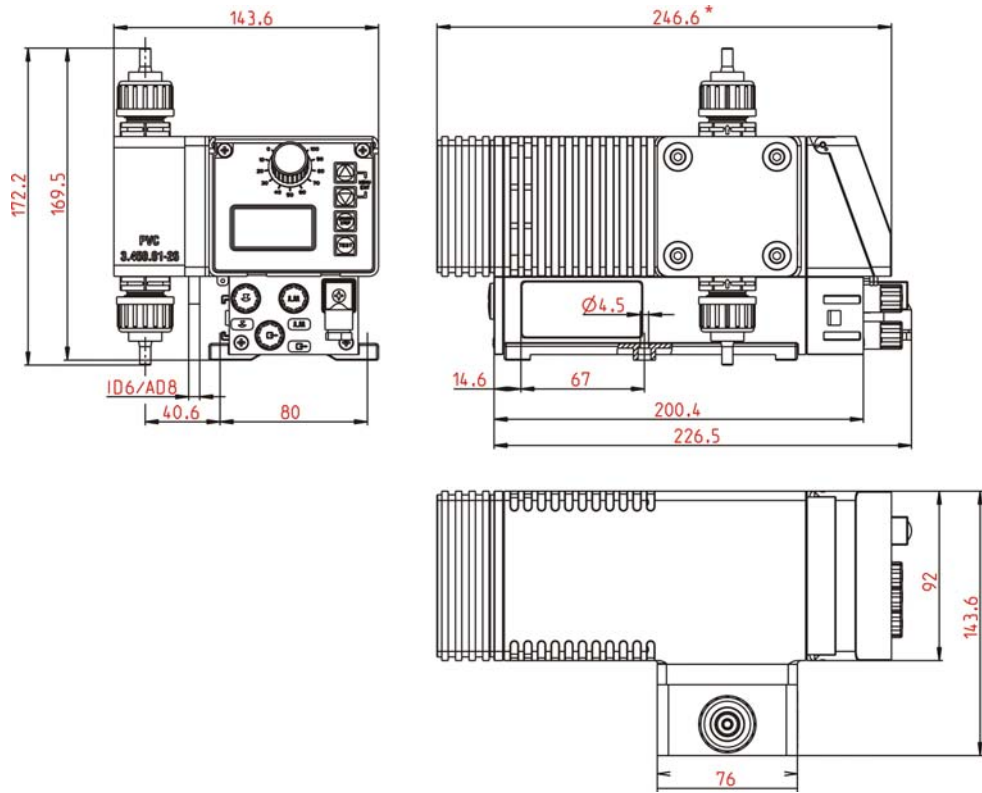
Dimensions (type V3014 – 00112) :



* Linear dimension of types 00072 and 00112 with conventional synchronous motor as shown in the preceding figure (246.6 mm). Linear dimension of types 00072 and 00112 with BLDC motor (recognizable by voltage indication 100-240V on identification plate) identical with types 00014 up to 00043 (218 mm).

Dimensions (type 00240):

Fig. 14.2



* Linear dimension of type 00240 with conventional synchronous motor as shown in the preceding figure (246,6 mm).
 Linear dimension of type 00240 with BLDC-Motor (recognizable by voltage indication 100-240V on identification plate)
 identical with types 00014 up to 00043 (218 mm).