

# VRC - Vacuum Switch Piezo

## Absolute Pressure 1200 to 1 mbar

---



### VRC features at a glance

- Chemically resistant ceramic sensor with FKM sealing, FFKM sealing on request
- Potential-free relay switch point (switch-over relay)
- High reliability
- Excellent reproducibility
- Connection to vacuum source by KF small flange or G1/4 female thread
- After detaching the top the switch point is exactly adjustable over the whole range by means of a potentiometer
- Vacuum compatible connection
- Robust metal housing with IP54 protection class

### Typical applications

- Control of vacuum appliances
- Operational control of vacuum pumps and plants
- Security switching
- Additional pump switching
- Pressure control in the rough vacuum range, e. g. for vacuum furnaces or control and regulation boards
- Process engineering
- Plant construction

# VRC - Vacuum Switch Piezo

## Absolute Pressure 1200 to 1 mbar



### Technical Data

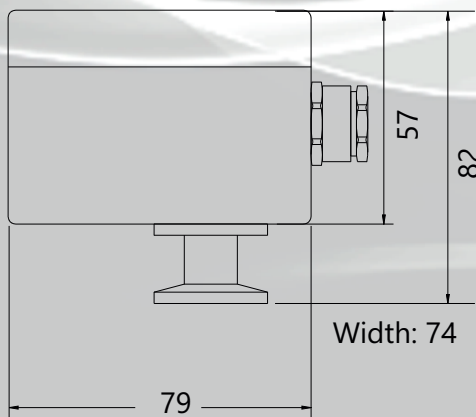
Measuring Principle	Piezo resistive, independent of gas type
Materials With Vac. Contact	Stainless steel 1.4305, Al <sub>2</sub> O <sub>3</sub> , FKM (FFKM on request)
Measurement Range	1200 - 1 mbar (1050 - 4 Torr), max. overpressure: 4 bar absolute
Set-Point Range	VRC: 10 - 1200 mbar VRCI: 5 - 1200 mbar
Accuracy	+/-0.3% full scale
Setting Time	20 ms
Power Supply	18 - 30 VDC
Electrical Connection	Phoenix screw terminals
Power Consumption	Without relay 50 mA, with relay 70 mA
Operating Temperature	0...+40°C
Storage Temperature	-10...+60°C
Recorder Output	Actual value 0 - 12 V (10 mV/mbar), max. 5 mA
Switch Point	Set point output 0 - 1.2 V (1 mv / mbar), alternating relay contact 230 V, 5 A,  VRC: 20 hPa/Hysteresis -7 mbar (standard, others on request) VRCI: 20 hPa, Hysteresis +4 mbar (standard, others on request)
Vacuum Connection	Stainless steel small flange DN 16 ISO-KF, G1/4 female thread
Protection Class	IP54
Weight	Approx. 450 g

# VRC - Vacuum Switch Piezo

## Absolute Pressure 1200 to 1 mbar



### Dimensions in mm



### Model designations

- VRC DN 16 ISO-KF with G1/4 female thread, stainless steel  
Set-Point range: 10 - 1200 hPa,  
Set point ex works: 20 hPa, Hysteresis -7 hPa
- VRCI DN 16 ISO-KF with G1/4 female thread, stainless steel, inverted switching logic,  
Set-Point range: 5 - 1200 hPa,  
Set point ex works: 20 hPa, Hysteresis +4 hPa
- SERVICESP Switch-Point default setting upon customer request

