

IU-XL SERIES LOW-CLEARANCE WRENCH



Inline ratcheting wrenches require minimum clearance while applying torque on the same plane as the nut.

Our patented design reduced the dimensions of the inline ratcheting head, and now it fits almost any application.

IU-XL Series capacities range from 100 to 50,000 foot pounds of torque using a 10,000 p.s.i hydraulic pump.

INLINE DRIVE

Standard fractional head sizes from $\frac{3}{4}$ " to $7\frac{1}{4}$ " and 19mm to 185mm nuts across the flats. Special sizes are available, too. If you have an application you are unsure about, let us know. We can make it work.

UNIBODY

The design of our wrenches has an inclusive body and cylinder unit. This makes it possible for more of our head sizes to work with more of our tools, giving you freedom in selecting your model. The cylinder is made of TL-T6 lightweight aircraft alloy. Durable, but not heavy.

PATENTED DRIVE PIN DESIGN

Reduces overall dimensions of hex head including a thinner "nose" radius. Fits more applications, including all 57 A.P.I flanges. The spring retaining clip allows for quick and simple changing of the heads.

MULTI-AXIS PORTING

The IU-XL Series tools are the first and only system that allows the swivels to be manually relocated from the top of the tool to the back of the tool using only hand tools.

PISTON ROD

The slotted piston rod always maintains a 90° relationship between itself and the nut. This significantly increases accuracy of the tool while simultaneously reducing the number of moving parts it has inside it.

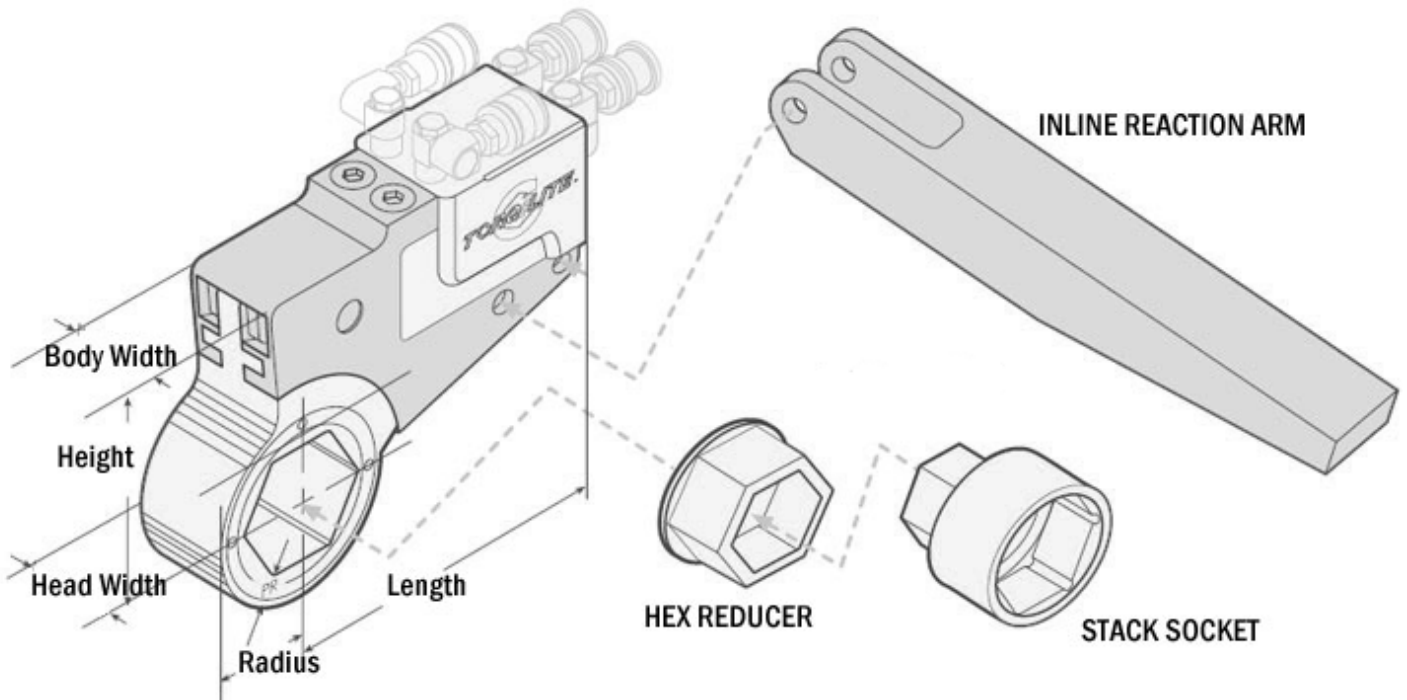
PATENTED 360° SWIVELS

Allow hose movement without hose binding. Nickel-plated steel quick connects, with fewer moving parts, moving in every direction you might need them to – a great improvement to other swivels in the industry.

CALIBRATED

Every tool is tested and calibrated to +/- 0.03 accuracy and +/- 0.01 repeatability traceable to N.I.S.T. standards.

IU-XL SERIES



IU-XL SERIES	MIN/MAX FT./LBS. @10,000 PSI	MIN/MAX NM @700 BAR
IU-1XL	117/1,294	159/1,754
IU-3XL	294/3,074	399/4,168
IU-7XL	667/6,899	904/9,354
IU-10XL	990/9,900	1,342/13,423
IU-17XL	1,513/15,951	2,051/21,627
IU-25XL	2,260/23,620	3,064/32,024
IU-50XL	3,475/44,785	4,711/60,720

LENGTH	HEIGHT	BODY WIDTH	HEAD WIDTH	RANGE	WEIGHT WITH HEAD
6.250"	4.000"	1.100"	.950"	¾" - 2"	7.25 lbs.
7.000"	5.750"	1.450"	1.200"	1¼" - 2 ¹⁵ / ₁₆ "	9.25 lbs.
9.250"	6.250"	1.500"	1.500"	2" - 3 ⁷ / ₈ "	14.00 lbs.
9.750"	8.000"	1.950"	1.950"	2 ³ / ₈ " - 4 ¹ / ₄ "	24.50 lbs.
11.250"	9.250"	1.950"	2.450"	2¾" - 5 ³ / ₈ "	42.00 lbs.
11.250"	9.250"	2.900"	2.950"	3½" - 5¾"	57.00 lbs.
15.375"	10.500"	2.900"	2.950"	4 ⁵ / ₈ " - 7¼"	85.00 lbs.

IU-XL SERIES

LOW CLEARANCE
WRENCH

HEADS

IU-1XL HEADS

ATF	RADIUS	P/R
3/4"	1.07"	0.41"
1-1/16"	1.18"	0.34"
1-1/4"	1.29"	0.34"
1-7/16"	1.40"	0.34"
1-5/8"	1.51"	0.34"
1-13/16"	1.61"	0.34"
2"	1.72"	0.34"

IU-3XL HEADS

ATF	RADIUS	P/R
1-1/4"	1.38"	0.35"
1-7/16"	1.46"	0.35"
1-5/8"	1.57"	0.35"
1-13/16"	1.70"	0.40"
1-7/8"	1.79"	0.46"
2"	1.79"	0.40"
2-3/16"	1.90"	0.40"
2-3/8"	1.97"	0.40"
2-9/16"	2.12"	0.46"
2-3/4"	2.24"	0.46"
2-15/16"	2.36"	0.46"

IU-7XL HEADS

ATF	RADIUS	P/R
2"	1.80"	0.47"
2-3/16"	1.88"	0.47"
2-3/8"	2.02"	0.47"
2-9/16"	2.15"	0.47"
2-3/4"	2.40"	0.55"
2-15/16"	2.55"	0.50"
3-1/8"	2.62"	0.55"
3-1/2"	2.85"	0.63"
3-7/8"	3.04"	0.60"

IU-10XL HEADS

ATF	RADIUS	P/R
2-3/8"	2.02"	0.45"
2-9/16"	2.15"	0.47"
2-3/4"	2.40"	0.55"
2-15/16"	2.55"	0.50"
3-1/8"	2.62"	0.55"
3-1/2"	2.85"	0.85"
3-7/8"	3.07"	0.85"
4-1/4"	3.26"	0.85"

IU-17XL HEADS

ATF	RADIUS	P/R
2-3/4"	2.50"	0.90"
2-15/16"	2.62"	0.90"
3-1/8"	2.70"	0.90"
3-1/2"	2.90"	0.90"
3-7/8"	3.18"	0.95"
4-1/4"	3.35"	0.96"
4-5/8"	3.58"	0.96"
5"	3.90"	1.00"
5-3/8"	4.10"	1.00"

IU-25XL HEADS

ATF	RADIUS	P/R
3-1/2"	2.90"	0.87"
3-7/8"	3.18"	0.95"
4-1/4"	3.35"	0.90"
4-5/8"	3.58"	0.90"
5"	3.85"	0.96"
5-3/8"	4.10"	1.00"
5-3/4"	4.32"	1.02"

IU-50XL HEADS

ATF	RADIUS	P/R
4-5/8"	3.92"	1.25"
5"	4.13"	1.25"
5-3/8"	4.35"	1.25"
5-3/4"	4.57"	1.25"
6-1/8"	4.78"	1.25"
6-1/2"	5.00"	1.25"
6-7/8"	5.22"	1.25"
7-1/4"	5.43"	1.25"

IU-XL SERIES

LOW CLEARANCE
WRENCH

HEADS

IU-1XL HEADS

ATF	RADIUS	P/R
19mm	27mm	10mm
27mm	30mm	9mm
32mm	33mm	9mm
37mm	36mm	9mm
41mm	38mm	9mm
46mm	41mm	9mm
51mm	44mm	9mm

IU-3XL HEADS

ATF	RADIUS	P/R
32mm	35mm	9mm
37mm	37mm	9mm
41mm	40mm	9mm
46mm	43mm	10mm
48mm	45mm	12mm
51mm	45mm	10mm
56mm	48mm	10mm
60mm	50mm	10mm
65mm	54mm	12mm
70mm	57mm	12mm
75mm	60mm	12mm

IU-7XL HEADS

ATF	RADIUS	P/R
51mm	46mm	12mm
56mm	48mm	12mm
60mm	51mm	12mm
65mm	55mm	12mm
70mm	61mm	14mm
75mm	65mm	13mm
76mm	67mm	16mm
86mm	72mm	16mm
95mm	77mm	16mm

IU-10XL HEADS

ATF	RADIUS	P/R
60mm	51mm	11mm
65mm	55mm	12mm
70mm	61mm	14mm
75mm	65mm	13mm
76mm	67mm	16mm
86mm	72mm	24mm
95mm	78mm	24mm
105mm	83mm	24mm

IU-17XL HEADS

ATF	RADIUS	P/R
70mm	64mm	23mm
75mm	67mm	23mm
76mm	69mm	25mm
86mm	74mm	25mm
95mm	81mm	26mm
105mm	85mm	26mm
115mm	91mm	26mm
125mm	99mm	26mm
135mm	104mm	26mm

IU-25XL HEADS

ATF	RADIUS	P/R
86mm	74mm	24mm
95mm	81mm	26mm
105mm	85mm	25mm
115mm	91mm	25mm
125mm	98mm	25mm
135mm	104mm	26mm
145mm	110mm	28mm

IU-50XL HEADS

ATF	RADIUS	P/R
115mm	100mm	33mm
125mm	105mm	33mm
135mm	110mm	33mm
145mm	116mm	32mm
155mm	121mm	32mm
165mm	127mm	32mm
175mm	133mm	32mm
185mm	138mm	32mm