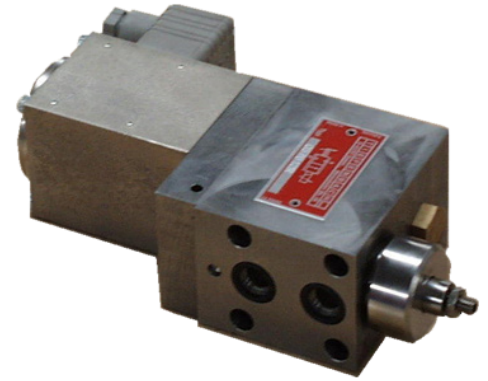


## 2/2 dir. Contr. Proportional valve in seat construction

### NW3 and NW6 for HFA and water

- Hermetically sealed off in blocked position
- No internal leakages
- Actuation magnet protected against dirt
- humidity
- Wear parts are easy to access and fast to replace
- Direct-controlled seat valve operated by proportional magnet
- The proportional valve can be driven by a position control card BLS1



## TECHNICAL DATA

### Application

direct-controlled 2 way proportional seat valve for the constant control of group HFA and clear water pressure media

### Function

A constant electric input signal is converted into a proportional valve opening stroke by means of a proportional magnet. The volume flow is determined by the opening cross-section and the pressure difference on the valve. In their standard version the valves are closed when re-energized.

### Type

direct-controlled ball seat valve

### Sealing

Ball on seat

### Medium

HFA, clear water

### Connections

plate mounting with O ring seal

### Operating temperature

+5° C to +55° C

### Mounted pos.

any

Operating pressure

max. 320 bar

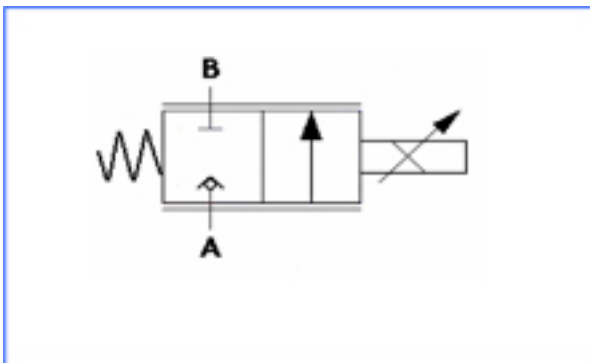
### Flow rate

max. 15l (3,5l) / min for NW 6 (NW 3)

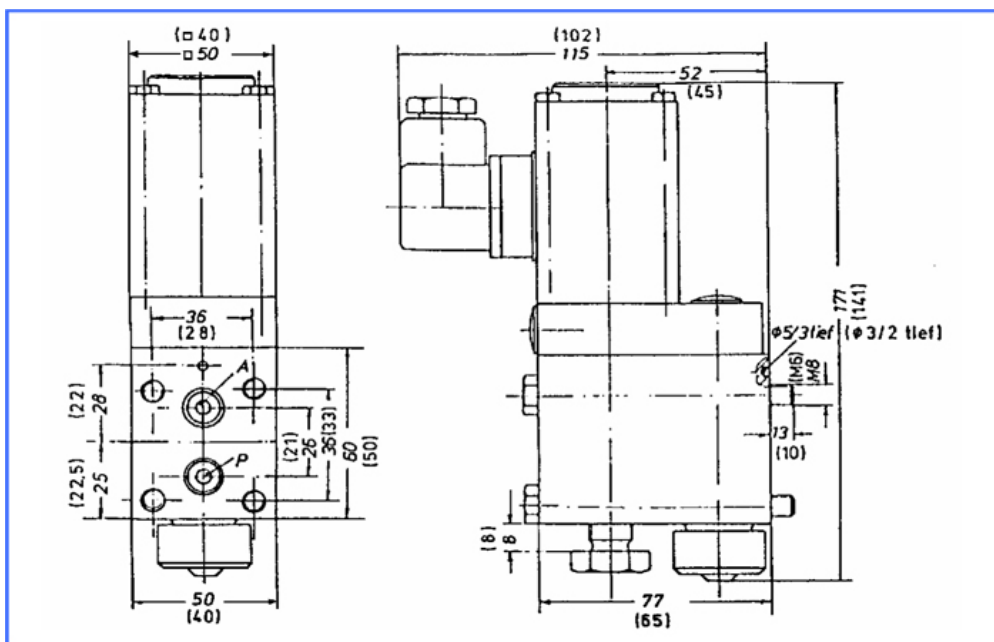
### Operating voltage

24 V DC

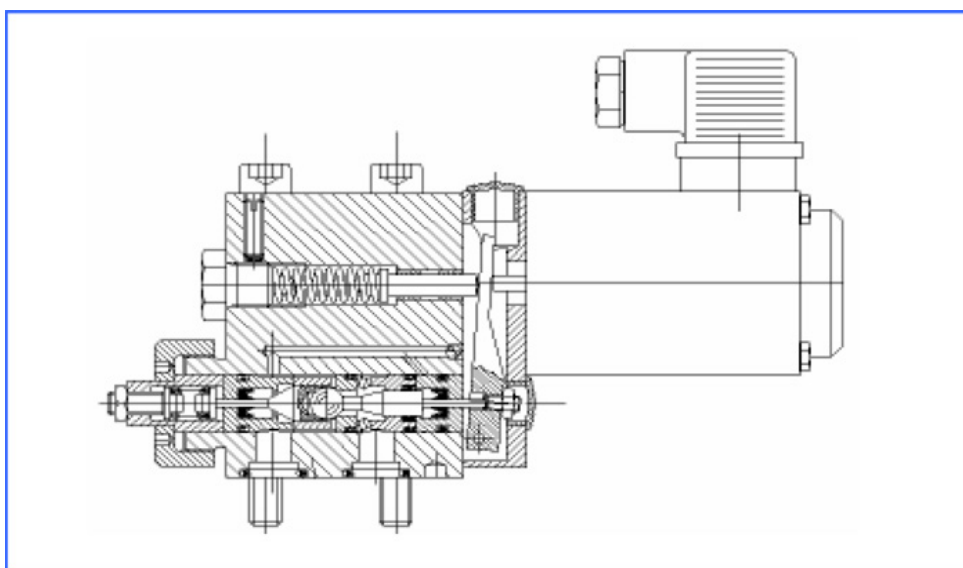
## FUNCTION SCREEN



\* Circuit diagram



\* Dim. diagram (values in brackets NW 3)



\* Function screen