

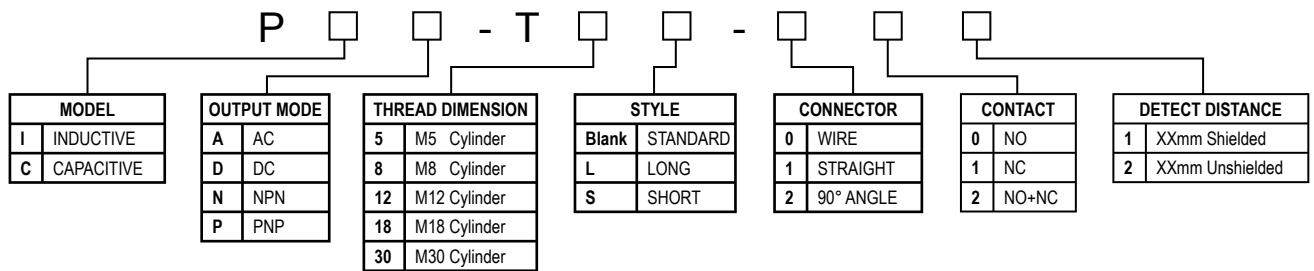
M30 - Long Housing - Capacitive Sensor



Features:

- Capacitive sensor, style: cylinder shape, diameter: 30mm.
- DC 2-wire (10-30V DC), DC 3-wire (10-30V DC), DC 4-wire (10-30V DC), AC 2-wire (90-250V AC), *DC 2-wire (5V DC) also available
- Mounting distance: 15.0mm and 25.0mm unshielded
- With LED operation indicate lamp, easily identifiable
- Brass chrome plated, proof of oil, water acid, alkaline
- Standard sensing object: ferrous metals
- Protection rate: IP67, water resistant
- Over-current protection
- Widely applied in measuring, Counting, Rpm measuring in mechanism, chemical, paper manufacture light industry, etc.

ORDERING CODE INFORMATION



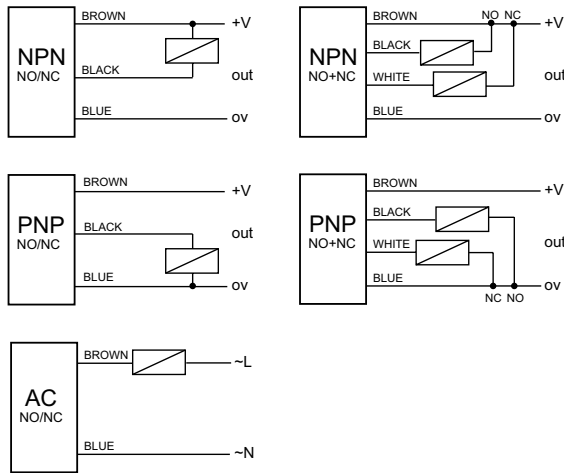
ORDERING CODES

Model and Type	Output Type	Mounting Distance	Current Output	Power Supply	Connector Model
PCN-T30L-002	NPN NO	15mm UNSHIELDED	≤ 200mA	DC 10-30V	3 WIRE
PCN-T30L-012	NPN NC	15mm UNSHIELDED	≤ 200mA	DC 10-30V	3 WIRE
PCN-T30L-022	NPN NO + NC	15mm UNSHIELDED	≤ 200mA	DC 10-30V	4 WIRE
PCN-T30L-102	NPN NO	15mm UNSHIELDED	≤ 200mA	DC 10-30V	STRAIGHT PLUG IN CONNECTOR
PCN-T30L-112	NPN NC	15mm UNSHIELDED	≤ 200mA	DC 10-30V	STRAIGHT PLUG IN CONNECTOR
PCN-T30L-122	NPN NO + NC	15mm UNSHIELDED	≤ 200mA	DC 10-30V	STRAIGHT PLUG IN CONNECTOR
PCN-T30L-202	NPN NO	15mm UNSHIELDED	≤ 200mA	DC 10-30V	90 DEGREE PLUG IN CONNECTOR
PCN-T30L-212	NPN NC	15mm UNSHIELDED	≤ 200mA	DC 10-30V	90 DEGREE PLUG IN CONNECTOR
PCN-T30L-222	NPN NO + NC	15mm UNSHIELDED	≤ 200mA	DC 10-30V	90 DEGREE PLUG IN CONNECTOR
PCP-T30L-002	PNP NO	15mm UNSHIELDED	≤ 200mA	DC 10-30V	3 WIRE
PCP-T30L-012	PNP NC	15mm UNSHIELDED	≤ 200mA	DC 10-30V	3 WIRE
PCP-T30L-022	PNP NO + NC	15mm UNSHIELDED	≤ 200mA	DC 10-30V	4 WIRE
PCP-T30L-102	PNP NO	15mm UNSHIELDED	≤ 200mA	DC 10-30V	STRAIGHT PLUG IN CONNECTOR
PCP-T30L-112	PNP NC	15mm UNSHIELDED	≤ 200mA	DC 10-30V	STRAIGHT PLUG IN CONNECTOR
PCP-T30L-122	PNP NO + NC	15mm UNSHIELDED	≤ 200mA	DC 10-30V	STRAIGHT PLUG IN CONNECTOR
PCP-T30L-202	PNP NO	15mm UNSHIELDED	≤ 200mA	DC 10-30V	90 DEGREE PLUG IN CONNECTOR
PCP-T30L-212	PNP NC	15mm UNSHIELDED	≤ 200mA	DC 10-30V	90 DEGREE PLUG IN CONNECTOR
PCP-T30L-222	PNP NO + NC	15mm UNSHIELDED	≤ 200mA	DC 10-30V	90 DEGREE PLUG IN CONNECTOR
PCA-T30L-002	AC NO	25mm UNSHIELDED	≤ 300mA	AC 90-250V	2 WIRE
PCA-T30L-012	AC NC	25mm UNSHIELDED	≤ 300mA	AC 90-250V	2 WIRE
PCA-T30L-102	AC NO	25mm UNSHIELDED	≤ 300mA	AC 90-250V	STRAIGHT PLUG IN CONNECTOR
PCA-T30L-112	AC NC	25mm UNSHIELDED	≤ 300mA	AC 90-250V	STRAIGHT PLUG IN CONNECTOR
PCA-T30L-202	AC NO	25mm UNSHIELDED	≤ 300mA	AC 90-250V	90 DEGREE PLUG IN CONNECTOR
PCA-T30L-212	AC NC	25mm UNSHIELDED	≤ 300mA	AC 90-250V	90 DEGREE PLUG IN CONNECTOR

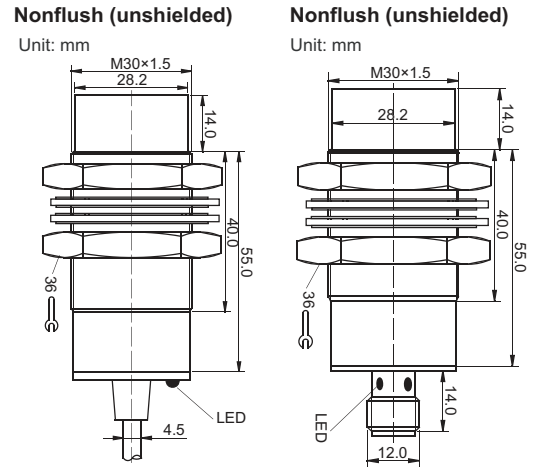
TECHNICAL SPECIFICATIONS

Property Project	Specific Parameter
Mounting Distance	15mm and 25mm unshielded
Sensing Distance	0...13.5mm and 0...22.5mm
Power Supply	DC 10-30V / AC 90-250V
Frequency	30Hz/10Hz (DC 3/2 wires) / 10Hz (AC 2 wires)
Current Output	200mA/300mA
Ambient Temperature	-25°C-70°C
Against Polarity Reversal	YES
IP Rating	IP67

ELECTRICAL CONNECTION

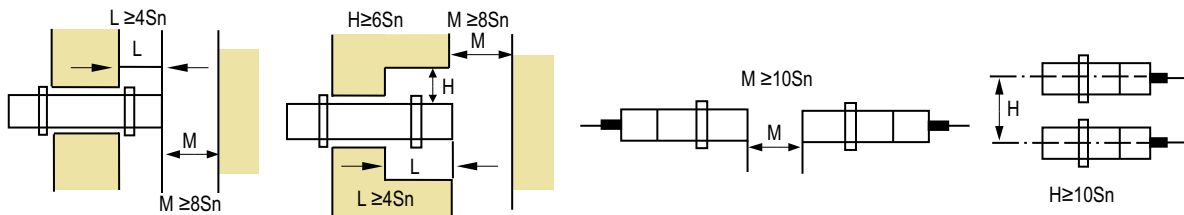


PICTURE OF PRODUCT



INSTALLATION

If used in an area surrounded by metal, Install the proximity Sensor as follows . (Sn = Sensing distance)

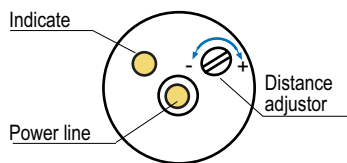


CAPACITIVE PROXIMITY SENSOR MOUNTING DISTANCE SETTING

- Capacitive proximity sensors can measure both metal and non-metalic objects, such as iron, water, oil, glass, plastic, etc... The mounting distance will vary depending on the material being sensed, Due to differing object conductivity, permittivity, and water absorption. If the metal connects with ground (GND) then maximum sensing distance will be achieved.
- Table F6.1 shows how the mounting distance will change depending on material being sensed.
- The mounting distance of CPS Capacitive proximity sensor can be adjusted. This must be adjusted before installation, not after. Please refer to F6.2
- When operating, the Capacitive proximity sensor should be kept well away from high frequency electromagnetism, for example ultrasonics, and high frequency welding machines.

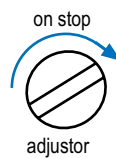
F6.1

Material	Mounting distance
Iron	100%
Milk	60%
Salt	40%
Granulated sugar	30%
Glass	20%



- Adjustor turns right Sn increases, turns left Sn decreases, the circle of Sn adjustor about ten

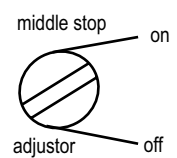
F6.2



- Without object ,turn adjustor right to the on stop



- Approaching object, turn adjustor left to the off stop



- At last set the adjust in the middle of on and off position

REV. NO.

B

REVISION NOTE

Datasheet Update

DATE

Jan 2009

SIGNATURE

LG

As part of the company policy of continued product improvement, specifications may change without notice. Our sales office will be pleased to help you with the latest information on this product range and the details of our full design and manufacturing service. All products are supplied to our standard conditions of sale unless otherwise agreed in writing.

© 2009 Copyright Comus International, Inc.

Publisher: Lilia I Garay, Graphic Designer

Comus International, 454 Allwood Rd. Clifton, NJ 07012 USA. Website: www.comus-intl.com

USA: +(1) 973 777 6900 - UK: +44 (0) 1255 862236 - Belgium: + 32 (0)12 390400 - France: + 33 (0) 1 43 96 86 10

FORM AE043 ISS.2



ISO 9001:2000
Reg. No FM 21080

TAKE A LOOK AT OUR VARIETY OF PRODUCTS

