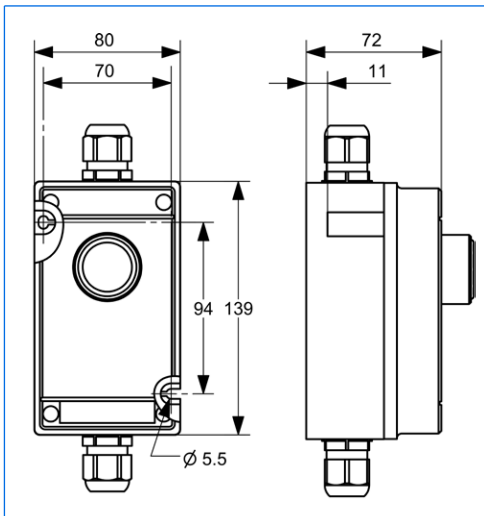




# Timers for sightglass light fittings, series U3 for use in hazardous areas



Timer type U3-230, housing in glass fibre reinforced polyester resin, nominal rating 230 V AC



Dimensions

Branch office / exclusive agent:

All dimensions in mm. Subject to changes without preliminary notice.



## Application:

The timers of the series U3 serve as external devices for the remote timed operation of sightglass light fittings of the series CHEMLUX, EdellUX and fibroLUX. Their use may considerably reduce energy consumption and maintenance costs involved with bulb changes.

Installation is easily made by wiring the unit into the power supply cable.

The electronic timer module is normally set in our workshops for a period of ca. 5 minutes, but other periods of operation (10 or 15 minutes) may be requested. The required period must be clearly stated at the time of order.

The high switching capacity allows for the connection of more than one light fitting to one unit, particularly on apparatuses fitted with multiple light.

The ATEX equipment protection level (EPL) is **Gb (zones 1 and 2) and Db (zones 21 and 22)** which allows for universal application in designated hazardous locations.

Short lead times are guaranteed by our ample stock.

## Technical data:

Declaration of conformity of the timer module	SEV 12 ATEX 0105 U
Ignition protection degree of the timer module	Ex II 2 G + D, Ex d e IIC T6 Gb, Ex t IIIC T80°C Db
Protection mode of the housing	IP 65 to EN 60529 / DIN VDE 0470 part 1
Nominal ratings	230 / 240 V AC, 24 V AC, 24 V DC
Ambient temperature	- 20 °C to + 40 °C
Connections	Max. 2,5 mm <sup>2</sup>
Outgoing contact	1 closing contact
Max. current	4 A
Housing	Glass fibre reinforced polyester resin

Do you wish for more information about our wide range of light fittings for use in hazardous and safe areas, about our range of circular sightglasses to DIN 28120/28121, screwed sightglasses similar to DIN 11851, rectangular or D-ended sightglasses, pipeline flow indicators, centrally or sideways operated wipers, hinged sightglasses, spraying devices or our complete sight and lightglass units VETROLUX®? Are you interested in other types, special versions or different protection degrees? If yes, please contact us, our branch office or our local agents – it is our business! You will find the necessary indications about our sales network on the Internet.

# MAX MÜLLER AG

PROCESS ILLUMINATION AND VISUAL OBSERVATION SYSTEMS

Hagmattstrasse 19 • CH - 4123 Allschwil / Switzerland

Telephone +41 61 487 92 92 • Telefax +41 61 487 92 99

www.maxmuellerag.com E-Mail: blt@maxmuellerag.com