

15

1501 02

Jack connectors

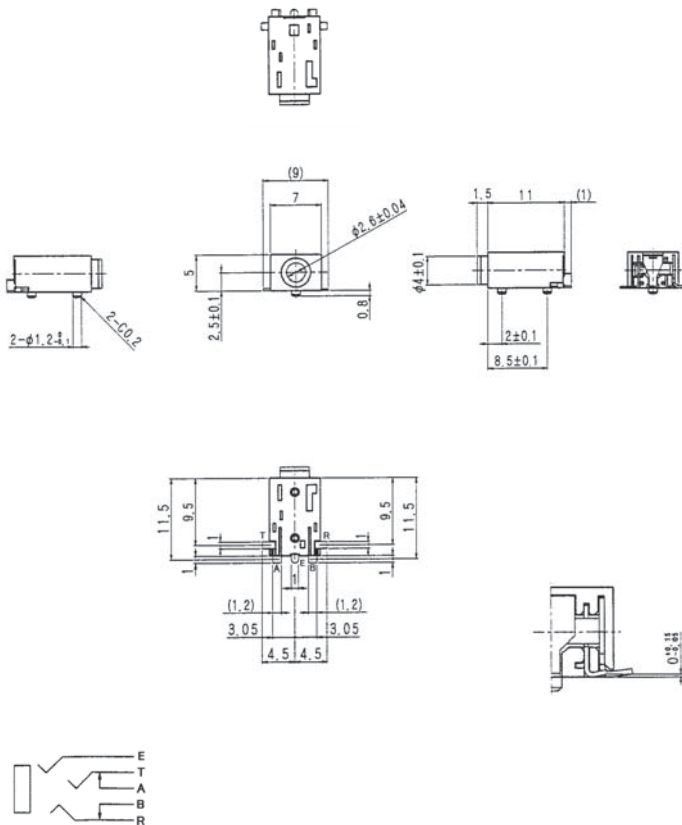


Jack chassis socket acc. to JIS C 6560 JC25J3B, 2.5 mm, 3 poles/stereo, angular version, with 2 break contacts, for printed circuit boards, surface mounting technology (SMT)

State: Active

15

1501 02



Environmental conditions

Temperature range -20 °C/+70 °C

Materials

Insulating body PA, HB according to UL94
Contact spring CuZn/BeCu, nickel-plated/silver-plated

Mechanical data

Mating cycles ≥ 5000
Insertion force 4–20 N
Withdrawal force 4–20 N

Electrical data (at $T_{amb} 20\text{ °C}$)

Contact resistance $\leq 50\text{ m}\Omega$
Rated current 0,5 A
Rated voltage 34 V AC/DC
Rated impulse voltage 500 V/60 s
Insulation resistance $\geq 100\text{ M}\Omega$

Associated products

Counterparts
☑ KLS 13

15

1501 02

Designation	Pole Number	PU (Pieces)	MDQ (Pieces)
1501 02	3	500	500

Packaging:

in bulk, in a cardboard box or a plastic bag