

Centrifugal Fans

A comprehensive range of curved forward bladed centrifugal fans



ACI's fan and blower units are available in a variety of designs including 1 and 3Ph; 400Hz; and ATEX rated versions. All units are engineered for the most demanding applications and can be readily supplied with appropriate control devices and accessories.

Key Performance Figures:

- Flow rates up to 4000m³/hr (2350cfm)
- Pressure up to 48mBar (19In.Swg)
- 0.012kW (0.016HP) to 22kW (29.5HP)
- Reliable and robust construction
- Many configurations / add-ons available
- ATEX versions available

Typical Applications

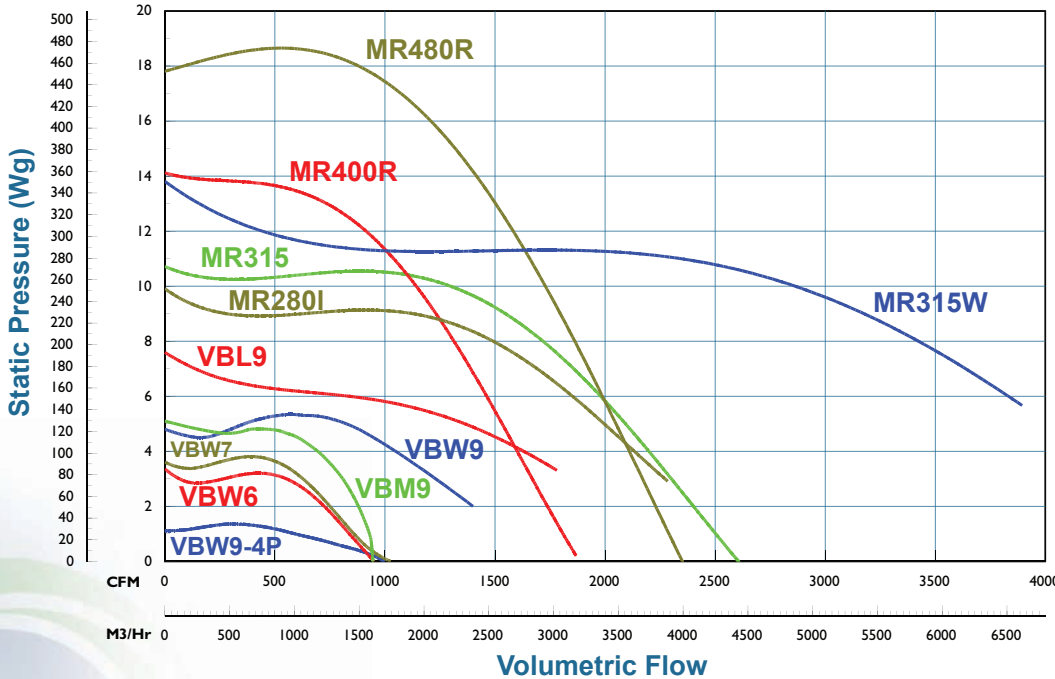
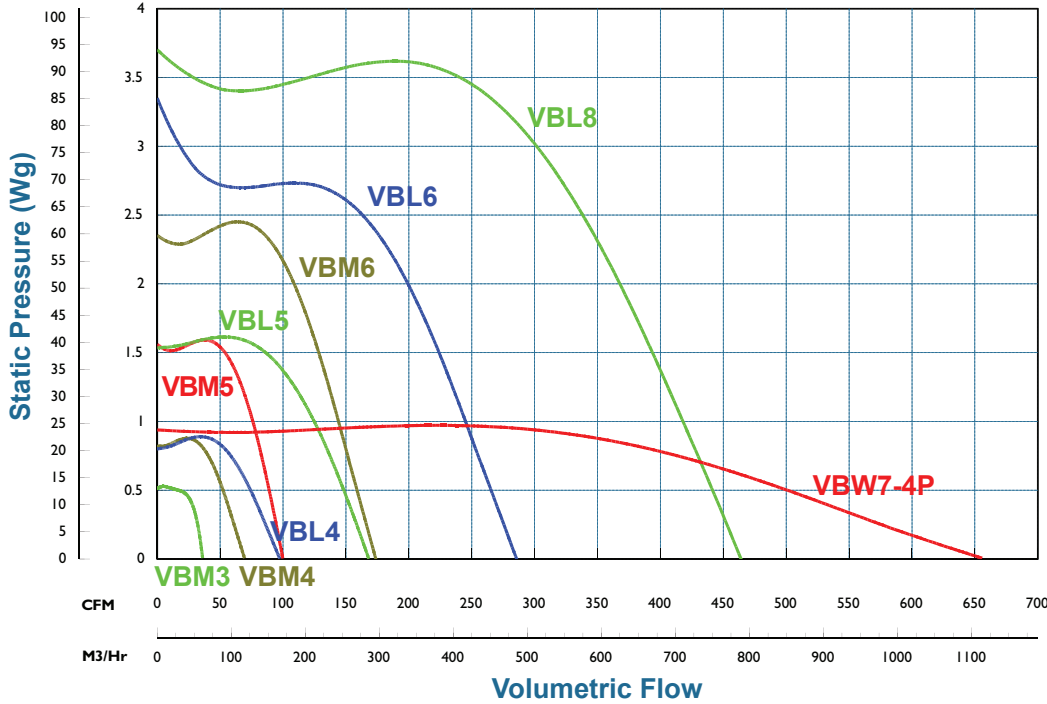
- General Fume Extraction
- Degreasing - Fume Extraction
- Solder Fume Extraction
- Screen Print Dryers
- Crop Drying / Conditioning
- Gas Burners
- Inflatables
- UV Lamp Cooling

Centrifugal Fans

A comprehensive range of curved forward bladed centrifugal fans

50Hz Performance Curves:

The illustrated curves are for 240V 1Ph 50Hz and for selection purposes only. For full performance details please refer to the specific data sheets.



Air Control Industries Ltd
 Weycroft Avenue, Millwey Rise Industrial Estate,
 Axminster, Devon, EX13 5HU, United Kingdom
 Tel: +44(0)1297 529242 Fax: +44(0)1297 529241
 Email: sales@aircontrolindustries.com

www.aircontrolindustries.com

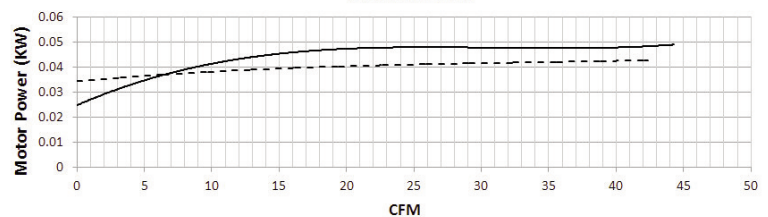
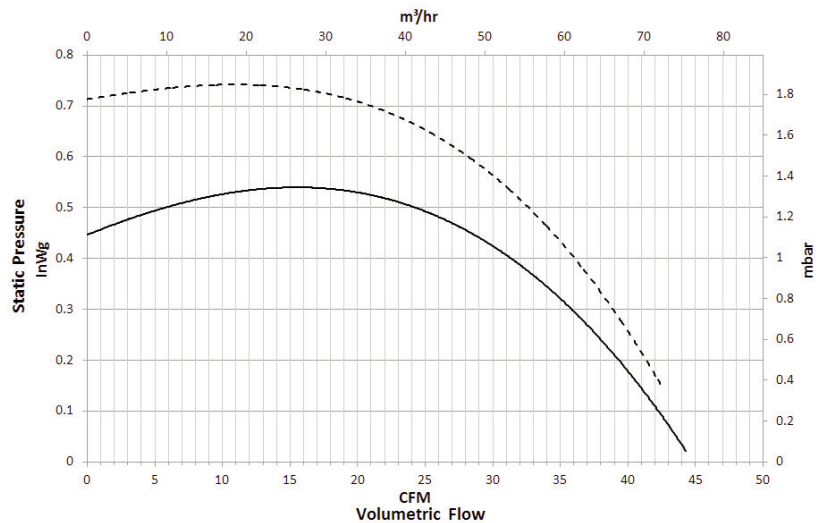
Centrifugal Fan VBM3

Single Inlet Centrifugal Fan

General Characteristics:

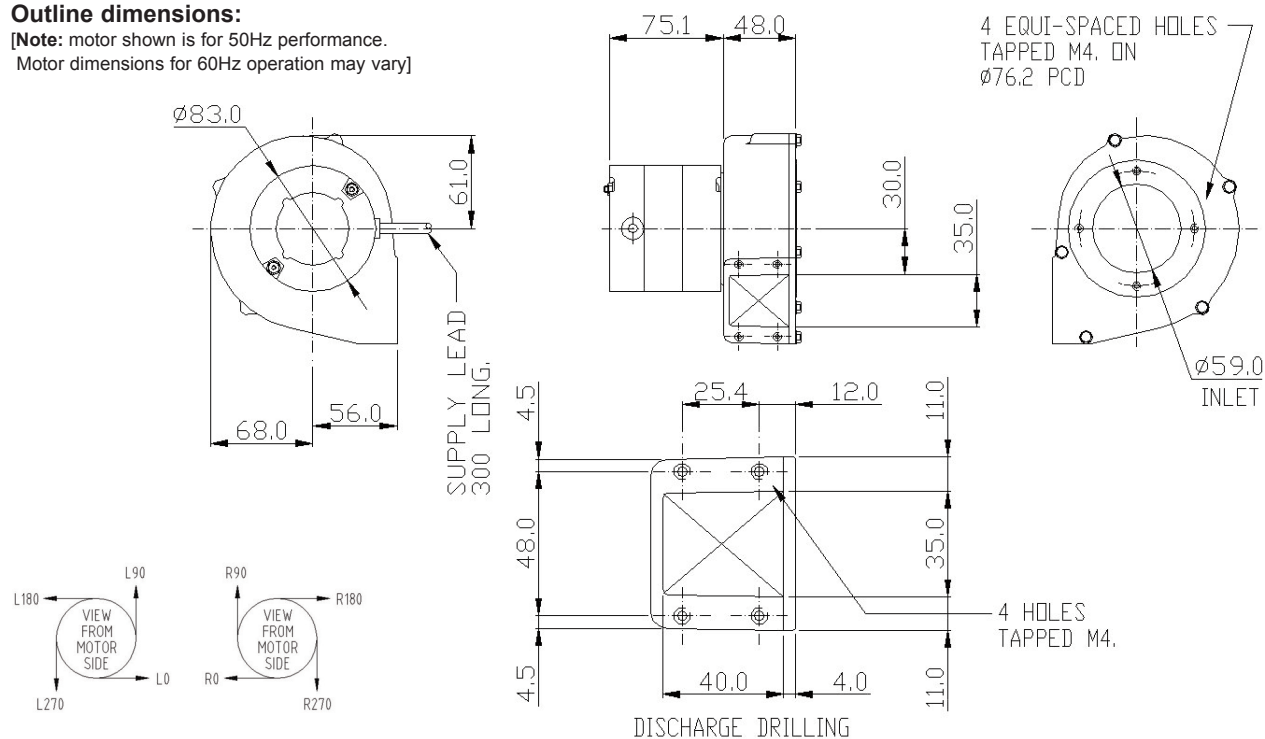


Motor type:	Shaded pole, IP44
Nominal supply:	240V 1Ph 50Hz 110V 1Ph 60Hz
Options:	Inlet & discharge guards
Materials:	Fancase: Cast aluminium LM6 Impellers: Aluminium 1200 H14
Finishes:	Unpainted/Stove enamel (black) as std
Mounting options:	Inlet & discharge tappings
Noise levels:	72.5dB(A) Free Air, 1M
Weight:	1.8Kgs / 3.9Lbs
Motor Variations:	CE, CSA, UL available



Outline dimensions:

[Note: motor shown is for 50Hz performance.
Motor dimensions for 60Hz operation may vary]



Please note:
1 - all drawings measurements are in millimeters (mm)
2 - above technical specifications are subject to change
3 - Images used may not be representative of the fan supplied

AIR CONTROL INDUSTRIES LTD
Weycroft Avenue, Millwey Industrial Estate,
Axminster, Devon, EX13 5HU
t: +44(0)1297 529242 f: +44(0)1297 529241
e: sales@aircontrolindustries.com
w: www.aircontrolindustries.com

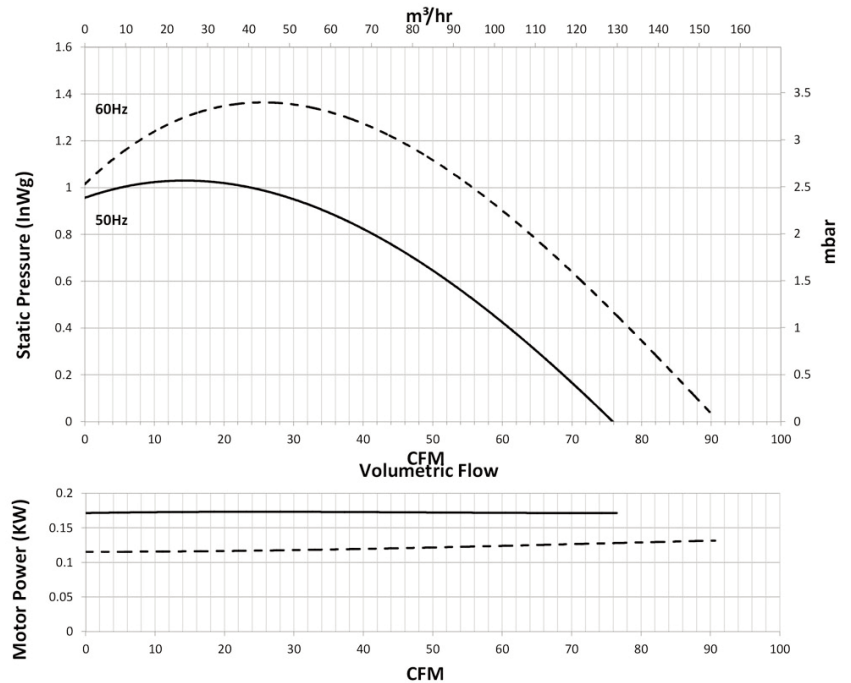
Centrifugal Fan VBM4

Single Inlet Centrifugal Fan

General Characteristics:

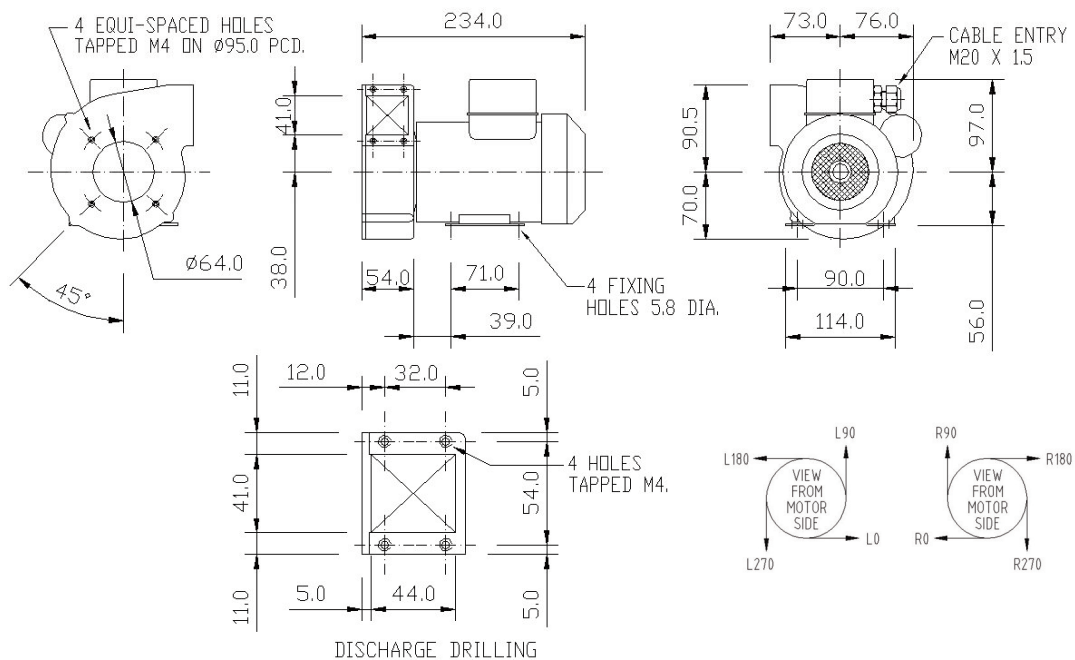


Motor type:	Squirrel cage induction motor IP44 as std, IP55 available
Nominal supply:	240V 1Ph 50Hz 110V 1Ph 60Hz 380-420 / 220-240V 3Ph 50/60Hz
Options:	Inlet & discharge guards, Inlet filters, Spigots, Heat spinners
Materials:	Fancase: Cast aluminium LM6 Impellers: Aluminium 1200 H14
Finishes:	Unpainted/Stove enamel (black) as std
Mounting options:	Inlet & discharge tappings, Motor feet, Pedestals
Noise levels:	67.0dB(A) Free Air, 1M
Weight:	4Kgs / 8.8Lbs
Motor Variations:	ATEX, CE, CSA, UL available



Outline dimensions:

[Note: motor shown is for 50Hz performance.
Motor dimensions for 60Hz operation may vary]



Please note:
1 - all drawings measurements are in millimeters (mm)
2 - above technical specifications are subject to change
3 - Images used may not be representative of the fan supplied

AIR CONTROL INDUSTRIES LTD
Weycroft Avenue, Millwey Industrial Estate,
Axminster, Devon, EX13 5HU
t: +44(0)1297 529242 f: +44(0)1297 529241
e: sales@aircontrolindustries.com
w: www.aircontrolindustries.com

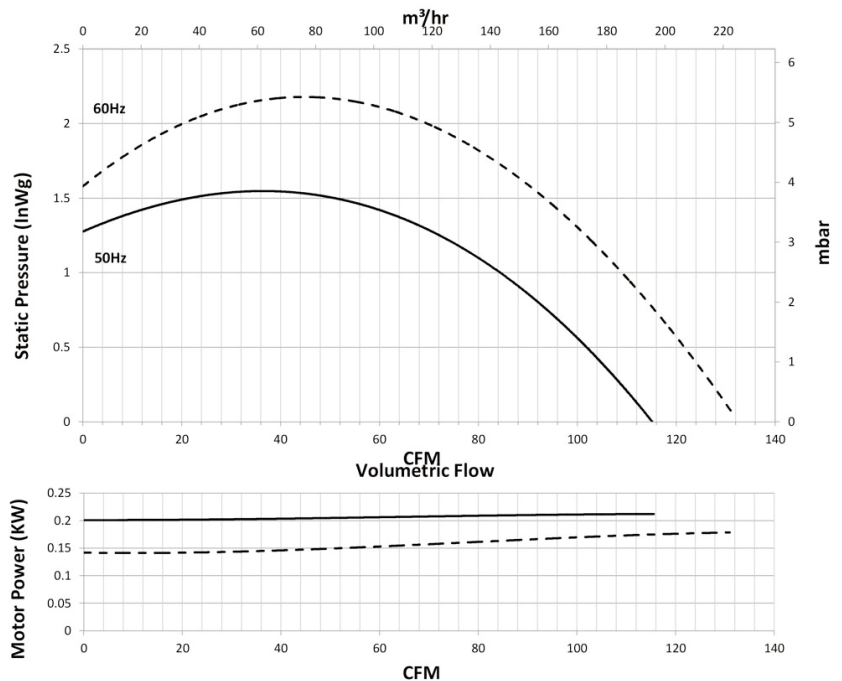
Centrifugal Fan VBM5

Single Inlet Centrifugal Fan

General Characteristics:

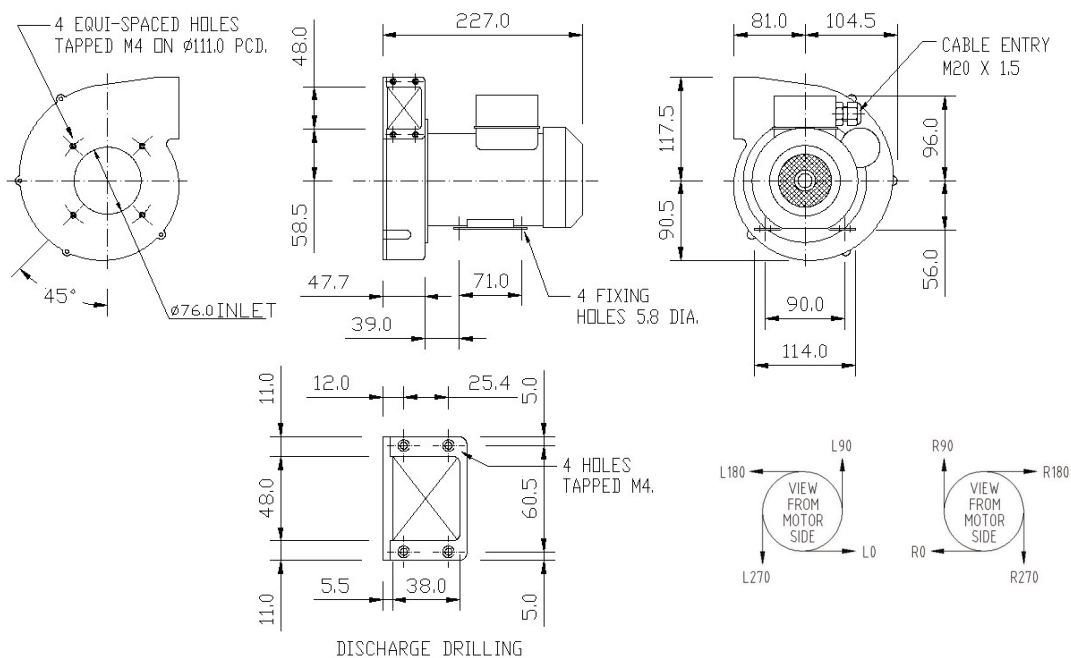


Motor type:	Squirrel cage induction motor IP44 as std, IP55 available
Nominal supply:	230V 1Ph 50/60Hz 110/115V 1Ph 50/60Hz Dual Voltage 3Ph 50/60Hz
Options:	Inlet & discharge guards, Inlet filters, Spigots, Heat spinners
Materials:	Fancase: Cast aluminium LM6 Impellers: Aluminium 1200 H14
Finishes:	Unpainted/Stove enamel (black) as std
Mounting options:	Motor feet or Pedestals
Noise levels:	70dB(A) Free Air, 1M
Weight:	5Kgs / 11Lbs
Motor Variations:	ATEX, CE, CSA, UL available



Outline dimensions:

[Note: motor shown is for 50Hz performance.
Motor dimensions for 60Hz operation may vary]



Please note:
1 - all drawings measurements are in millimeters (mm)
2 - above technical specifications are subject to change
3 - Images used may not be representative of the fan supplied

AIR CONTROL INDUSTRIES LTD
Weycroft Avenue, Millwey Industrial Estate,
Axminster, Devon, EX13 5HU
t: +44(0)1297 529242 f: +44(0)1297 529241
e: sales@aircontrolindustries.com
w: www.aircontrolindustries.com

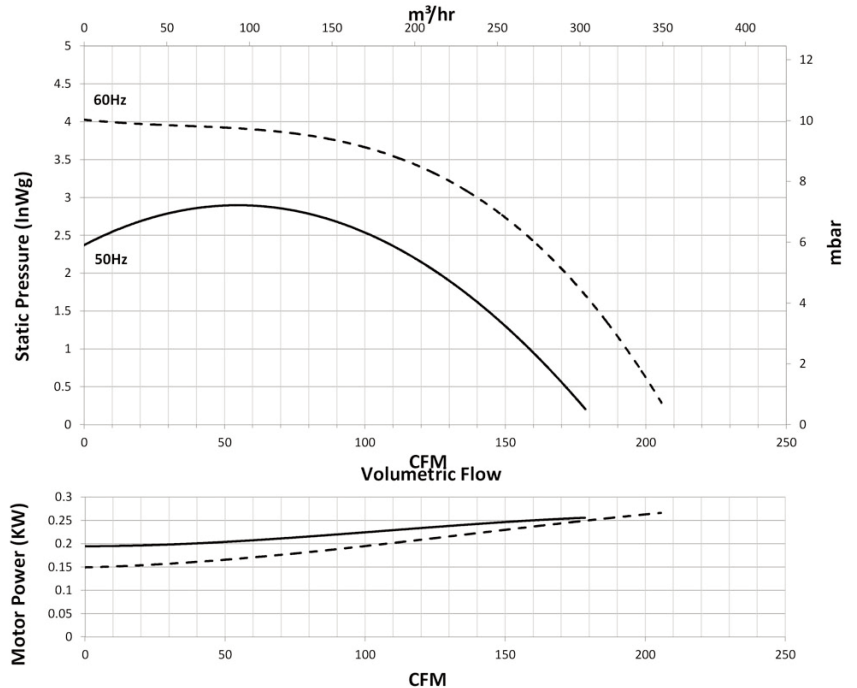
Centrifugal Fan VBM6

Single Inlet Centrifugal Fan

General Characteristics:

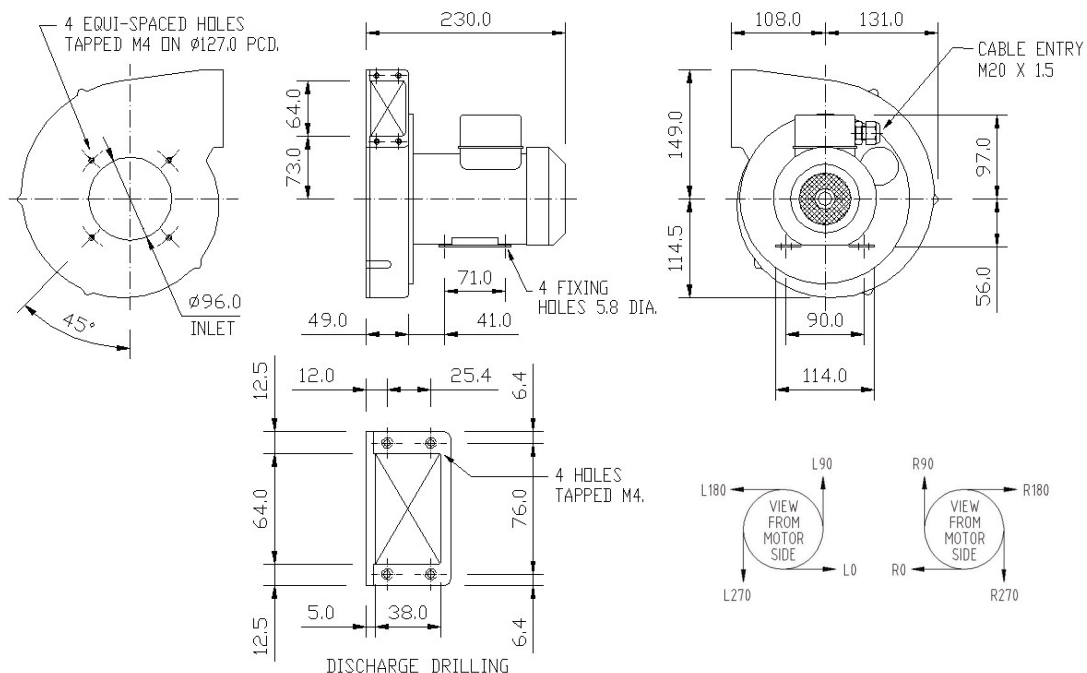


Motor type:	Squirrel cage induction motor IP44 as std, IP55 available
Nominal supply:	230V 1Ph 50/60Hz 110/115V 1Ph 50/60Hz Dual Voltage 3Ph 50/60Hz
Options:	Inlet & discharge guards, Inlet filters, Spigots, Heat spinners
Materials:	Fancase: Cast aluminium LM6 Impellers: Aluminium 1200 H14
Finishes:	Unpainted/Stove enamel (black) as std
Mounting options:	Motor feet or Pedestals
Noise levels:	74.5dB(A) Free Air, 1M
Weight:	6Kgs / 13Lbs
Motor Variations:	ATEX, CE, CSA, UL available



Outline dimensions:

[Note: motor shown is for 50Hz performance.
Motor dimensions for 60Hz operation may vary]



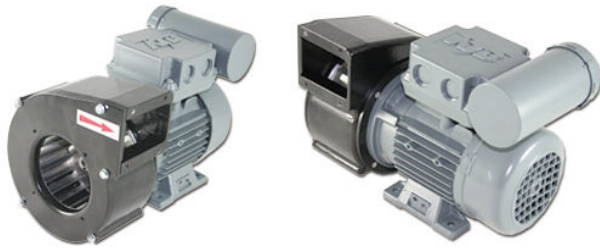
Please note:
1 - all drawings measurements are in millimeters (mm)
2 - above technical specifications are subject to change
3 - Images used may not be representative of the fan supplied

AIR CONTROL INDUSTRIES LTD
Weycroft Avenue, Millwey Industrial Estate,
Axminster, Devon, EX13 5HU
t: +44(0)1297 529242 f: +44(0)1297 529241
e: sales@aircontrolindustries.com
w: www.aircontrolindustries.com

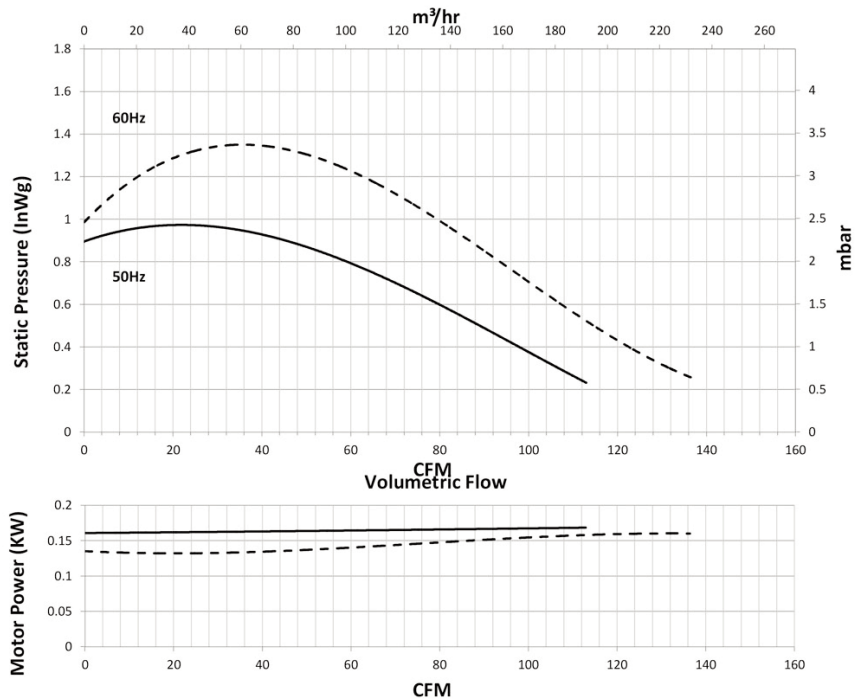
Centrifugal Fan VBL4

Single Inlet Centrifugal Fan

General Characteristics:

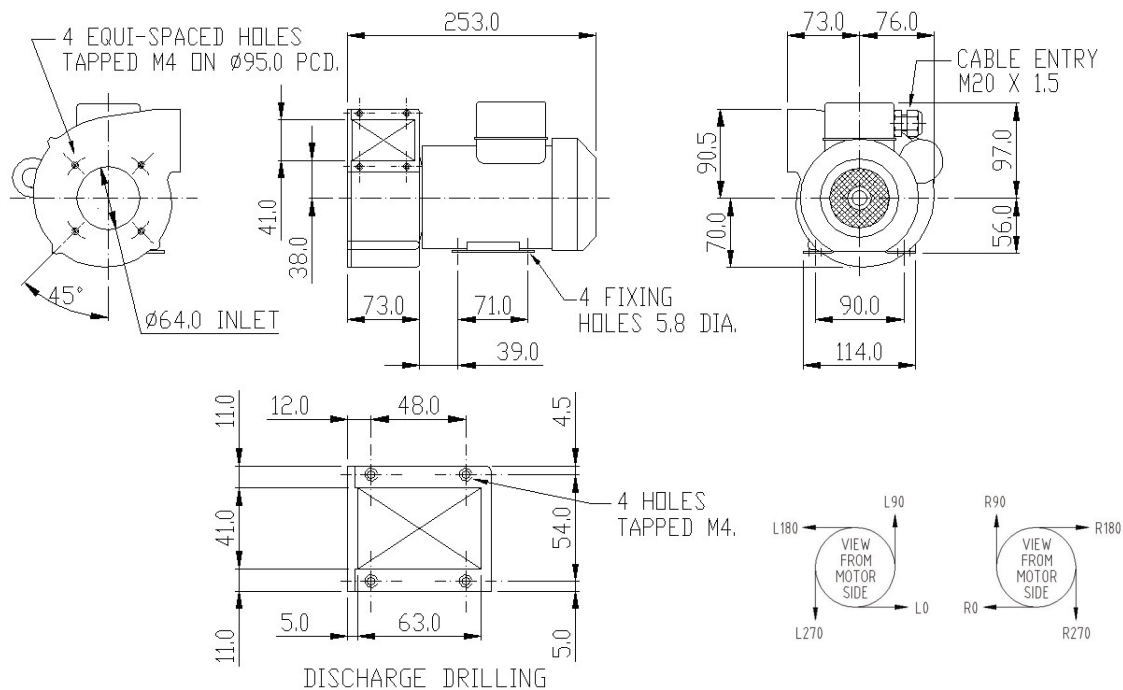


Motor type:	Shaded pole, IP44
Nominal supply:	220/240V or 115V 1Ph 50Hz
Options:	Inlet & discharge guards, Spigots
Materials:	Fancase: Cast aluminium LM6 Impellers: Aluminium 1200 H14
Finishes:	Unpainted/Stove enamel (black) as std
Mounting options:	Inlet & discharge tappings, Motor feet, Pedestals
Noise levels:	61dB(A) Free Air, 1M
Weight:	4.4Kgs / 9Lbs
Motor Variations:	ATEX, CE, CSA, UL available



Outline dimensions:

[Note: motor shown is for 50Hz performance.
Motor dimensions for 60Hz operation may vary]



Please note:
 1 - all drawings measurements are in millimeters (mm)
 2 - above technical specifications are subject to change
 3 - Images used may not be representative of the fan supplied

AIR CONTROL INDUSTRIES LTD
 Weycroft Avenue, Millwey Industrial Estate,
 Axminster, Devon, EX13 5HU
 t: +44(0)1297 529242 f: +44(0)1297 529241
 e: sales@aircontrolindustries.com
 w: www.aircontrolindustries.com

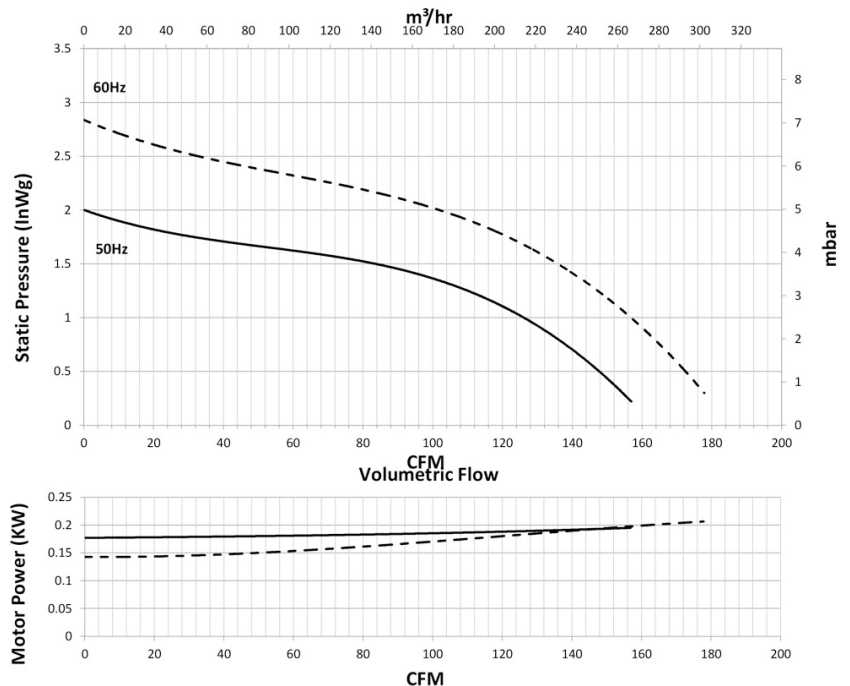
Centrifugal Fan VBL5

Single Inlet Centrifugal Fan

General Characteristics:

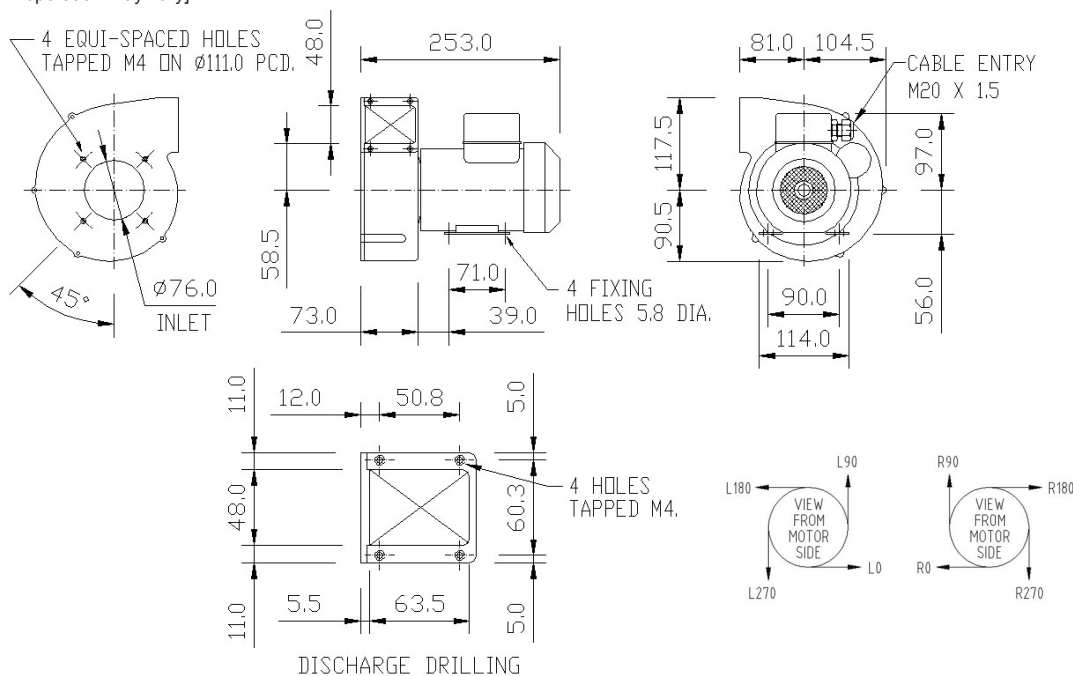


Motor type:	Squirrel cage induction motor IP44 as std, IP55 available
Nominal supply:	220/240V or 115V 1Ph 50/60Hz 380/420VY / 200/240VD 3Ph 50hz 440/480VY / 250/280VD 3Ph 60Hz
Options:	Inlet & discharge guards, Inlet filters, Spigots
Materials:	Fancase: Cast aluminium LM6 Impellers: Aluminium 1200 H14
Finishes:	Unpainted/Stove enamel (black) as std
Mounting options:	Inlet & discharge tappings, Motor feet, Pedestals
Noise levels:	70dB(A) Free Air, 1M
Weight:	5Kgs / 11Lbs
Motor Variations:	ATEX, CE, CSA, UL available



Outline dimensions:

[Note: motor shown is for 50Hz performance.
Motor dimensions for 60Hz operation may vary]



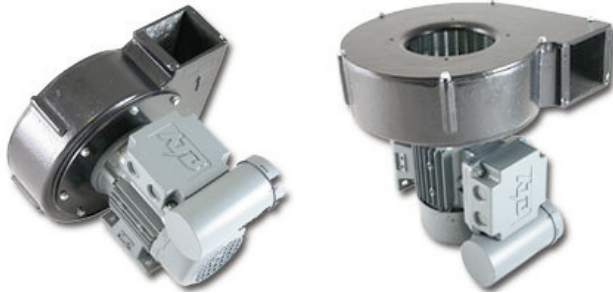
Please note:
1 - all drawings measurements are in millimeters (mm)
2 - above technical specifications are subject to change
3 - Images used may not be representative of the fan supplied

AIR CONTROL INDUSTRIES LTD
Weycroft Avenue, Millwey Industrial Estate,
Axminster, Devon, EX13 5HU
t: +44(0)1297 529242 f: +44(0)1297 529241
e: sales@aircontrolindustries.com
w: www.aircontrolindustries.com

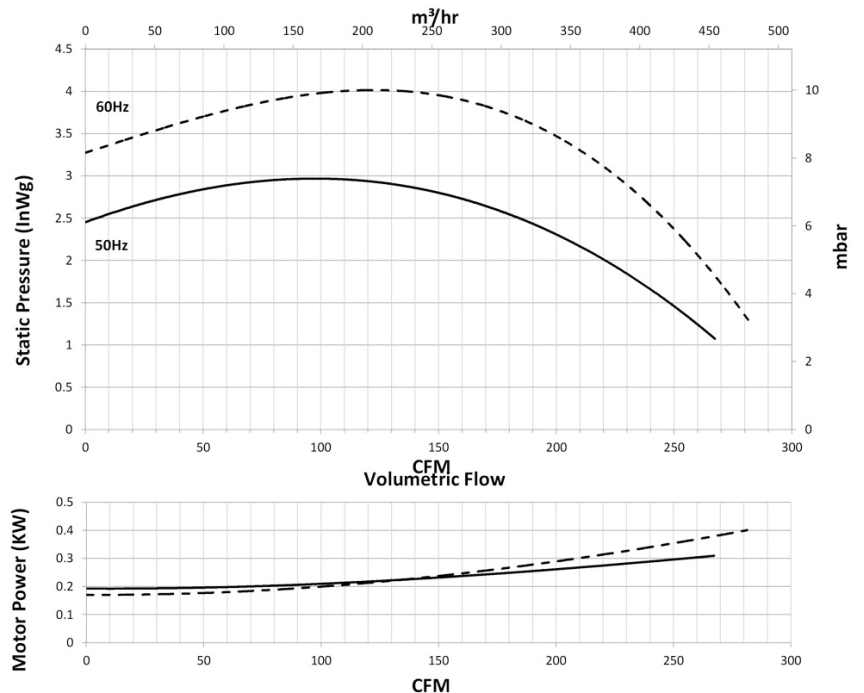
Centrifugal Fan VBL6

Single Inlet Centrifugal Fan

General Characteristics:

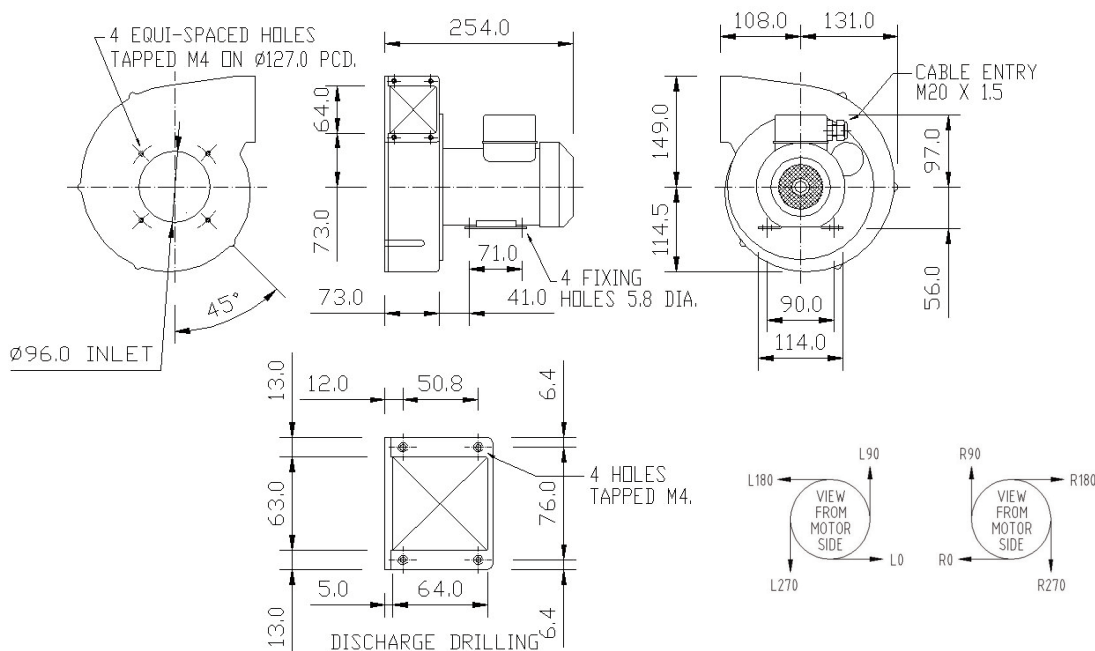


Motor type:	Squirrel cage induction motor IP44 as std, IP55 available
Nominal supply:	220/240V or 115V 1Ph 50Hz 115/230V 1Ph 50/60Hz 380/420VY / 220/240VD 3Ph 50Hz 440/480VY / 250/280VD 3Ph 60Hz
Options:	Inlet & discharge guards, Inlet filters, Spigots
Materials:	Fancase: Cast aluminium LM6 Impellers: Galvanised sheet steel
Finishes:	Unpainted/Stove enamel (black) as std
Mounting options:	Motor feet or Pedestal
Noise levels:	76.5dB(A) Free Air, 1M
Weight:	6Kgs / 13Lbs
Motor Variations:	ATEX, CE, CSA, UL available



Outline dimensions:

[Note: motor shown is for 50Hz performance.
Motor dimensions for 60Hz operation may vary]



Please note:
1 - all drawings measurements are in millimeters (mm)
2 - above technical specifications are subject to change
3 - Images used may not be representative of the fan supplied

AIR CONTROL INDUSTRIES LTD
Weycroft Avenue, Millwey Industrial Estate,
Axminster, Devon, EX13 5HU
t: +44(0)1297 529242 f: +44(0)1297 529241
e: sales@aircontrolindustries.com
w: www.aircontrolindustries.com

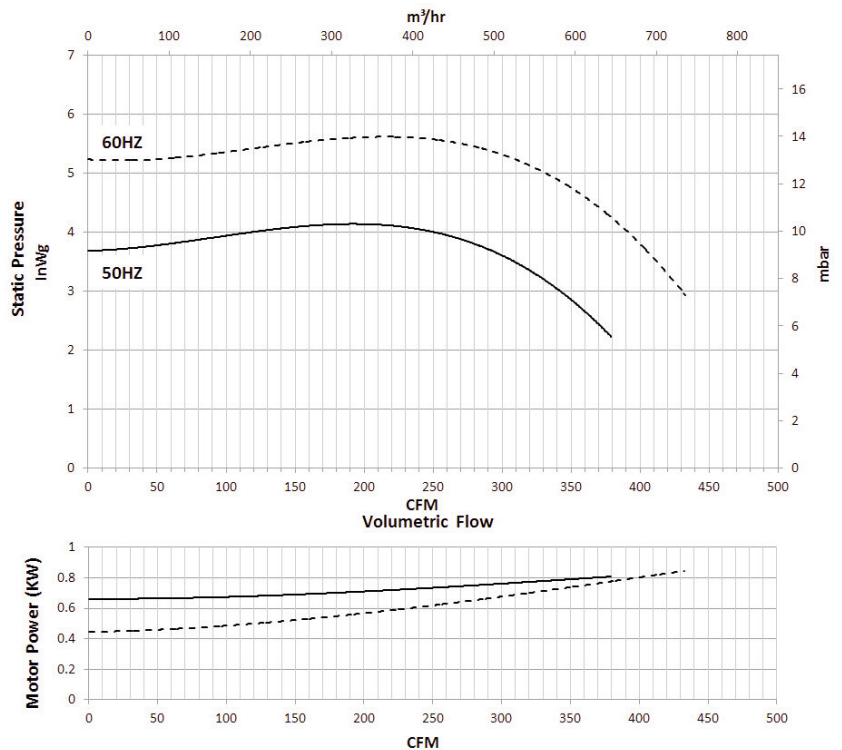
Centrifugal Fan VBL8

Single Inlet Centrifugal Fan

General Characteristics:

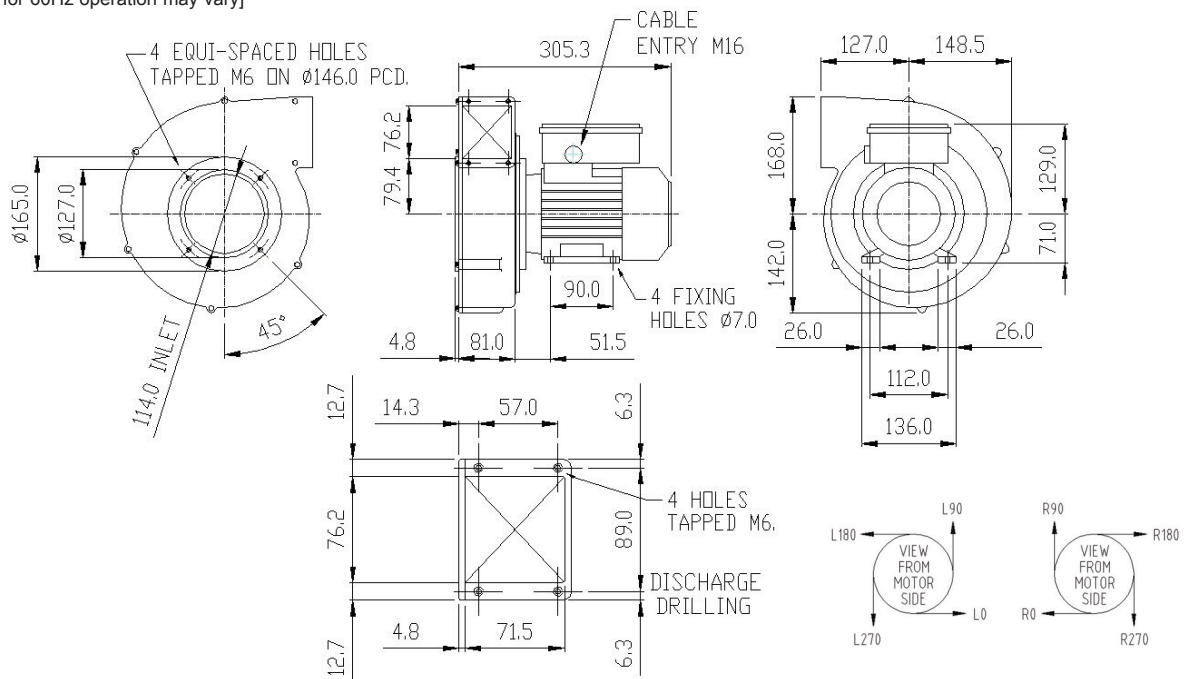


Motor type:	Squirrel cage induction motor IP55 as std
Nominal supply:	220/240V or 115V 1Ph 50/60Hz 380/420VY / 220/240VD 3Ph 50hz 440/480VY / 250/280VD 3Ph 60Hz
Options:	Inlet & discharge guards, Inlet filters, Spigots
Materials:	Fancase: Cast aluminium LM6 Impellers: Aluminium 1200 H14
Finishes:	Unpainted / Stove enamel (black) as std
Mounting options:	Motor feet or Pedestal
Noise levels:	78dB(A) Free Air, 1M
Weight:	12Kgs / 26Lbs
Motor Variations:	ATEX, CE, CSA, UL available



Outline dimensions:

[Note: motor shown is for 50Hz performance.
Motor dimensions for 60Hz operation may vary]



Please note:
1 - all drawings measurements are in millimeters (mm)
2 - above technical specifications are subject to change
3 - Images used may not be representative of the fan supplied

AIR CONTROL INDUSTRIES LTD
Weycroft Avenue, Millwey Industrial Estate,
Axminster, Devon, EX13 5HU
t: +44(0)1297 529242 f: +44(0)1297 529241
e: sales@aircontrolindustries.com
w: www.aircontrolindustries.com

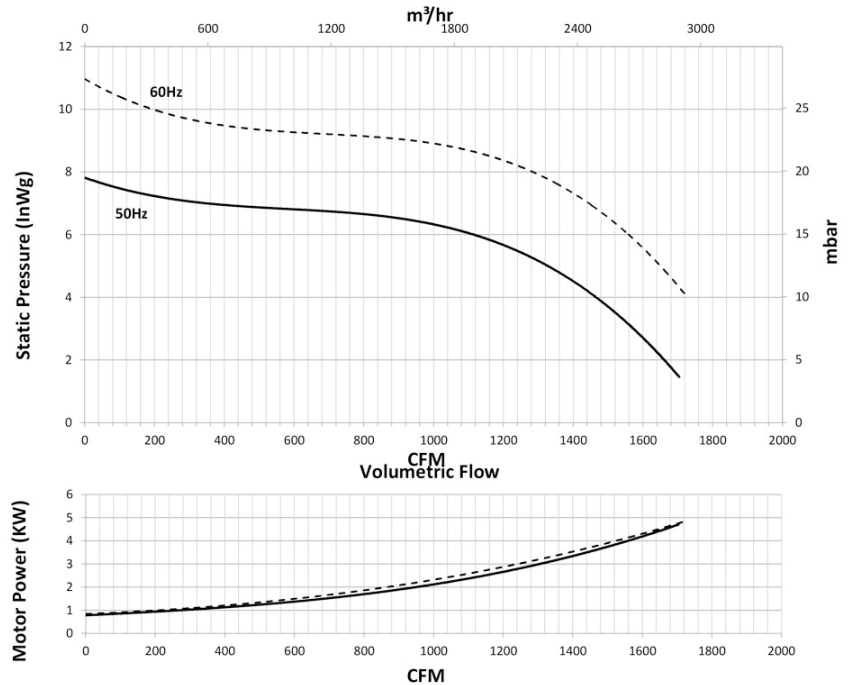
Centrifugal Fan VBL9

Single Inlet Centrifugal Fan

General Characteristics:

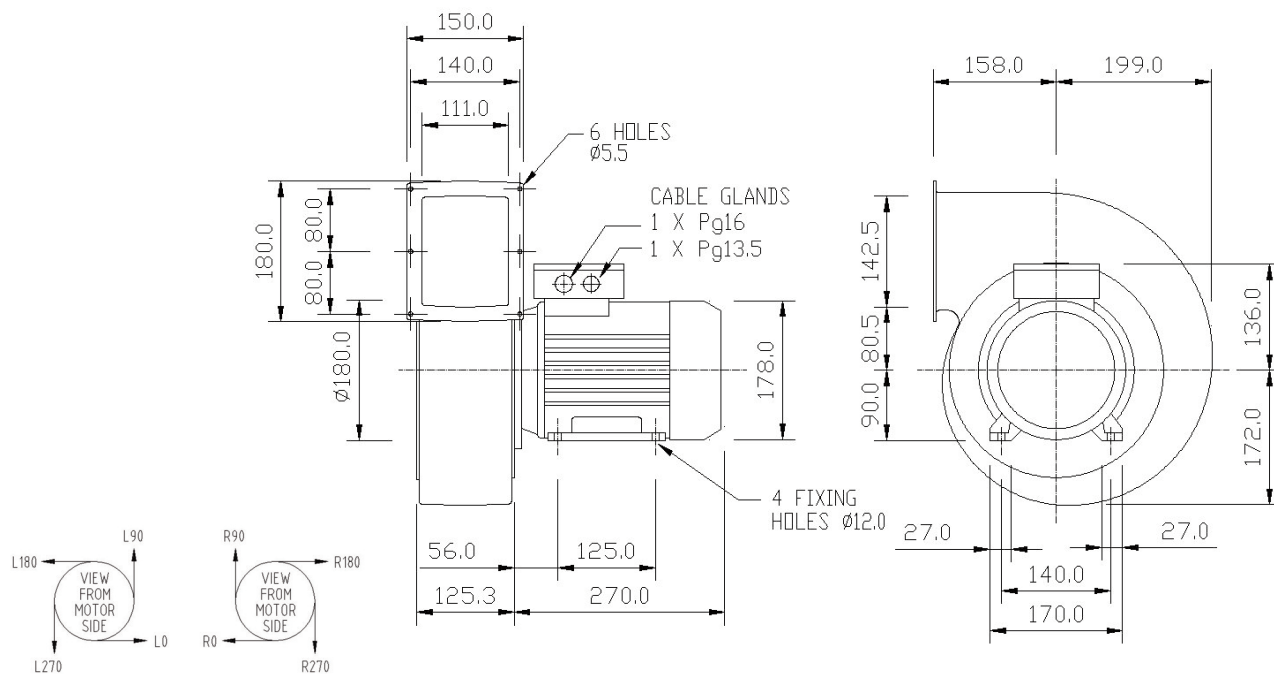


Motor type:	Squirrel cage induction motor IP55 as std
Nominal supply:	380/420VY / 200/240VD 3Ph 50hz 440/480VY / 250/280VD 3Ph 60Hz
Options:	Inlet & discharge guards, Inlet filters, Spigots
Materials:	Fancase: Cast aluminium LM6 Impellers: Galvanised sheet steel
Finishes:	Unpainted/Stove enamel (black) as std
Mounting options:	Motor feet or Pedestal
Noise levels:	95dB(A) Free Air, 1M
Weight:	22Kgs / 49Lbs
Motor Variations:	ATEX, CE, CSA, UL available



Outline dimensions:

[Note: motor shown is for 50Hz performance.
Motor dimensions for 60Hz operation may vary]



Please note:
1 - all drawings measurements are in millimeters (mm)
2 - above technical specifications are subject to change
3 - Images used may not be representative of the fan supplied

AIR CONTROL INDUSTRIES LTD
Weycroft Avenue, Millwey Industrial Estate,
Axminster, Devon, EX13 5HU
t: +44(0)1297 529242 f: +44(0)1297 529241
e: sales@aircontrolindustries.com
w: www.aircontrolindustries.com

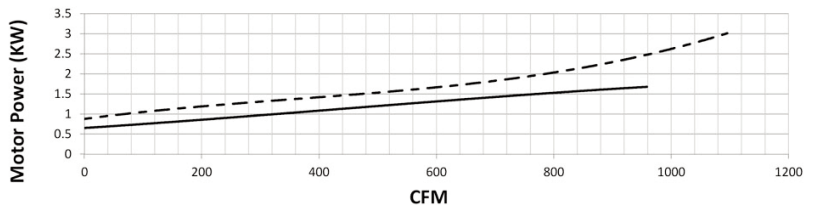
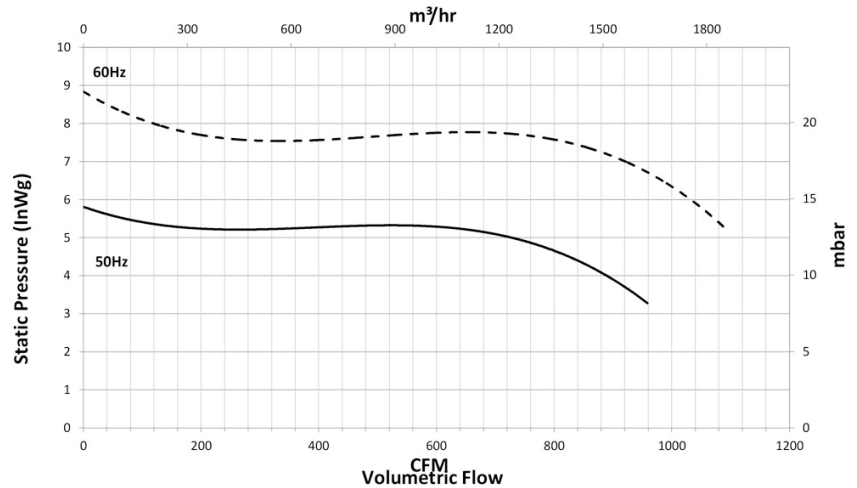
Centrifugal Fan VBM9

Single Inlet Centrifugal Fan

General Characteristics:

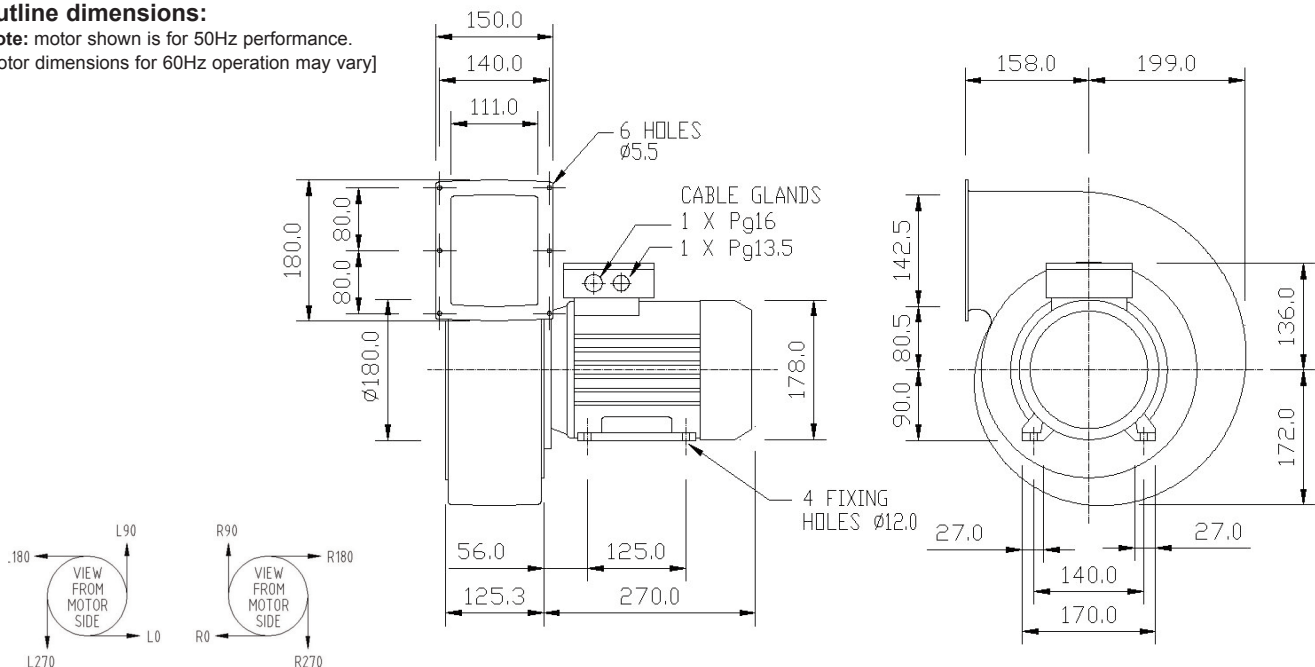


Motor type:	Squirrel cage induction motor IP55 as std
Nominal supply:	380/420VY / 200/240VD 3Ph 50hz 440/480VY / 250/280VD 3Ph 60Hz
Options:	Inlet & discharge guards, Inlet filters, Spigots
Materials:	Fancase: Cast aluminium LM6 Impellers: Galvanised sheet steel
Finishes:	Unpainted/Stove enamel (black) as std
Mounting options:	Motor feet or Pedestal
Noise levels:	80dB(A) Free Air, 1M
Weight:	16Kgs / 35Lbs
Motor Variations:	ATEX, CE, CSA, UL available



Outline dimensions:

[Note: motor shown is for 50Hz performance.
Motor dimensions for 60Hz operation may vary]



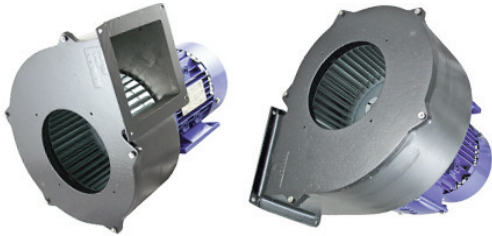
Please note:
1 - all drawings measurements are in millimeters (mm)
2 - above technical specifications are subject to change
3 - Images used may not be representative of the fan supplied

AIR CONTROL INDUSTRIES LTD
Weycroft Avenue, Millwey Industrial Estate,
Axminster, Devon, EX13 5HU
t: +44(0)1297 529242 f: +44(0)1297 529241
e: sales@aircontrolindustries.com
w: www.aircontrolindustries.com

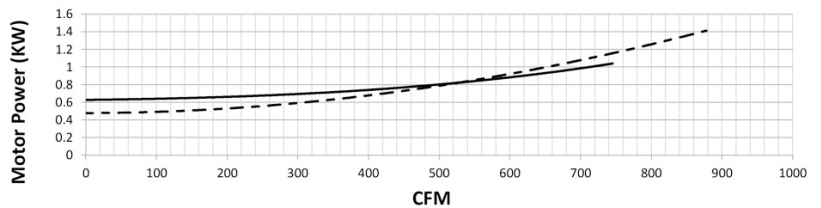
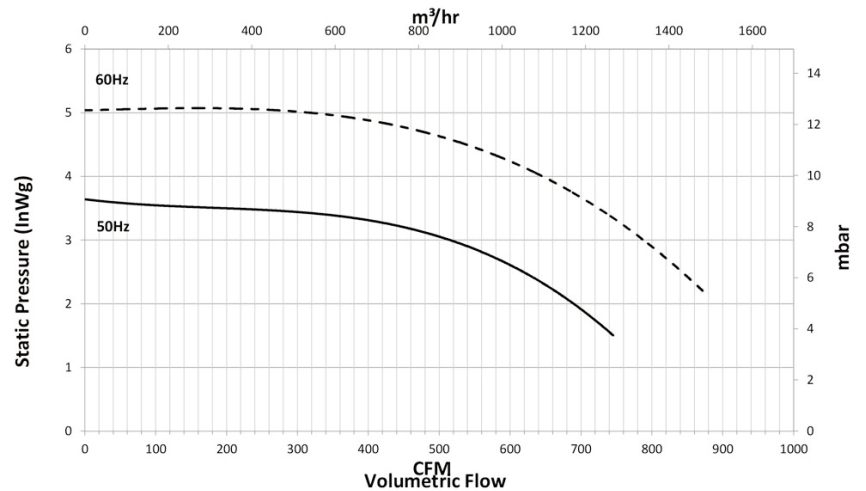
Centrifugal Fan VBW6

Single Inlet Centrifugal Fan

General Characteristics:

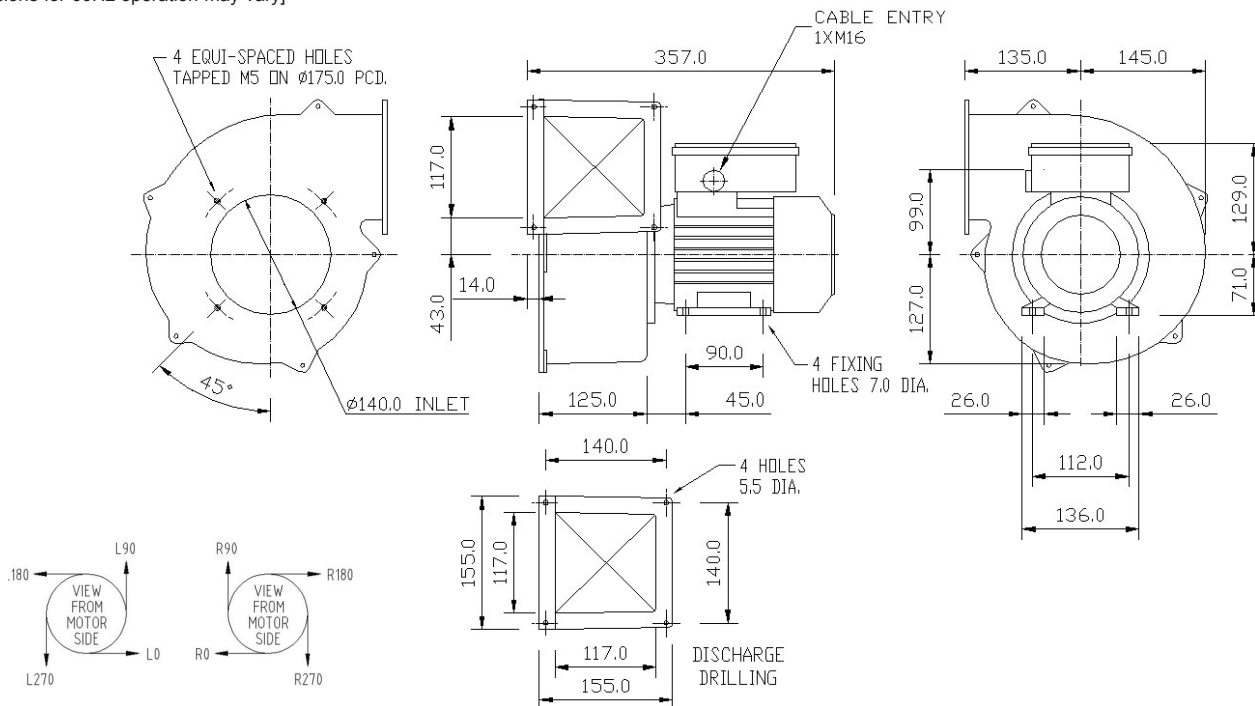


Motor type:	Squirrel cage induction motor IP55 as std, IP65 available
Nominal supply:	220/240V or 115V 1Ph 50/60Hz 380/420VY / 220/240VD 3Ph 50Hz 440/480VY / 250/280VD 3Ph 60Hz
Options:	Inlet & discharge guards, Inlet filters, Spigots
Materials:	Fancase: Cast aluminium LM6 Impellers: Galvanised sheet steel
Finishes:	Unpainted/Stove enamel (black) as std
Mounting options:	Motor feet or Pedestal
Noise levels:	86.5dB(A) Free Air, 1M
Weight:	14Kgs / 31Lbs
Motor Variations:	ATEX, CE, CSA, UL available



Outline dimensions:

[Note: motor shown is for 50Hz performance.
Motor dimensions for 60Hz operation may vary]



Please note:
1 - all drawings measurements are in millimeters (mm)
2 - above technical specifications are subject to change
3 - Images used may not be representative of the fan supplied

AIR CONTROL INDUSTRIES LTD
Weycroft Avenue, Millwey Industrial Estate,
Axminster, Devon, EX13 5HU
t: +44(0)1297 529242 f: +44(0)1297 529241
e: sales@aircontrolindustries.com
w: www.aircontrolindustries.com

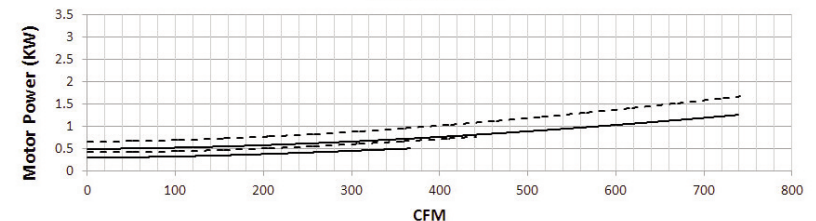
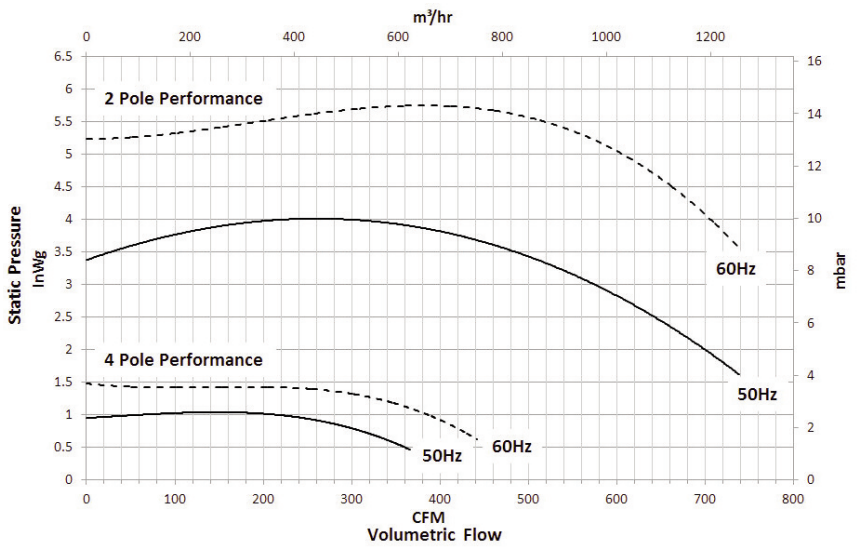
Centrifugal Fan VBW7

Single Inlet Centrifugal Fan (2 & 4 Pole)

General Characteristics:

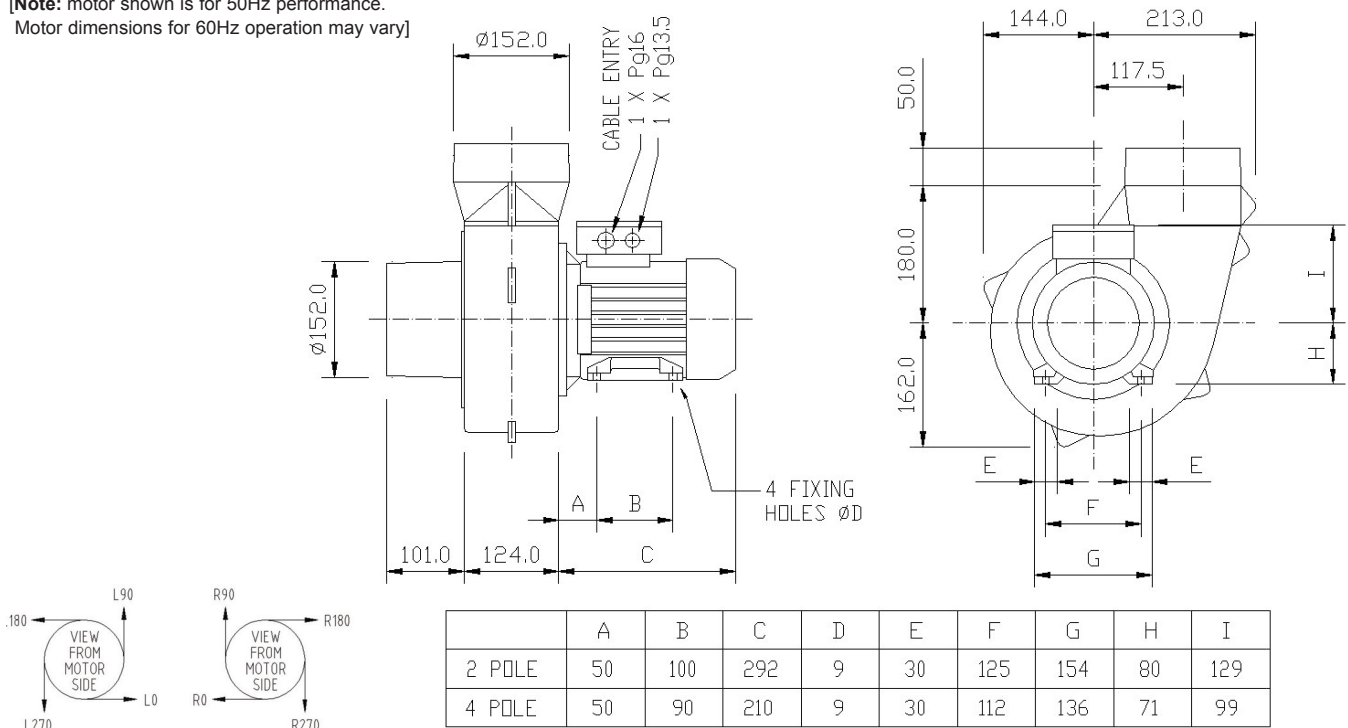


Motor type:	Squirrel cage induction motor IP55 as std, IP65 available
Nominal supply:	220/240V or 115V 1Ph 50/60Hz 380/420VY / 220/240VD 3Ph 50Hz 440/480VY / 250/280VD 3Ph 60Hz
Options:	Inlet & discharge guards, Inlet filters, Spigots
Materials:	Fancase: Cast aluminium LM6 Impellers: Galvanised sheet steel
Finishes:	Unpainted/Stove enamel (black) as std
Mounting options:	Motor feet or Pedestal
Noise levels:	94dB(A) for 2 Pole, Free Air, 1M 73dB(A) for 4 Pole, Free Air, 1M
Weight:	14Kgs / 31Lbs
Motor Variations:	ATEX, CE, CSA, UL available



Outline dimensions:

[Note: motor shown is for 50Hz performance.
Motor dimensions for 60Hz operation may vary]



Please note:
1 - all drawings measurements are in millimeters (mm)
2 - above technical specifications are subject to change
3 - Images used may not be representative of the fan supplied

AIR CONTROL INDUSTRIES LTD
Weycroft Avenue, Millwey Industrial Estate,
Axminster, Devon, EX13 5HU
t: +44(0)1297 529242 f: +44(0)1297 529241
e: sales@aircontrolindustries.com
w: www.aircontrolindustries.com

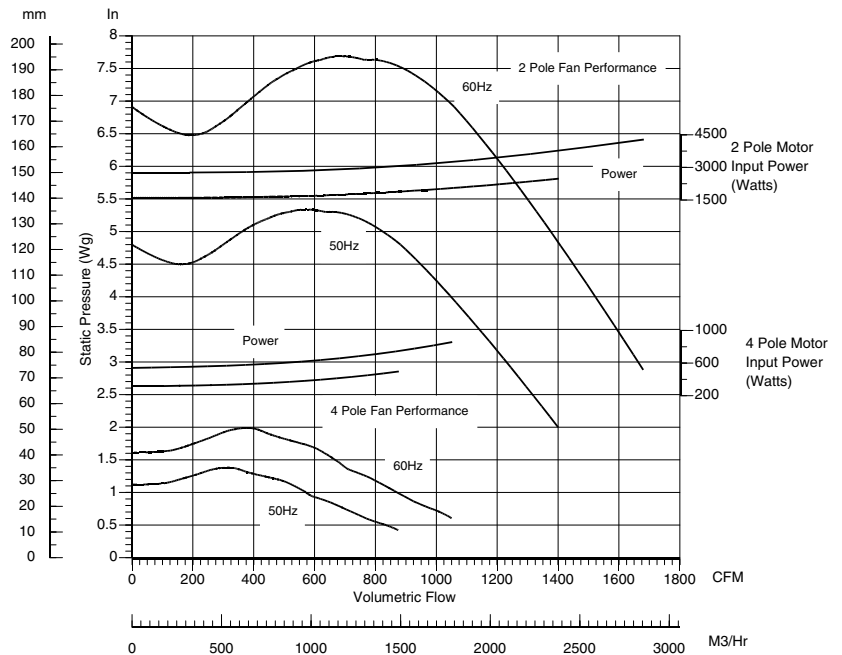
Centrifugal Fan VBW9

Single Inlet Centrifugal Fan

General Characteristics:

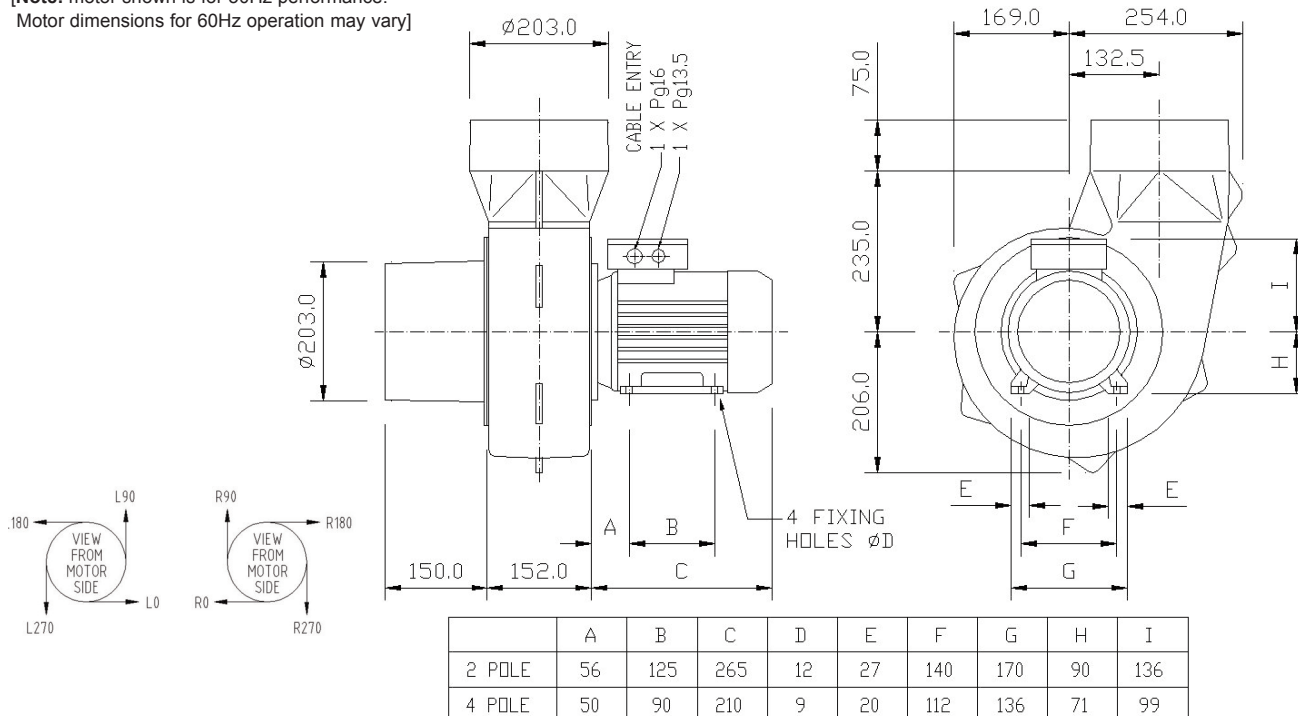


Motor type:	Squirrel cage induction motor IP55 as std
Nominal supply:	380/420VY / 220/240VD 3Ph 50Hz 440/480VY / 250/280VD 3Ph 60Hz 1Ph available
Options:	Inlet & discharge guards, Inlet filters, Spigots
Materials:	Fancase: Cast aluminium LM6 Impellers: Galvanised sheet steel
Finishes:	Unpainted/Stove enamel (black) as std
Mounting options:	Motor feet or Pedestal
Noise levels:	94dB(A) for 2 Pole, Free Air, 1M 73dB(A) for 4 Pole, Free Air, 1M
Weight:	30Kgs / 66Lbs
Motor Variations:	ATEX, CE, CSA, UL available



Outline dimensions:

[Note: motor shown is for 50Hz performance.
Motor dimensions for 60Hz operation may vary]



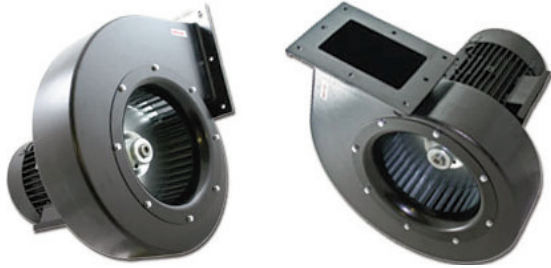
Please note:
1 - all drawings measurements are in millimeters (mm)
2 - above technical specifications are subject to change
3 - Images used may not be representative of the fan supplied

AIR CONTROL INDUSTRIES LTD
Weycroft Avenue, Millwey Industrial Estate,
Axminster, Devon, EX13 5HU
t: +44(0)1297 529242 f: +44(0)1297 529241
e: sales@aircontrolindustries.com
w: www.aircontrolindustries.com

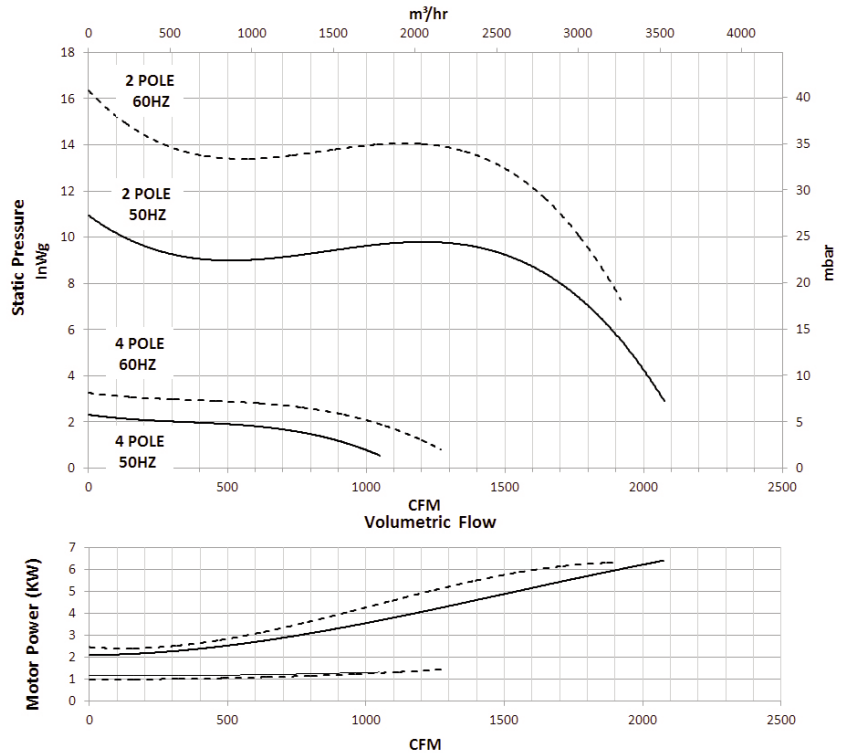
Centrifugal Fan MR280L

Single Inlet Centrifugal Fan (2 & 4 Pole)

General Characteristics:

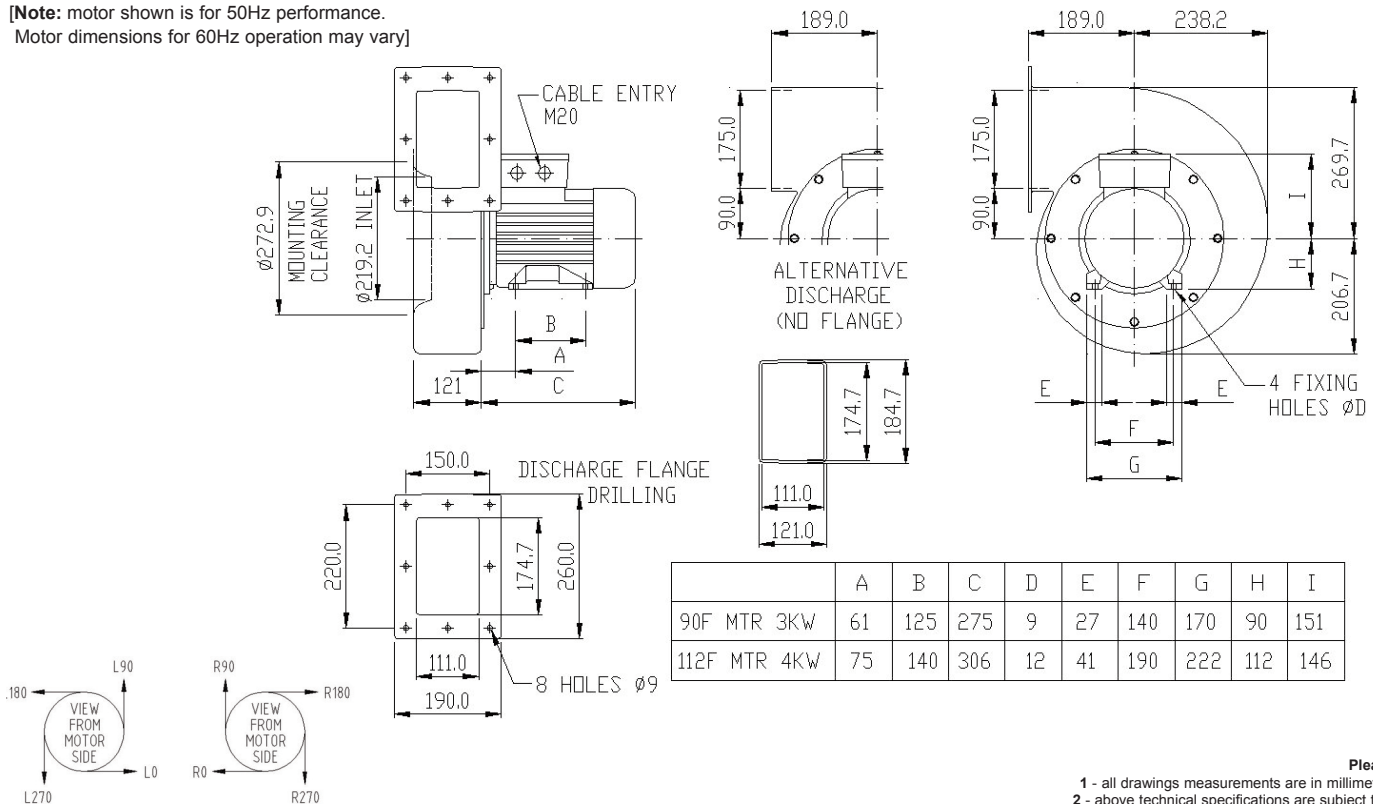


Motor type:	Squirrel cage induction motor IP55 as std
Nominal supply:	380/420VY / 220/240VD 3Ph 50Hz 440/480VY / 250/280VD 3Ph 60Hz
Options:	Inlet & discharge guards, Inlet filters, Spigots
Materials:	Fancase: Cast aluminium LM6 Impellers: Galvanised sheet steel
Finishes:	Unpainted/Stove enamel (black) as std
Mounting options:	Motor feet or Pedestal
Noise levels:	95dB(A) Free Air, 1M
Weight:	37Kgs / 82Lbs
Motor Variations:	ATEX, CE, CSA, UL available



Outline dimensions:

[Note: motor shown is for 50Hz performance.
Motor dimensions for 60Hz operation may vary]



Please note:
1 - all drawings measurements are in millimeters (mm)
2 - above technical specifications are subject to change
3 - Images used may not be representative of the fan supplied

AIR CONTROL INDUSTRIES LTD

Weycroft Avenue, Millwey Industrial Estate,
Axminster, Devon, EX13 5HU
t: +44(0)1297 529242 f: +44(0)1297 529241
e: sales@aircontrolindustries.com
w: www.aircontrolindustries.com

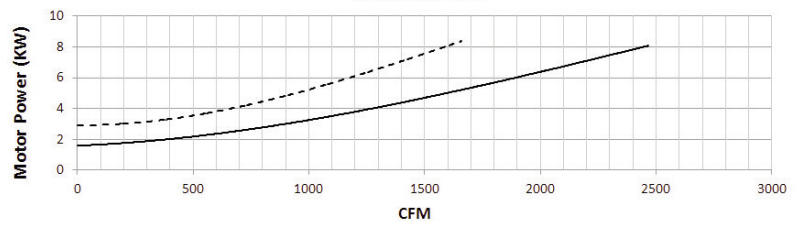
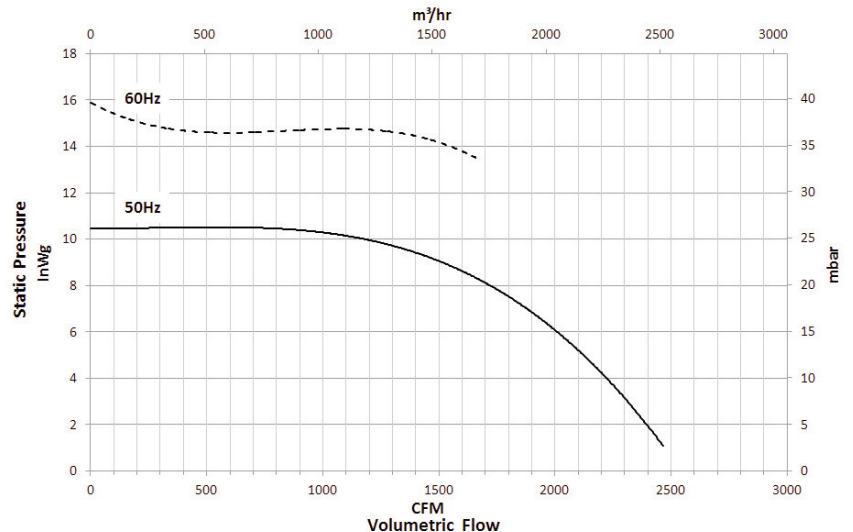
Centrifugal Fan MR315L

2 Pole Single Inlet Centrifugal Fan

General Characteristics:

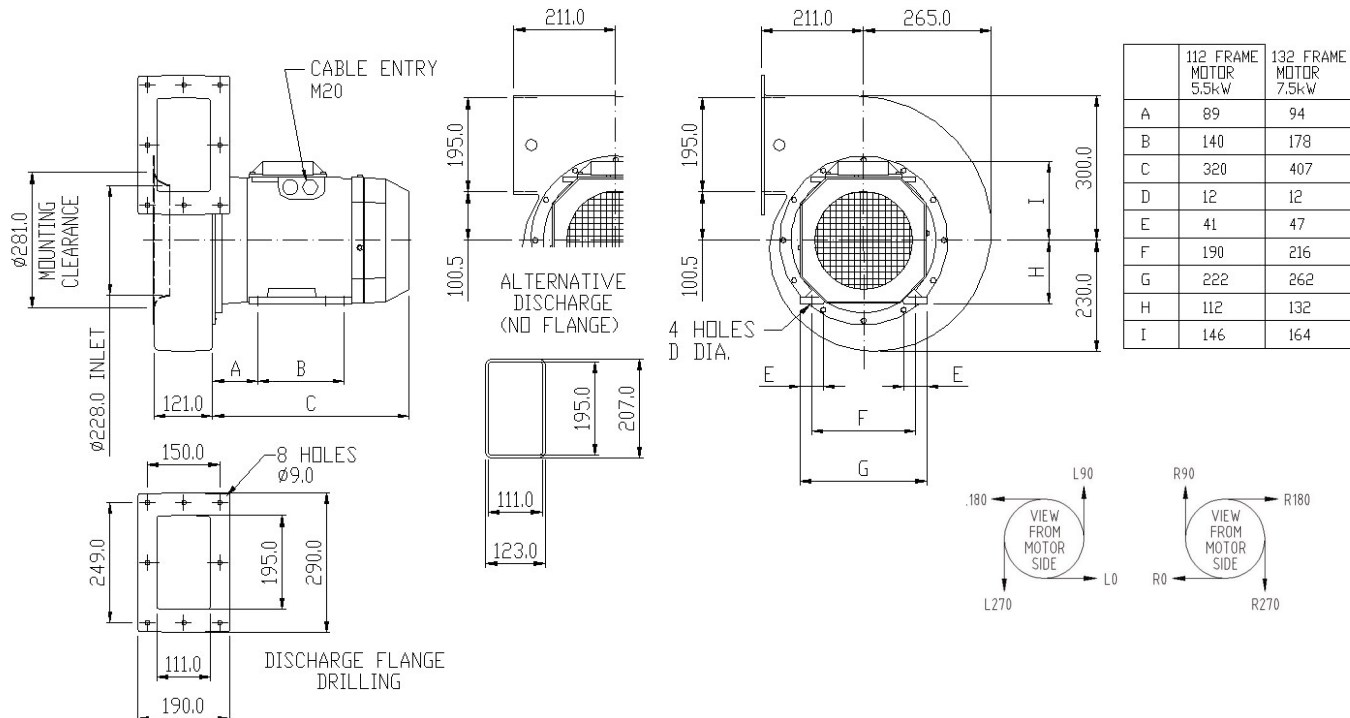


Motor type:	Squirrel cage induction motor IP55 as std, IP65 available
Nominal supply:	380/420VY / 220/240VD 3Ph 50Hz 440/480VY / 250/280VD 3Ph 60Hz
Options:	Inlet & discharge guards, Inlet filters, Spigots
Materials:	Fan case: Cast aluminium LM6 Impellers: Galvanised sheet steel
Finishes:	Unpainted / Stove enamel (black) as std
Mounting options:	Motor feet or Pedestal
Noise levels:	96dB(A) Free Air, 1M
Weight:	71Kgs / 157Lbs
Motor Variations:	ATEX, CE, CSA, UL available



Outline dimensions:

[Note: motor shown is for 50Hz performance.
Motor dimensions for 60Hz operation may vary]



Please note:
1 - all drawings measurements are in millimeters (mm)
2 - above technical specifications are subject to change
3 - Images used may not be representative of the fan supplied

AIR CONTROL INDUSTRIES LTD
Weycroft Avenue, Millwey Industrial Estate,
Axminster, Devon, EX13 5HU
t: +44(0)1297 529242 f: +44(0)1297 529241
e: sales@aircontrolindustries.com
w: www.aircontrolindustries.com

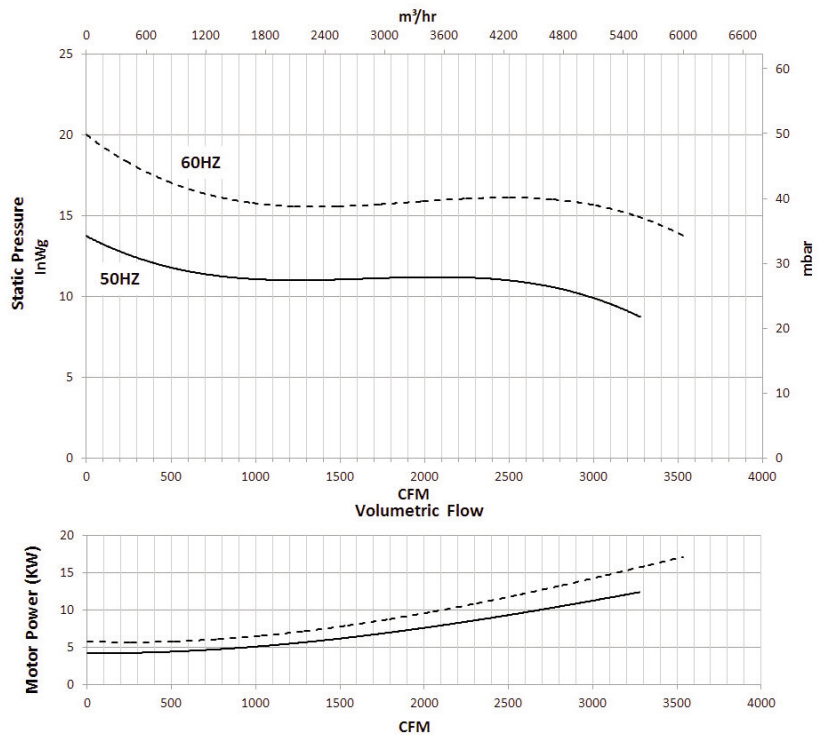
Centrifugal Fan MR315W

2 Pole Single Inlet Centrifugal Fan

General Characteristics:

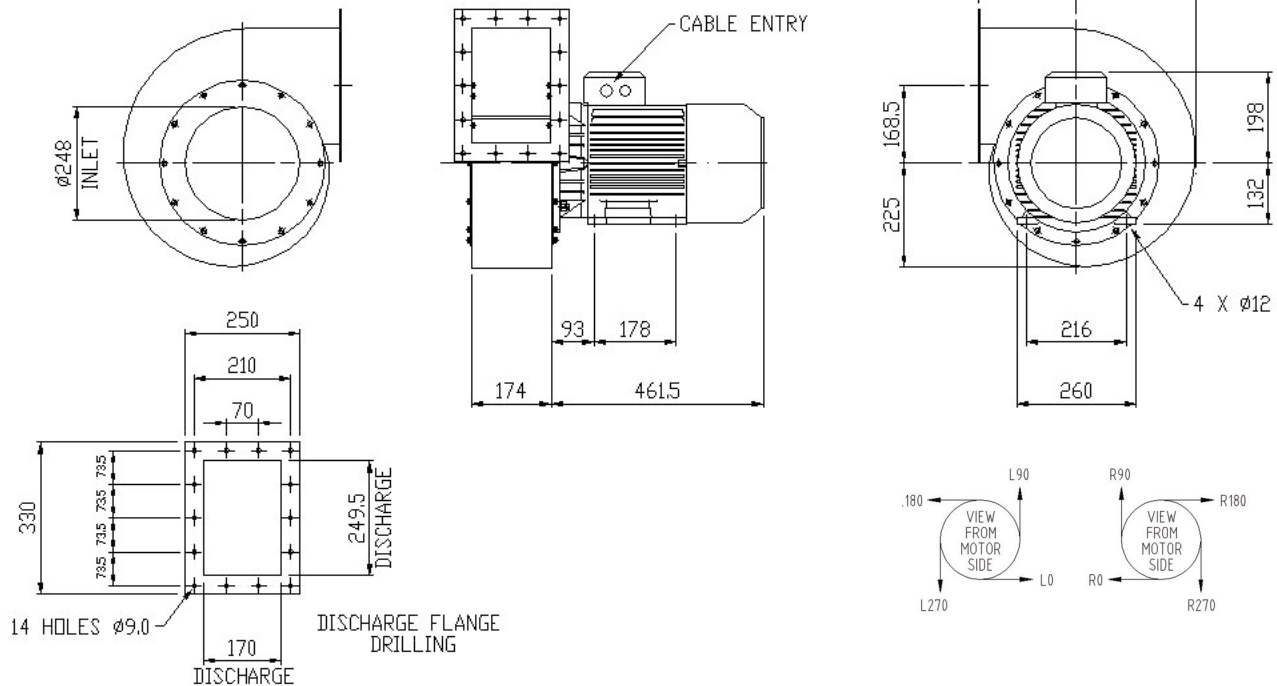


Motor type:	Squirrel cage induction motor IP55 as std, IP65 available
Nominal supply:	380/420VY / 220/240VD 3Ph 50Hz 440/480VY / 250/280VD 3Ph 60Hz
Ancillaries:	Inlet & discharge guards, Inlet filters, Spigots
Materials:	Fancase: Mild steel painted Impellers: Galvanised sheet steel
Finishes:	Unpainted / Stove enamel (black) as std
Mounting options:	Motor feet or Pedestal
Noise levels:	99dB(A) Free Air, 1M
Weight:	51.5Kgs / 113.5Lbs
Motor Variations:	ATEX, CE, CSA, UL available



Outline dimensions:

[Note: motor shown is for 50Hz performance.
Motor dimensions for 60Hz operation may vary]



Please note:
 1 - all drawings measurements are in millimeters (mm)
 2 - above technical specifications are subject to change
 3 - Images used may not be representative of the fan supplied

AIR CONTROL INDUSTRIES LTD
 Weycroft Avenue, Millwey Industrial Estate,
 Axminster, Devon, EX13 5HU
 t: +44(0)1297 529242 f: +44(0)1297 529241
 e: sales@aircontrolindustries.com
 w: www.aircontrolindustries.com

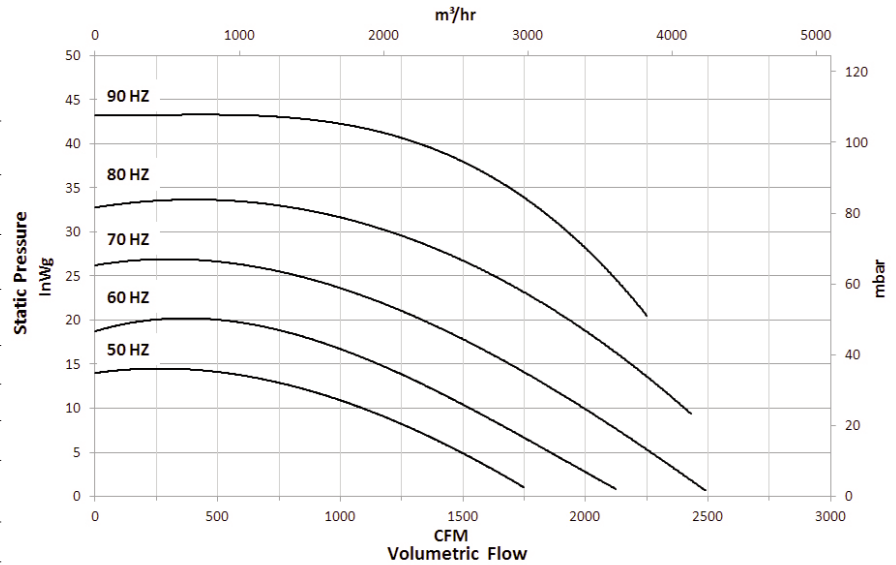
Centrifugal Fan MR400R

Single Inlet Centrifugal Fan

General Characteristics:

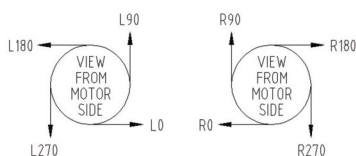
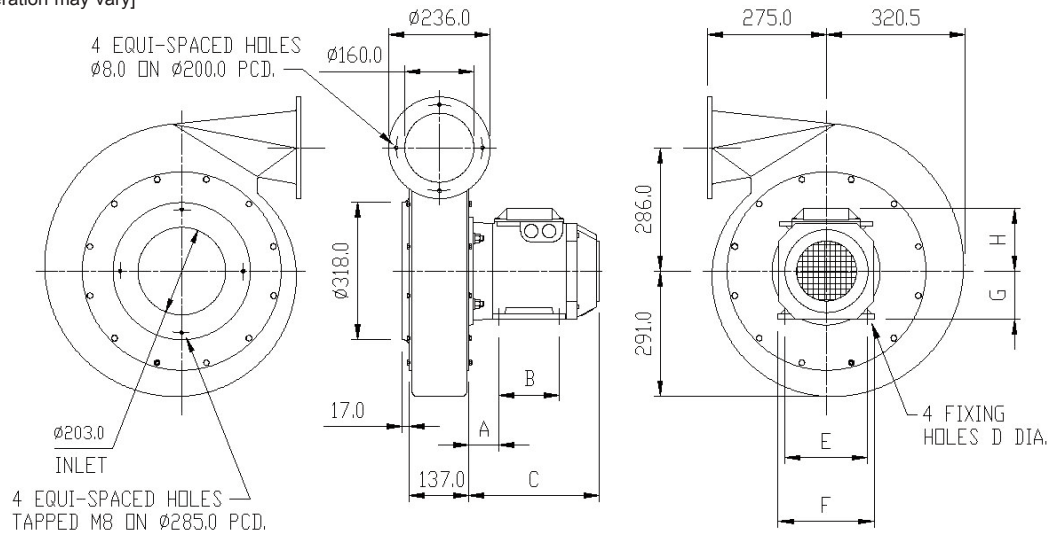


Motor type:	Squirrel cage induction motor IP55 as std, IP65 available
Nominal supply:	380/420VY / 200/240VD 3Ph 50Hz 440/480VY / 250/280VD 3Ph 60Hz
Options:	Inlet & discharge guards, Inlet filters, Spigots
Materials:	Fancase: Cast aluminium LM6 Impellers: Mild sheet steel
Finishes:	Unpainted/Stove enamel (black) as std
Mounting options:	Motor feet or Pedestal
Noise levels:	101.2dB(A) Free Air, 1M
Weight:	66Kgs / 145Lbs (when fitted with 112 Frame Motor, 5.5kW)
Motor Variations:	ATEX, CE, CSA, UL available



Outline dimensions:

[Note: motor shown is for 50Hz performance.
Motor dimensions for 60Hz operation may vary]



	A	B	C	D	E	F	G	H
112F MTR 5.5KW	70	140	328	10	190	220	112	161
132F MTR 7.5KW	89	140	408	10	216	260	132	198
160F MTR 15KW	108	210	503	12	254	292	160	246

Please note:
 1 - all drawings measurements are in millimeters (mm)
 2 - above technical specifications are subject to change
 3 - Images used may not be representative of the fan supplied

AIR CONTROL INDUSTRIES LTD
 Weycroft Avenue, Millwey Industrial Estate,
 Axminster, Devon, EX13 5HU
 t: +44(0)1297 529242 f: +44(0)1297 529241
 e: sales@aircontrolindustries.com
 w: www.aircontrolindustries.com

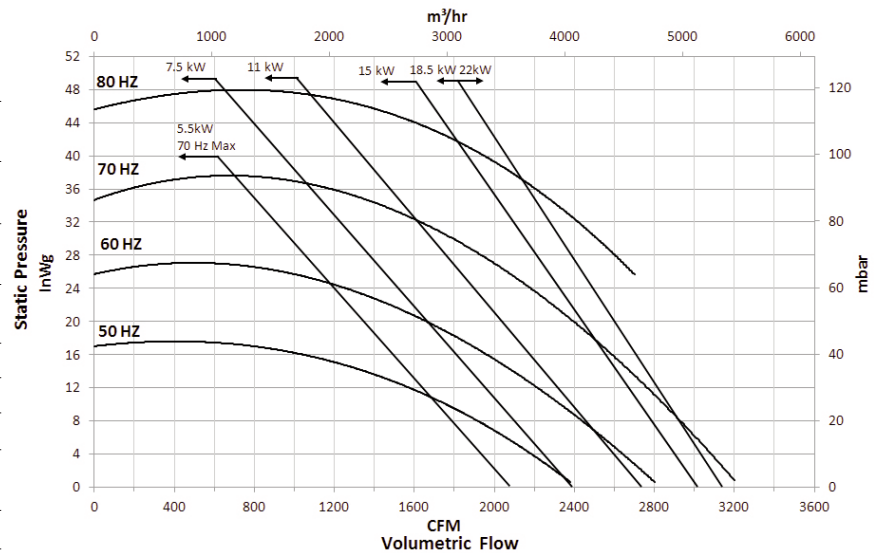
Centrifugal Fan MR480R

Single Inlet Centrifugal Fan

General Characteristics:

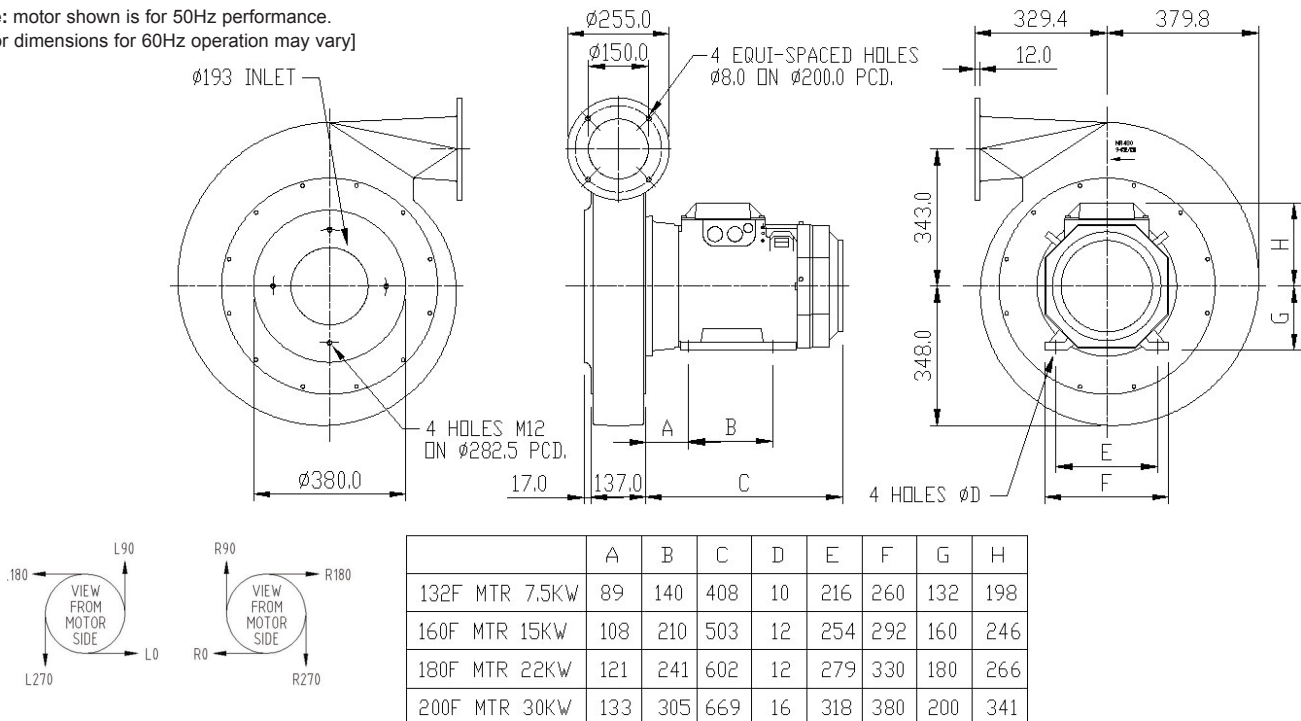


Motor type:	Squirrel cage induction motor IP55 as std, IP65 available
Nominal supply:	690/400V 3Ph 50Hz 720/460V 3Ph 60Hz
Options:	Inlet & discharge guards, Inlet filters, Spigots
Materials:	Fancase: Cast aluminium LM6 Impellers: Steel
Finishes:	Unpainted/Stove enamel (black) as std
Mounting options:	Motor feet or Pedestal
Noise levels:	84.2dB(A) Free Air, 1M
Weight:	148Kgs / 326Lbs (fitted with 132 frame motor, 11kW)
Motor Variations:	ATEX, CE, CSA, UL available



Outline dimensions:

[Note: motor shown is for 50Hz performance.
Motor dimensions for 60Hz operation may vary]



Please note:
 1 - all drawings measurements are in millimeters (mm)
 2 - above technical specifications are subject to change
 3 - Images used may not be representative of the fan supplied

AIR CONTROL INDUSTRIES LTD
 Weycroft Avenue, Millwey Industrial Estate,
 Axminster, Devon, EX13 5HU
 t: +44(0)1297 529242 f: +44(0)1297 529241
 e: sales@aircontrolindustries.com
 w: www.aircontrolindustries.com