

DIV.-E 240 – Meters for DC Voltage or Current

E-line meters with a moving coil are intended for direct measurement or for connection to a separate shunt. A measuring system with a core magnet is not sensitive to external electromagnetic fields and is resistant to mechanical impacts and vibrations. The meters are delivered with scale with 240 pointer deflection. The scale is entirely linear. The accuracy class is 1.5.



Technical specifications

Environmental conditions	
Location:	Indoor use
Reference temperature range:	+18°C .. +28°C
Nominal temperature range:	-25°C .. +55°C
Relative humidity:	5% .. 80%, non condensing
Protection degree:	Case IP52, terminal contacts IP20**
Measurement category:	CAT. III 300V
Specifications	
Standard:	IEC 60051-2
Accuracy class:	1,5

** IP20 when included protection cover is mounted.

Order information

Customer specific products*

Please create the ordering information by combining one parameter out of each column.

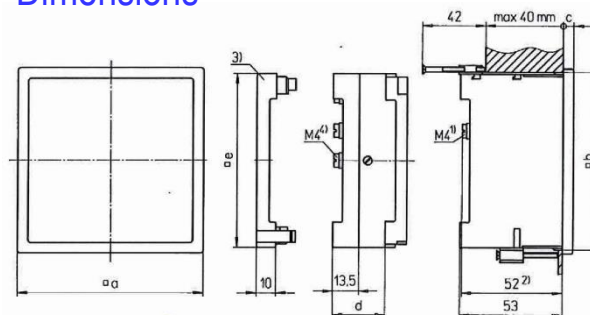
Size	Measuring Range	Scale
48 * 48	Please specify the measuring range	Please specify the requested scale
72 * 72		
96 * 96		

For example: DIV96-E 240, 4-20mA, 0-100A

* On request the DIV-E 240 can be delivered as IP55 or with extra marking on the scale.

Please contact our sales department for the possibilities.

Dimensions



Model	a (mm)	b (mm)	c (mm)	d (mm)	e (mm)
DIV48-E 240	48	45 ^{+0,6}	5	-	42,5
DIV72-E 240	72	68 ^{+0,8}	5,5	-	66,5
DIV96-E 240	96	92 ^{+0,8}	5,5	-	90

