

## DATA SHEET

# MEMOLUB® EM

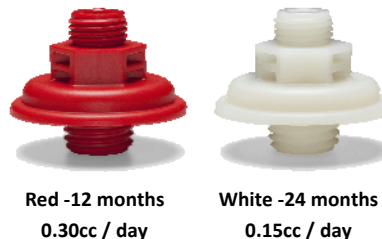
A battery powered, self-contained automatic lubricator designed for the minimal lubricant requirements of electric motors

### General Description

The MEMOLUB® EM is a reusable, battery powered, electro-mechanical lubricator designed for single-point applications that require small amounts of lubricant over a long period of time. The MEMOLUB® EM uses the same proven mechanical design as existing MEMOLUB® models but in a lower output pressure version and with a highly simplified programming method. It's immediate 140psi lubricant output pressure allows the unit to be direct mounted or remote mounted up to 6 feet away from the lube point. It is currently available in a 120cc model. The MEMOLUB® EM is self-contained with no external wiring required and can be used plant wide on a variety of applications.

### Programming the EM

The MEMOLUB® EM daily lubricant output is programmed using the simple colored MEMO system. The Red and White timing MEMOs determine how long it takes to empty the lubricant cartridge. There are two basic time settings 12 and 24 months ideally suited for electric motors. Once the appropriate colored MEMO is installed, the program is retained in the MEMO fitting allowing the user to install a different MEMOLUB® EM lubricator and follow the same output program.



### Operation

The MEMOLUB® EM metered positive displacement pump has been primed before shipment and is ready for use. On first installation, all fittings, lube lines and bearings should be pre-charged with the same lubricant that was ordered with the MEMOLUB® EM lubricator. Next, install the appropriate colored MEMO fitting with the metal adapter on your lube point. Screw the MEMOLUB® EM on the MEMO fitting. The unit will cycle once and proceed to follow the program setting. Periodic visual inspection is recommended for all MEMOLUB® lubricators.

When the lubricant cartridge is empty, unscrew the MEMOLUB® EM lubricator from the MEMO fitting. Place the unit on a firm surface, outlet end down. Push down on the clear plastic housing while turning the black plastic locking ring counter-clockwise. The housing and spring assembly will separate from the pump base. Remove the empty cartridge and battery pack and replace with a new one.



### Benefits

Reduce production downtime by lubricating your equipment while in operation

Improve safety by remote mounting the lubricator up to 6 feet from lube points in hazardous locations

Easily integrates with your current lubrication program

Reduce lubrication costs by utilizing "Minimal Lubrication Practices"

### Lubricator Part Number

MLEM120 (1/4" NPT Adapter)

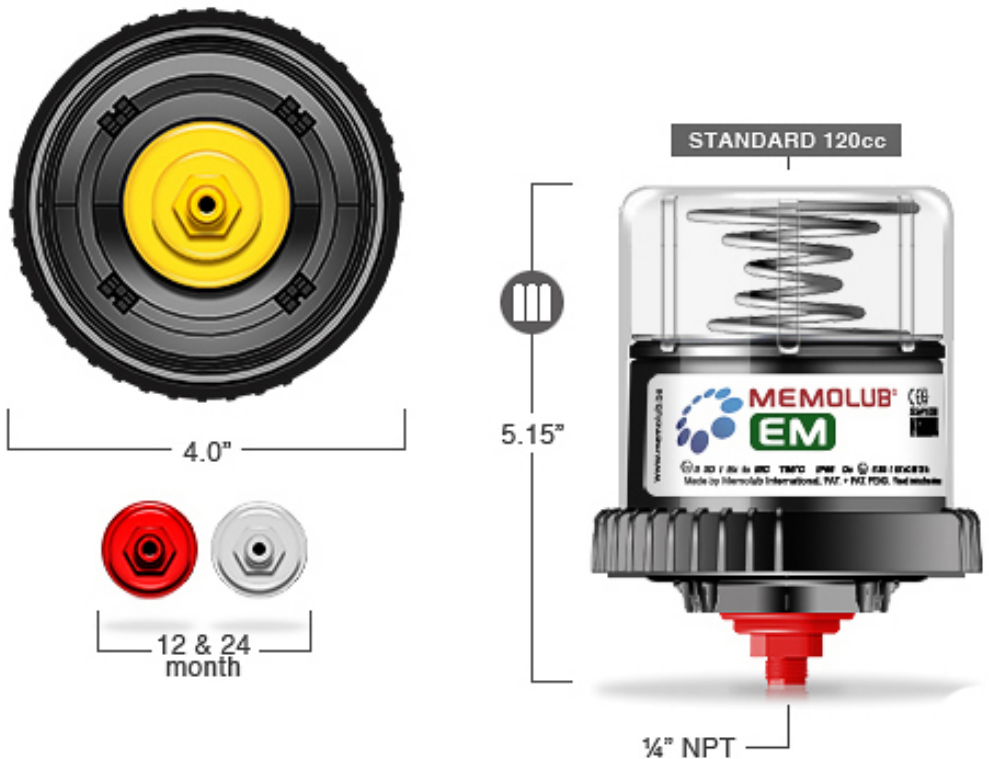
MLEM120-8 (1/8" NPT Adapter)



Power Lube Industrial, LLC  
4930 S. 2nd St. Ste 300  
Milwaukee, WI 53207  
800.635.8170 Toll-Free  
414.727.8170 Local  
414.727.8171 Fax  
www.powerlubeind.com

Specifications	
Operation:	Electro-Mechanical, positive displacement pump
Lubricant cartridge capacity:	120cc (Replaceable)
Compatible lubricants:	Oil or Grease (to NLGI #2)
Connection thread:	1/4 R Male (1/8" or 1/4" NPT Adapter included)
Max operating pressure:	140psi (10 bar)
Temperature range:	5°F to 120°F (-15°C to 50°C)
Output timing settings:	12 or 24 month settings
Power supply:	4.5VDC Alkaline battery pack
External On/Off Control	No
Remote installation:	Up to 6 feet (2 meters)
Reusable:	Yes
Multi-Point capable:	No
Warranty:	2 Year limited

\*Maximum lube line length is dependent on ambient temperature, grease type and application back pressure.



Application Photo



Electric Motor

Accessories



Pre-filled Tubing



Double Mounting Bracket



Installation Kit



Power Lube Industrial, LLC  
 4930 S. 2nd St. Ste 300  
 Milwaukee, WI 53207  
 800.635.8170 Toll-Free  
 414.727.8170 Local  
 414.727.8171 Fax  
[www.powerlubeind.com](http://www.powerlubeind.com)

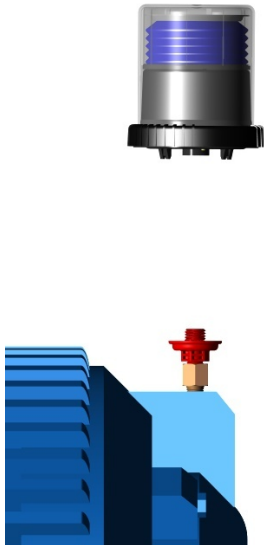
## Installation Instructions



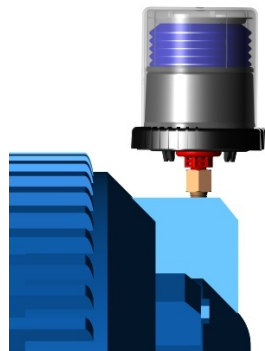
The MEMOLUB® EM is easy to install.



**Step 1** – Install the metal adapter onto the lube point.

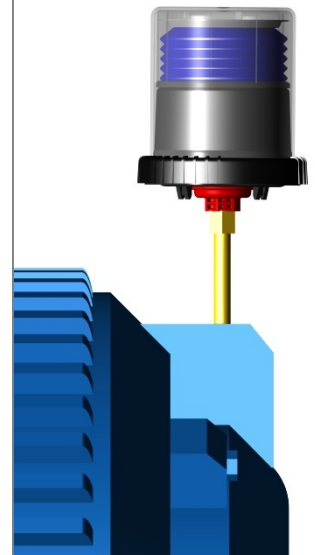


**Step 2**– Hand tighten the plastic MEMO fitting into the metal adapter.



**Step 3** – Screw the MEMOLUB® EM lubricator onto the plastic MEMO fitting.

**3" Extension Adapter Available**



**Part No. IPA-MO-8-3**

1/4R (F) x 1/8" NPT (M) x 3"



Power Lube Industrial, LLC  
4930 S. 2nd St. Ste 300  
Milwaukee, WI 53207  
800.635.8170 Toll-Free  
414.727.8170 Local  
414.727.8171 Fax  
www.powerlubeind.com