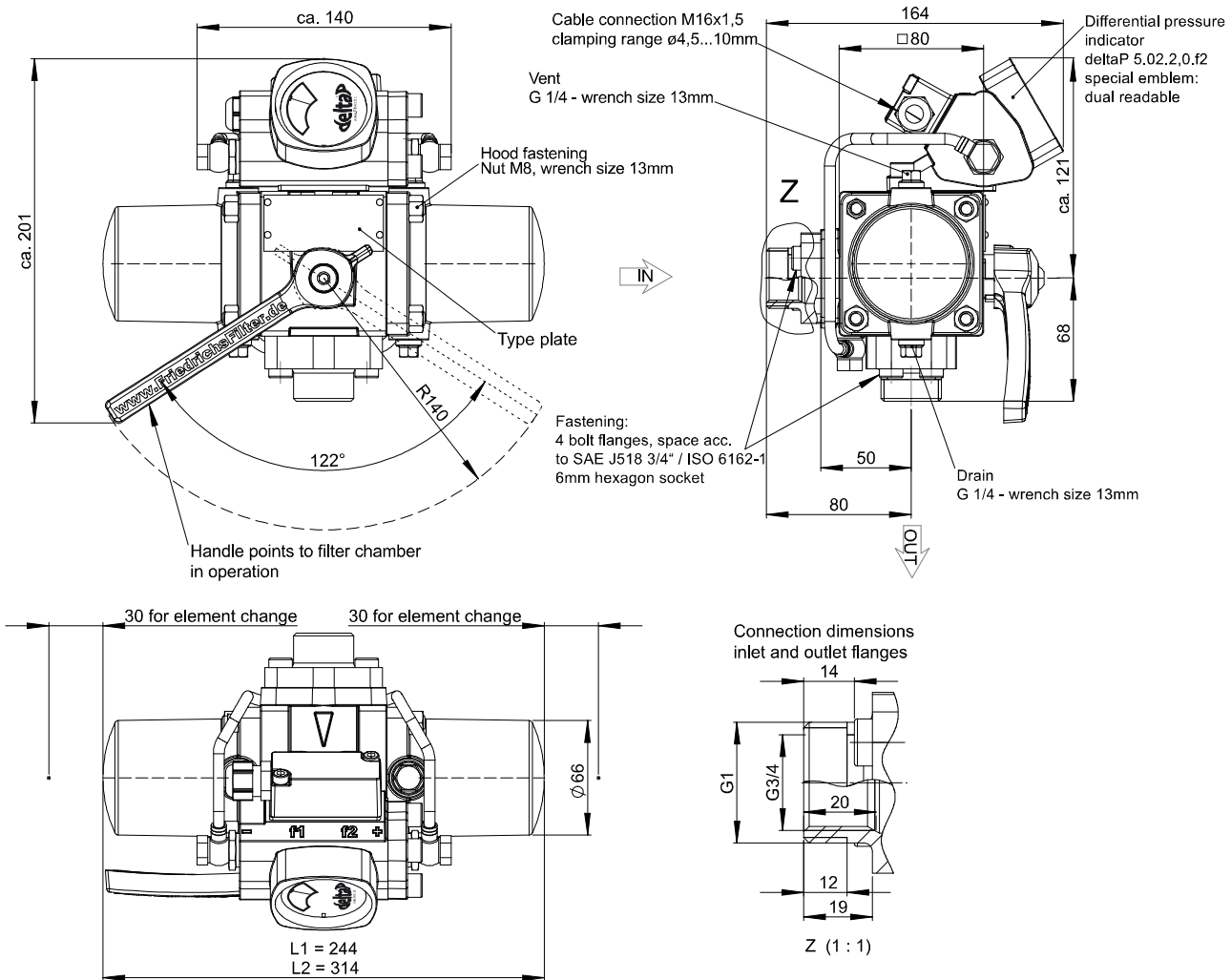


Series 4.225

Technical Data Sheet



Dimensions



Description

The filter is used to separate foreign particles from the particular medium (e.g. lubricating oil) and is designed for continuous filtration.

Usually one filter chamber is in operation, while the other one is on standby filled with fluid and equipped with a clean filter element. If the filter element in operation is heavily contaminated, manual switchover to the standby filter element can take place. Uninterrupted media flow can be guaranteed through an overlapping switchover operation between the two filter chambers.

After the switchover the contaminated filter element needs to be removed, cleaned or replaced and re-installed, in order that a standby chamber is available for the next switchover process.

Design data

DN	Length code	Flow rate* V [l/min]	Filter area per filter element [cm ²]	Weight of empty filter incl. filter elements [kg]
20	L1	70	434	3.2

*applies for recommended max. flow speed of 3m/sat the nominal width.

fluidtech® Double Changeover filter

Series 4.225

Technical Data Sheet



Design data (continuation)

Operating pressure: max. 16 bar

Operating temperature: max. 120°C

Flow data can be taken from the separately available data sheet (4.221-KV).

The environment and the medium must not have an adverse effect on the materials used!

Materials

Housing, switchover element and hoods: GK-Al

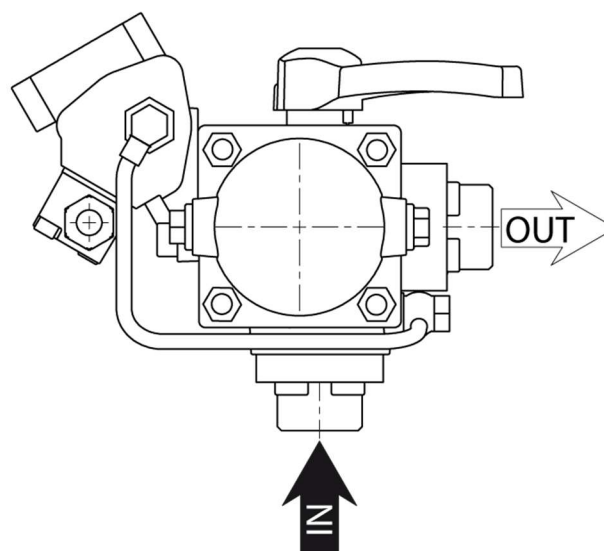
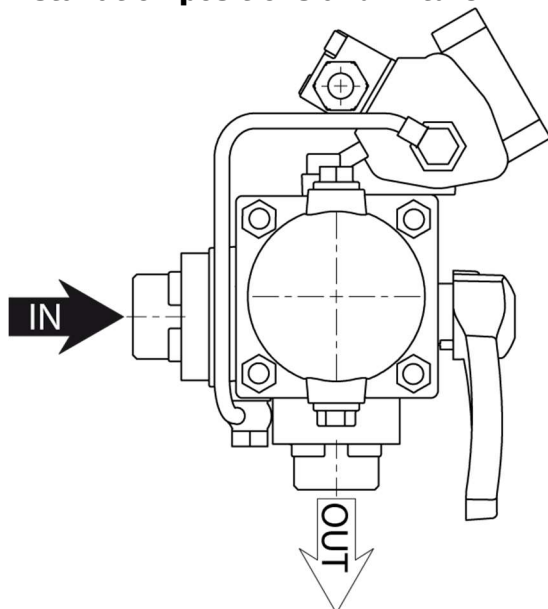
Filter element: See separately available data sheet (filter elements_4.121_221_225--TDB)

Differential pressure indicator: See separately available data sheet (5.02-TDB)

Seals: NBR, (alternatively FPM)

Special materials upon request

Installation positions and fixture

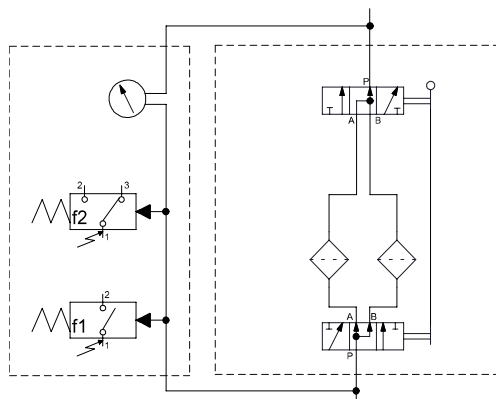


The differential pressure indicator can be read in both installation positions.

Fastening only takes place by means of the flanges at the connection pipes.

A separate fastening to the housing is not provided for.

Schematic



Series 4.225

Technical Data Sheet



Type code (ordering example)

The type code is found on the type plate.

DF 4.225	B20	060	L1	V	5.02-2,0
deltaP® Differential pressure indicator					
5.02-2,0		The standard filters are equipped with a deltaP® differential pressure indicator type 5.02 (see separate data sheet). Other deltaP® types on request – ask for our brochure.			
Sealing material					
P		NBR (Standard)			
V		FPM			
Other materials on request					
Length code					
L1		Standard length			
Other lengths on request (welded filter hoods)					
Filter fineness/medium					
005		Optimesh® wire mesh 5µm nominal, 10µm absolute			
010		Optimesh® wire mesh 10µm nominal, 25µm absolute			
015		Optimesh® wire mesh 15µm nominal, 34µm absolute			
020		Optimesh® wire mesh 20µm nominal, 40µm absolute			
025		Optimesh® wire mesh 25µm nominal, 60µm absolute			
040		Optimesh® wire mesh 40µm nominal, 80µm absolute			
060		Optimesh® wire mesh 60µm nominal, 100µm absolute			
080		Precimesh® wire mesh 80µm nominal, 150µm absolute			
100		Precimesh® wire mesh 100µm nominal, 200µm absolute			
120		Precimesh® wire mesh 120µm nominal, 250µm absolute			
150		Precimesh® wire mesh 150µm nominal, 300µm absolute			
Xxx		Paper, glass fibre paper			
Other fineness grades on request					
Nominal connection width/size					
20					
Series					
DF 4.225	fluidtech® Twin switch filter type 4.225				

fluidtech® Double Changeover filter

This data sheet may not be used for competitive purposes or self-interest, not may it be made accessible to third parties (UWG § 5, 17-21). All rights reserved. In case of patent grant or utility model registration (§ 12 PatG), we reserve the right to modify this description without notice. Technical modifications reserved. All copyrights with FRIEDRICHS FILTERSYSTEME GMBH, Lothforster Benden 2, 41849 Wassenberg, GERMANY

