

Replacement for
CLS-420

CLS-680

Forklift Scale Display



Standard Features

- LED display
- Battery backed time and date
- Full numeric keypad
- Numeric keyed entry allowed for tare
- Formattable tickets
- CLS user modes
- Machined aluminum enclosure with rounded corners
- Wi-Fi standard
- Bluetooth® standard
- Embedded antenna
- RAM® style mount ability
- M16 connector, CLS scale connection
- M12 connector, RS-232
- Power cable connector
- PreVent™ breather vent
- Illuminated power switch

Options

- Cableless interface to CLS with Zigbee module
- RAM style mounts
- Molded M12 serial cables

Specifications

Power:

DC voltages: 9 to 36 VDC

Communication Ports:

Two RS-232 full duplex, one reserved for CLS Bluetooth® SSP
Wi-Fi: Wireless 802.11 b/g/n 2.5 GHz
Zigbee, reserved for CLS cableless option

Annunciators:

10 LED

Display:

Six-digit, 0.5 in tall, seven-segment digits

Keys/Buttons:

Flat membrane panel, tactile feel (18 buttons)

Temperature Range:

Certified: 14 °F to 104 °F (-10 °C to 40 °C)
Industrial: 14 °F to 122 °F (-10 °C to 50 °C)

Dimensions:

(L × W × H)
6.5 × 5.2 × 3.3 in
(165 × 132 × 84 mm)

Estimated Weight:

3.7 lb (1.7 kg)

Material:

Machined aluminum enclosure, anodized finish

EMC Immunity:

EN 50082 Part 2 IEC 61000-4-2,3,4,5,6,8 and 11

Warranty:

Two-year limited

Approvals:

NTEP CC 21-092, Class III/IIIL, 5,000d

Approvals

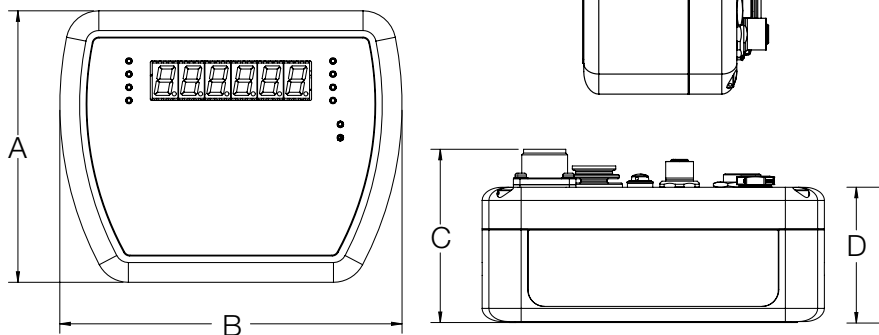


Part Number/Price

Part #	Description	Price
206439	CLS-680 indicator 9 to 36 VDC	Consult
204239	CLS-680 indicator 18 to 72 VDC	Consult

Dimensions

A	5.2 in (132 mm)
B	6.5 in (165 mm)
C	3.3 in (84 mm)
D	2.5 in (64 mm)



FORKLIFT /
PALLET JACK SCALES