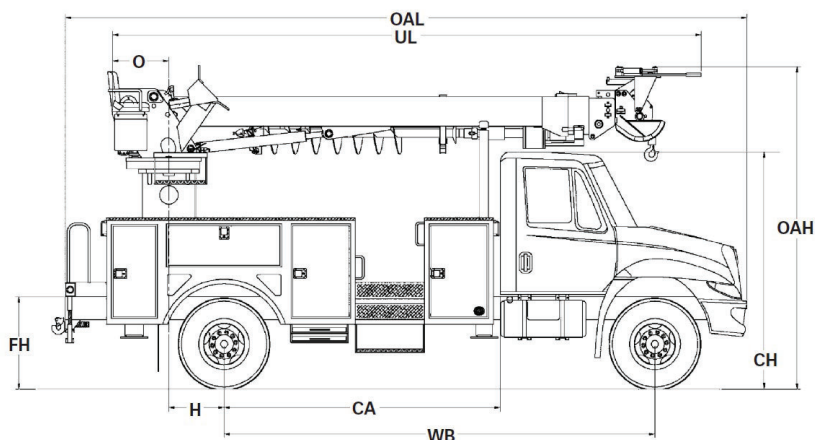


## DIGGER DERRICK

Terex® Telelect Digger Derricks are known throughout the industry. They come with a long history featuring quality and innovative design.



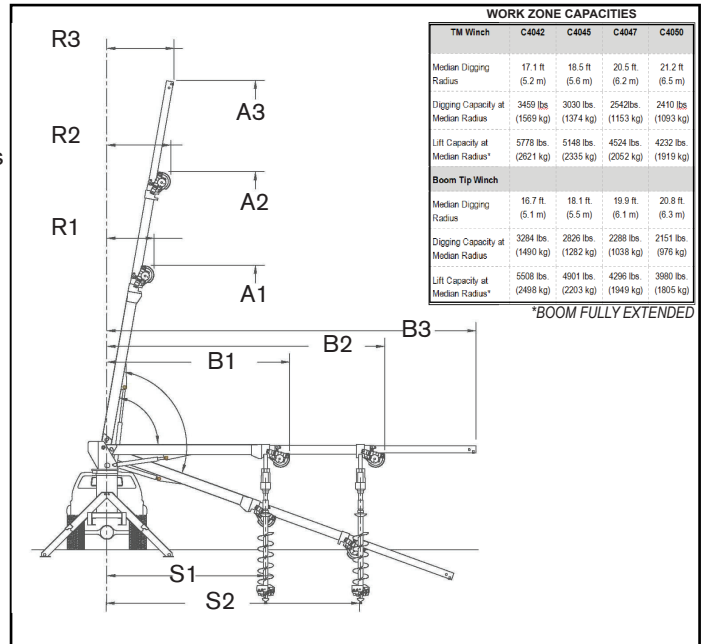
Measurements	Commander 4042	Commander 4045	Commander 4047	Commander 4050
(Minimum Recommendations)	ORA / BC / CMT	ORA / BC / CMT	ORA / BC / CMT	ORA / BC / CMT
Typical Frame Height (FH)	40 in. (101.6 cm)	40 in. (101.6 cm)	40 in. (101.6 cm)	40 in. (101.6 cm)
Typical Cab Height (CH)	103 in. (261.6 cm)	103 in. (261.6 cm)	103 in. (261.6 cm)	103 in. (261.6 cm)
Offset (O)	24.5 in. (62.2 cm)	24.5 in. (62.2 cm)	24.5 in. (62.2 cm)	24.5 in. (62.2 cm)
Overall Height (OAH)	11' 2" 11' 8" 11' 2" (3.4 m) (3.6 m) (3.4 m)	11' 2" 11' 8" 11' 2" (3.4 m) (3.6 m) (3.4 m)	11' 2" 11' 8" 11' 2" (3.4 m) (3.6 m) (3.4 m)	11' 2" 11' 8" 11' 2" (3.4 m) (3.6 m) (3.4 m)
Overall Length (OAL)	22' 6.5" 29' 1" 23' 1" (6.9 m) (8.9 m) (7.0 m)	23' 11" 30' 1" 23' 7" (7.3 m) (9.2 m) (7.2 m)	25' 6.5" 32' 1" 24' 7" (6.9 m) (9.8 m) (7.5 m)	25' 6.5" 32' 1" 24' 7" (6.9 m) (9.8 m) (7.5 m)
Unit Length (UL)	20' 4" (6.2 m)	21' 4" (6.5 m)	23' 4" (7.1 m)	23' 4" (7.1 m)
Center of Rotation (H)	24" 85.5" 44" (61 cm) (217.2 cm) (111.8 cm)	24" 97.5" 44" (61 cm) (247.2 cm) (111.8 cm)	24" 115.5" 44" (61 cm) (293.4 cm) (111.8 cm)	24" 115.5" 44" (61 cm) (293.4 cm) (111.8 cm)
Cab to Axle (CA)	102" 108" 102" (259.1 cm) (274.3 cm) (259.1 cm)	102" 108" 102" (259.1 cm) (274.3 cm) (259.1 cm)	120" 138" 102" (304.8 cm) (350 cm) (259 cm)	120" 138" 102" (304.8 cm) (350 cm) (259 cm)
Wheel Base (WB)	174" 180" 174" (442 cm) (533.4 cm) (442 cm)	180" 192" 180" (457.2 cm) (487.7 cm) (457.2 cm)	192" 210" 192" (487.7 cm) (533.4 cm) (487.7 cm)	192" 210" 192" (487.7 cm) (533.4 cm) (487.7 cm)
Front Axle (FA)	9,000 lb. (4,082 kg)	12,000 lb. (5,443 kg)	12,000 lb. (5,443 kg)	12,000 lb. (5,443 kg)
Rear Axle (RA)	19,000 lb. (8,618 kg)	19,000 lb. (8,618 kg)	19,000 lb. (8,618 kg)	19,000 lb. (8,618 kg)
Gross Vehicle Weight Rating (GVWR)	28,000 lb. (12,701 kg)	31,000 lb. (14,061 kg)	31,000 lb. (14,061 kg)	31,000 lb. (14,061 kg)
Recommended Weight for Stability	25,000 lb. (11,340 kg)	25,000 lb. (11,340 kg)	25,500 lb. (11,567 kg)	25,500 lb. (11,567 kg)
Frame Section Modulus	18.0 in <sup>3</sup>	18.0 in <sup>3</sup>	18.0 in <sup>3</sup>	18.0 in <sup>3</sup>
Frame Yield Strength	50,000 psi	50,000 psi	50,000 psi	50,000 psi
Frame RBM	900,000 in-lbs	900,000 in-lbs	900,000 in-lbs	900,000 in-lbs



# COMMANDER 4000 SERIES

## STANDARD EQUIPMENT

- 100 Degrees of Boom Travel (+80 to -20)
- Dual Lift Cylinders
- Self-Aligning Swivel Ball Bushings
- Rectangular, Bi-Axial Epoxy Resin, Filament Wound Fiberglass Booms
- Box Fabricated Steel Lower Boom and Intermediate
- Hydraulic Boom Extension Intermediate & Upper
- Full Pressure Hydraulic Controls
- Full Pressure, Open-Center Hydraulic System
- 50 Gallon Hydraulic Oil Reservoir
- Custom Made Zoned Load Chart
- Continuous Unrestricted Rotation
- 15,000 lb. Turntable Winch
- Meets or Exceeds ANSI A10.31
- Load-Sensing Worm Gear Rotation
- Right-Hand Command Post Controls
- Engine Stop/Start at Lower Controls
- Load Moment Limiter
- Boom Angle Indicator
- Outrigger Interlock
- Moving Outrigger Alarm
- Truck Level Indicator



## CAPACITIES & DIMENSIONAL DATA (Based on a 40 inch Frame Height)

Model	Maximum Capacity	Capacity @ 10 ft. Radius	Sheave Height			Load Radius			Horizontal Reach			Digging Radius	
			A1	A2	A3	R1	R2	R3	B1	B2	B3	S1	S2
<b>CMDR 4042</b> TM Winch	29,250 lb (13,881 kg)	11,800 lb (5,323 kg)	26.8 ft (8.2 m)	34.6 ft (10.5 m)	42.5 ft (13.0 m)	3.0 ft (1.0 m)	4.4 ft (1.3 m)	5.8 ft (1.8 m)	16.5 ft (5.8 m)	24.5 ft (7.5 m)	32.5 ft (9.9 m)	14.0 ft (4.3 m)	22.0 ft (6.7 m)
Boom Tip PG Winch	23,350 lb (10,592 kg)	11,250 lb (5,103 kg)	25.8 ft (7.9 m)	33.7 ft (10.3 m)	41.9 ft (12.8 m)	3.4 ft (1.0 m)	4.8 ft (1.5 m)	5.6 ft (1.7 m)	15.6 ft (4.8 m)	23.6 ft (7.2 m)	31.8 ft (9.7 m)	14.0 ft (4.3 m)	22.0 ft (6.7 m)
<b>CMDR 4045</b> TM Winch	27,500 lb (12,474 kg)	11,500 lb (5,216 kg)	27.7 ft (8.4 m)	36.6 ft (11.2 m)	45.5 ft (13.9 m)	3.1 ft (0.9 m)	4.7 ft (1.4 m)	6.3 ft (1.9 m)	17.5 ft (5.3 m)	26.5 ft (8.1 m)	35.5 ft (10.8 m)	15.0 ft (4.6 m)	24.0 ft (7.3 m)
Boom Tip PG Winch	22,250 lb (10,093 kg)	10,900 lb (4,944 kg)	26.8 ft (8.2 m)	35.7 ft (10.9 m)	44.8 ft (13.7 m)	3.6 ft (1.9 m)	5.2 ft (1.6 m)	6.1 ft (1.9 m)	16.6 ft (5.1 m)	25.6 ft (7.8 m)	34.8 ft (10.6 m)	15.0 ft (4.6 m)	24.0 ft (7.3 m)
<b>CMDR 4047</b> TM Winch	24,750 lb (11,227 kg)	11,000 lb (4,990 kg)	29.7 ft (9.1 m)	38.6 ft (11.8 m)	47.4 ft (14.4 m)	3.5 ft (1.1 m)	5.1 ft (1.6 m)	6.7 ft (2.0 m)	19.5 ft (5.9 m)	28.5 ft (8.7 m)	37.5 ft (11.4 m)	17.0 ft (5.2 m)	26.0 ft (7.9 m)
Boom Tip PG Winch	20,350 lb (9,231 kg)	10,400 lb (4,717 kg)	28.8 ft (8.8 m)	37.6 ft (11.5 m)	46.8 ft (14.3 m)	4.0 ft (1.2 m)	5.5 ft (1.7 m)	6.5 ft (2.0 m)	18.6 ft (5.7 m)	27.6 ft (8.4 m)	36.8 ft (11.2 m)	17.0 ft (5.2 m)	26.0 ft (7.9 m)
<b>CMDR 4050</b> TM Winch	24,600 lb (11,159 kg)	11,000 lb (4,990 kg)	29.7 ft (9.1 m)	40.0 ft (12.2 m)	50.4 ft (15.4 m)	3.5 ft (2.2 m)	5.3 ft (1.6 m)	7.2 ft (2.2 m)	19.5 ft (5.9 m)	30.0 ft (9.1 m)	40.5 ft (12.3 m)	17.0 ft (5.2 m)	27.5 ft (8.4 m)
Boom Tip PG Winch	20,350 lb (9,231 kg)	10,410 lb (4,722 kg)	28.8 ft (8.8 m)	39.1 ft (11.9 m)	49.7 ft (15.1 m)	4.0 ft (1.2 m)	5.8 ft (1.8 m)	7.0 ft (2.1 m)	18.6 ft (5.7 m)	29.1 ft (8.9 m)	39.8 ft (12.1 m)	17.0 ft (5.2 m)	27.5 ft (8.4 m)

## OPTIONAL EQUIPMENT

- Various Digger / Augers
  - Auger Storage Left Side (Typical)
  - Auger Storage Right Side (Subject to Configuration)
- Fiberglass Personnel Platform
  - Liners with or Without Steps
- Various Types of Controls
  - Radio Remote Controls
  - Full Pressure Upper Controls
  - Single Stick "T" Controls
- Engine Stop/Start and Throttle Advance at Top Controls
- Various Types of Throttle Advance at Lower Controls
- Boom Tip Winch
- Material Handling Jibs
- Transferable Pole Flanges
- Various Sizes of Pole Guides
- Pole Guide Interlock
- Planetary Slip Brake Rotation
- Manual Fiberglass 4th Section (Adds 4 ft.)
- Hydraulic Tool Outlets
- Pole Puller
- Multi-Part Line Components
- Corner Mount Derricks
- Boom Storage Warning Light
- Outrigger Sag Light
- Various Types of Outriggers
- Truck Grounding Cable & Clamp

Effective Date: July 2020 Product specifications and prices are subject to change without notice or obligation. The photographs and/or drawings in this document are for illustrative purposes only. Refer to the appropriate Operator's Manual for instructions on the proper use of this equipment. Failure to follow the appropriate Operator's manual when using our equipment or to otherwise act irresponsibly may result in serious injury or death. The only warranty applicable to our equipment is the standard written warranty applicable to the particular product and sale and Terex makes no other warranty, express or implied. Products and services listed may be trademarks, service marks or trade-names of Terex Corporation and/or its subsidiaries in the USA and other countries. All rights are reserved. Terex® is a registered trademark of Terex Corporation in the USA and many other countries. Copyright 2020 Terex Corporation.