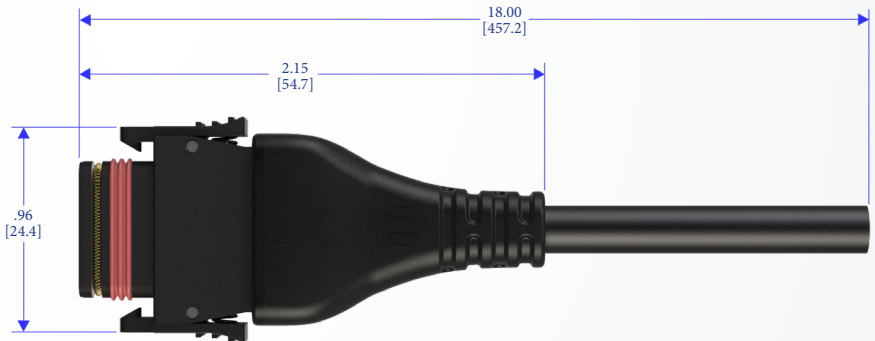
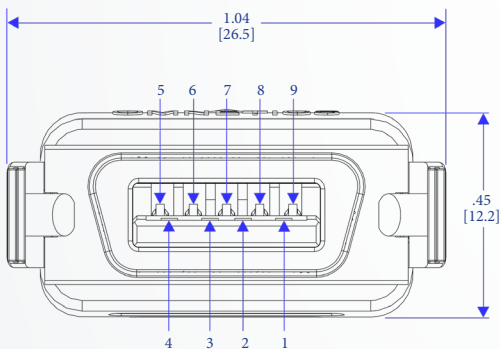
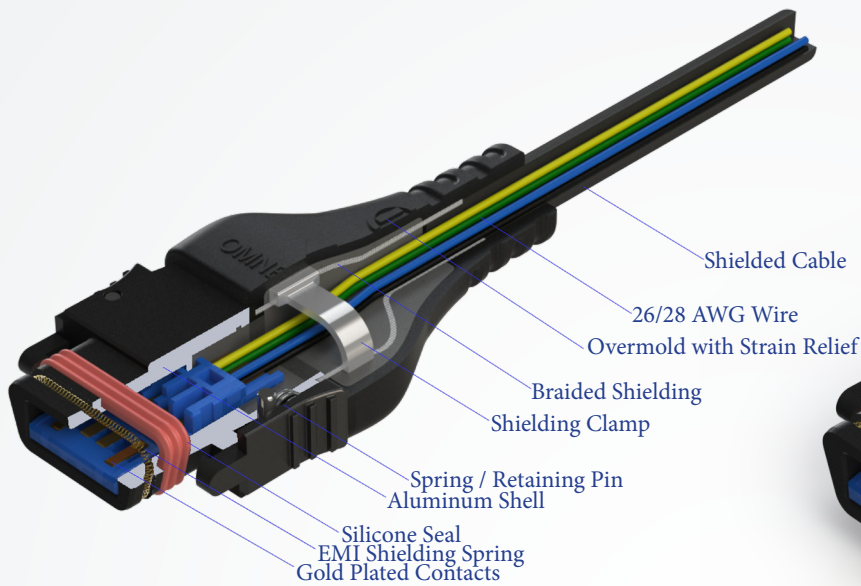





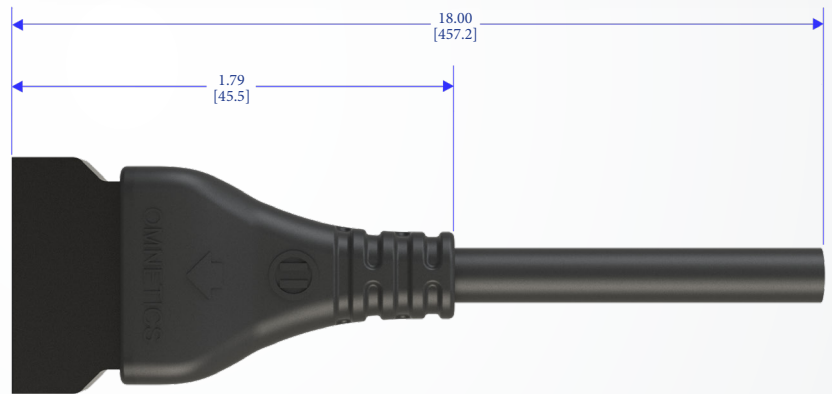
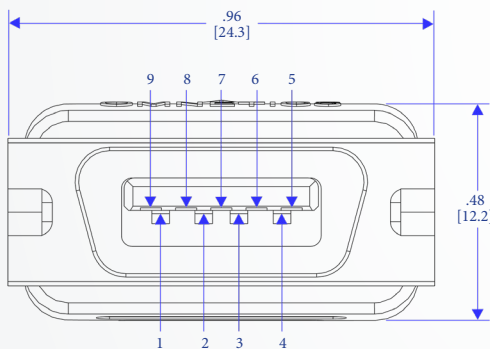
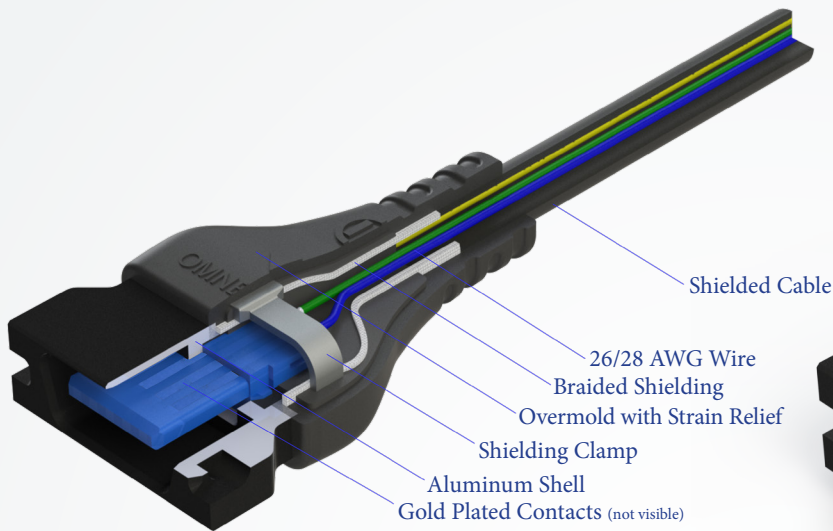
Quick Lock USB 3.0 Plug






9 Contact Plug				
Socket #	Color	Notes	Specifications	AWG
1	Red	-	+5 V Power	26 AWG
2	White	Pair 	USB 2.0 Differential Pair	28AWG
3	Green			
4	Black	-	Ground for Power Return	26 AWG
5	Blue	Twisted Pair 	SuperSpeed Receiver Differential Pair	26 AWG
6	Yellow			
7	Bare	Drain Wires From 26 AWG Twisted Pairs	Ground for Signal Return	-
8	Violet	Twisted Pair 	SuperSpeed Transmitter Differential Pair	26 AWG
9	Orange			

Computer rendered images are for illustrative purposes only. Although every precaution has been taken, variances in color, hue and texture may vary slightly from image. Dimension are in inches [millimeters] and are subject to change without notice.

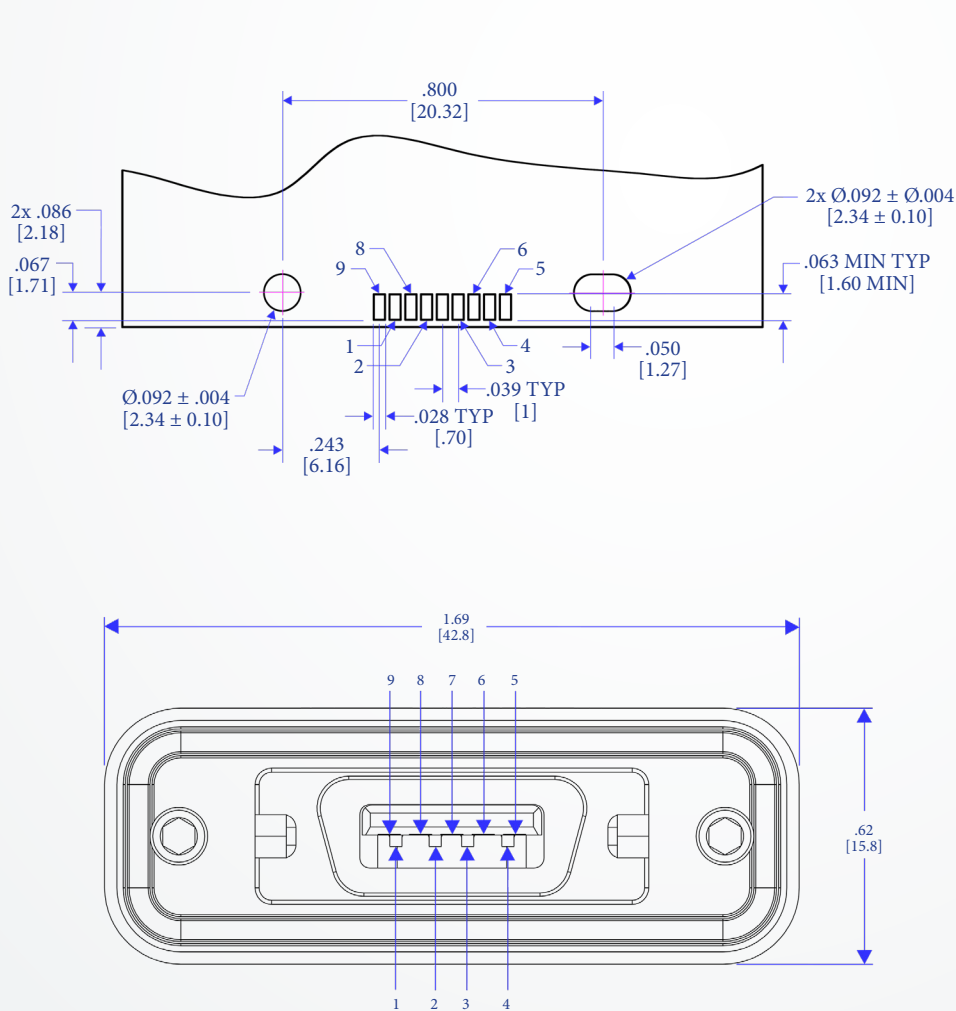
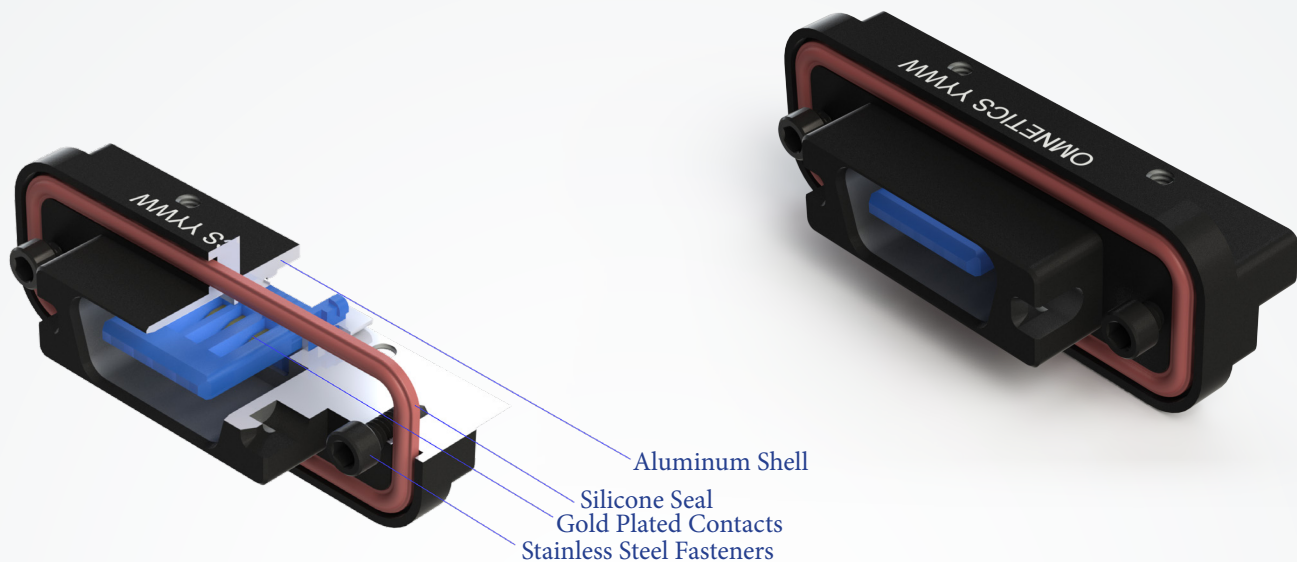
Quick Lock USB 3.0 Receptacle



9 Contact Receptacle				
Socket #	Color	Notes	Specifications	AWG
1	Red	-	+5 V Power	26 AWG
2	White	Pair 	USB 2.0 Differential Pair	28AWG
3	Green			
4	Black	-	Ground for Power Return	26 AWG
5	Blue	Twisted Pair 	SuperSpeed Receiver Differential Pair	26 AWG
6	Yellow			
7	Bare	Drain Wires From 26 AWG Twisted Pairs	Ground for Signal Return	-
8	Violet	Twisted Pair 	SuperSpeed Transmitter Differential Pair	26 AWG
9	Orange			

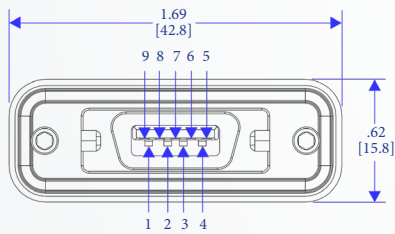
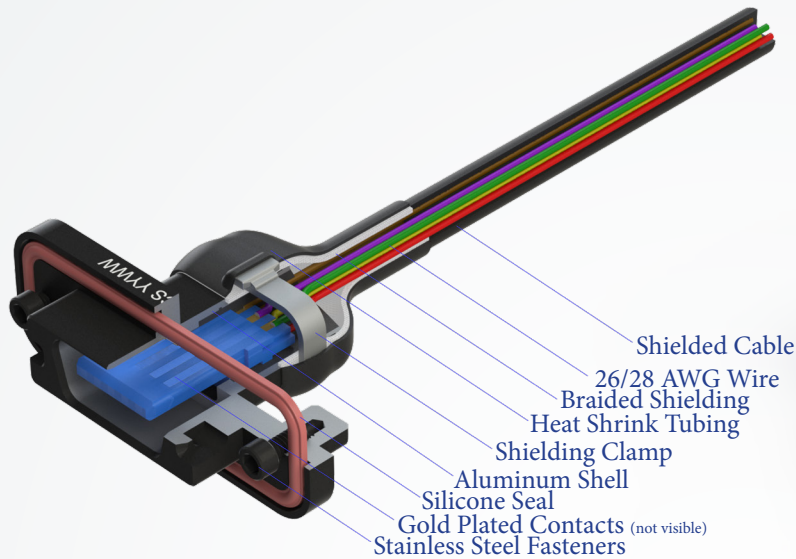
Computer rendered images are for illustrative purposes only. Although every precaution has been taken, variances in color, hue and texture may vary slightly from image. Dimension are in inches [millimeters] and are subject to change without notice.




Quick Lock USB 3.0 Receptacle Panel Mount



Computer rendered images are for illustrative purposes only. Although every precaution has been taken, variances in color, hue and texture may vary slightly from image. Dimension are in inches [millimeters] and are subject to changes without notice.

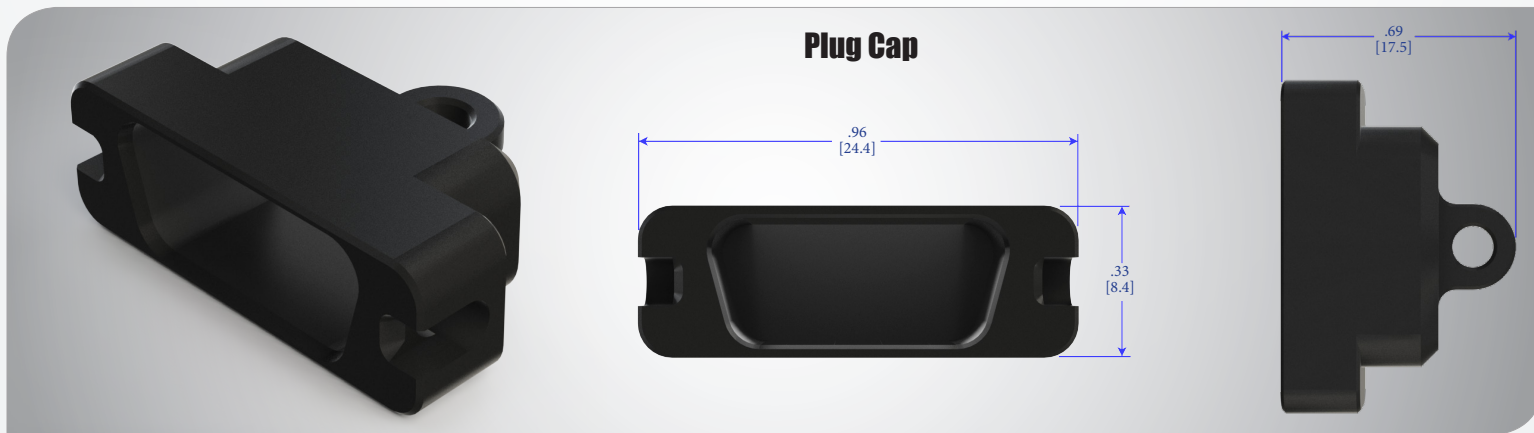
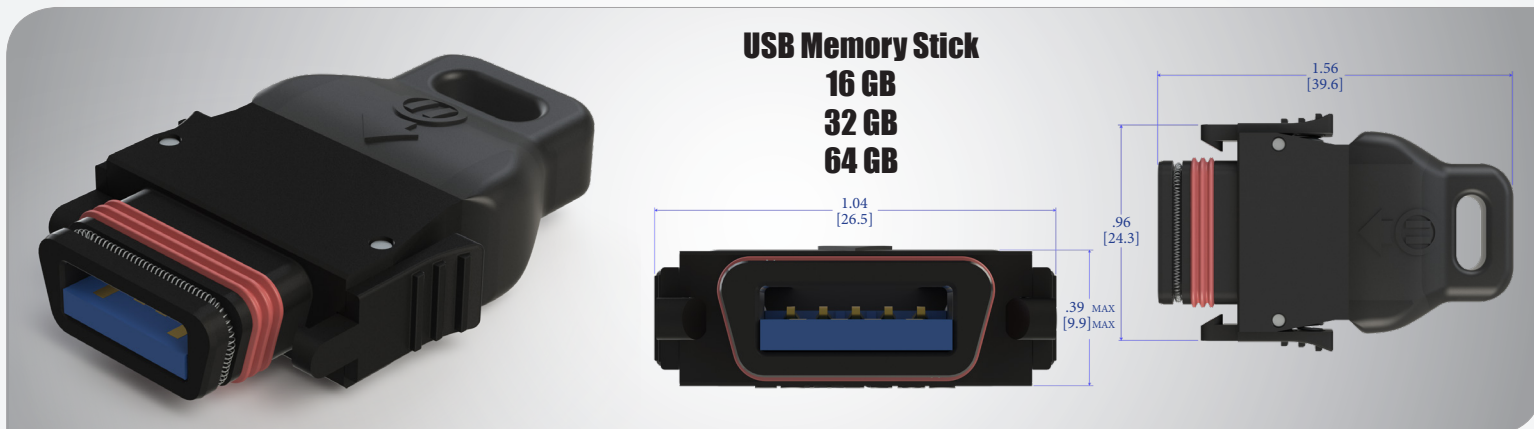
Quick Lock USB 3.0 Receptacle



9 Contact Receptacle				
Socket #	Color	Notes	Specifications	AWG
1	Red	-	+5 V Power	26 AWG
2	White	Pair 	USB 2.0 Differential Pair	28AWG
3	Green			
4	Black	-	Ground for Power Return	26 AWG
5	Blue	Twisted Pair 	SuperSpeed Receiver Differential Pair	26 AWG
6	Yellow			
7	Bare	Drain Wires From 26 AWG Twisted Pairs	Ground for Signal Return	-
8	Violet	Twisted Pair 	SuperSpeed Transmitter Differential Pair	26 AWG
9	Orange			

Computer rendered images are for illustrative purposes only. Although every precaution has been taken, variances in color, hue and texture may vary slightly from image. Dimension are in inches [millimeters] and are subject to change without notice.

Quick Lock USB 3.0 Accessories



Computer rendered images are for illustrative purposes only. Although every precaution has been taken, variances in color, hue and texture may vary slightly from image. Dimension are in inches [millimeters] and are subject to change without notice.