

Portable Control Unit TS2



The Portable Control Unit TS2 is used for controlling and monitoring the necessary equipment. The chest panel and straps enable the operator to carry it without becoming tired. An adjustable carrying strap can also be fitted for use without the chest plate.

Surface treatment:
Priming and structure-finishing paint
Standard colour RAL 7032 pebble-grey

Technical data:

Operation temperature	-40°C to +85°C
Degree of protection	IP65

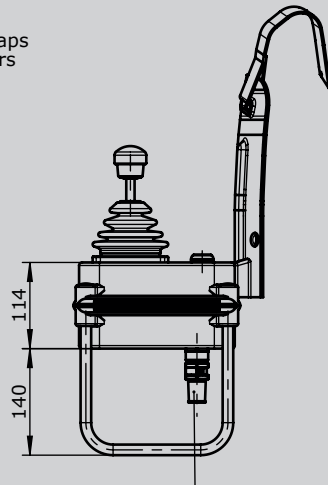


		TS2	-SB 1	-RH 1	-K 3	-HS 1	/	V...	/	KLS	/	X
Basic unit												
TS2	With chest plate, straps											
TS21	With straps											
TS22	With bracket and straps											
Attachment												
SB 1	Legs for control unit alu-tube 2 pieces											
SB 2	Legs for control unit stainless steel-tube V2 A 2 pieces											
RH 1	Reeling hooks for control unit stainless steel V2 A											
K 1	Cable entry M32 cable 11 - 21 mm											
K 2	Cable entry M40 cable 19 - 28 mm											
K 3	Cable entry 180° swiveling M32 cable 11-21 mm											
HS 1	Plug in socket 16-pole male insert					HAN 16E without wiring						
HB 1	Connector 16-pole female insert					HAN 16E without wiring						
HS 2	Plug in socket 24-pole female insert					HAN 24E without wiring						
HB 2	Connector 24-pole female insert					HAN 24E without wiring						
HS 3	Plug in socket 32-pole male insert					HAN 32E without wiring						
HB 3	Connector 32-pole female insert					HAN 32E without wiring						
<i>Indicating labels not engraved for multi-axis-/ Single-Axis Controller</i>												
<i>Indicating labels engraved for multi-axis-/ Single-Axis Controller</i>												
Mounting for equipment boxes												
V	Multi-Axis Controller (see page 1)											
N	Control-Switch (see page 113)											
<i>More command and indicating devices (see page 137 and 243)</i>												

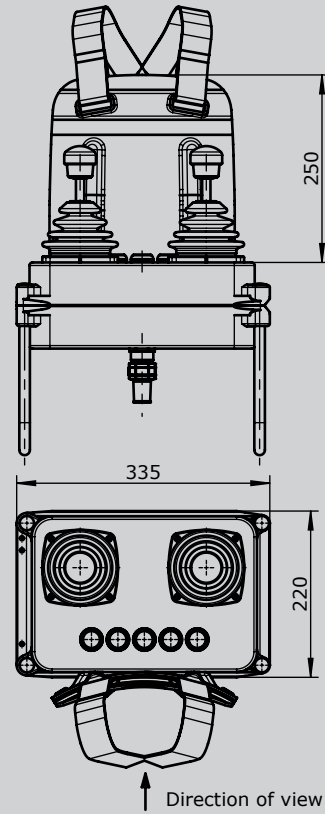
TS 2 -SB 1 -RH 1 -K 3 -HS 1 / V... / KLS / X

Cable and wiring				
Cable Oelflex Classic FD 810 P	18 x 1 mm ²	13,9 mm Ø	-5°C to +70°C	each meter
Cable Oelflex Classic FD 810 P	25 x 1 mm ²	16,4 mm Ø	-5°C to +70°C	each meter
Cable Oelflex Classic FD 810 P	34 x 1 mm ²	18,9 mm Ø	-5°C to +70°C	each meter
Cable Ölflex Crane	18 x 1 mm ²	19,2 mm Ø	-25°C to +80°C	each meter
Cable Ölflex Crane	24 x 1 mm ²	22,1 mm Ø	-25°C to +80°C	each meter
Cable Ölflex Crane	36 x 1 mm ²	26,1 mm Ø	-25°C to +80°C	each meter
KLS	Wired on connector / plug in socket per core			
KLK	Wiring for cable per core			
Special model				
X	Special / customer specified			
X1	Housing antistatic design < 10 ⁹ Ohm/cm			
X2	Finishing color yellow RAL 1021			

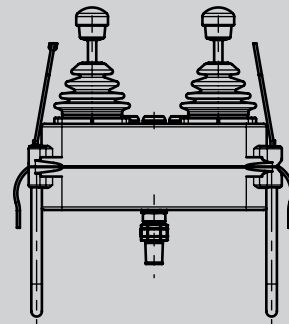
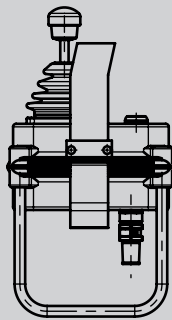
With chest plate and straps
with multi-axis controllers



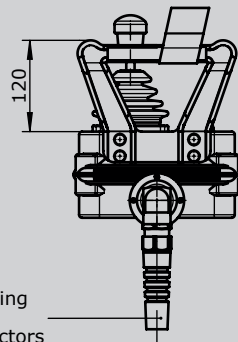
Cable entry
with anti-kink protection
and stain relief or connectors



With adjustable carrying strap
with multi-axis controllers



With bracket and cable entry swivelling
with multi-axis controllers



Cable entry 180° swivelling
with anti-kink protection
and stain relief or connectors

