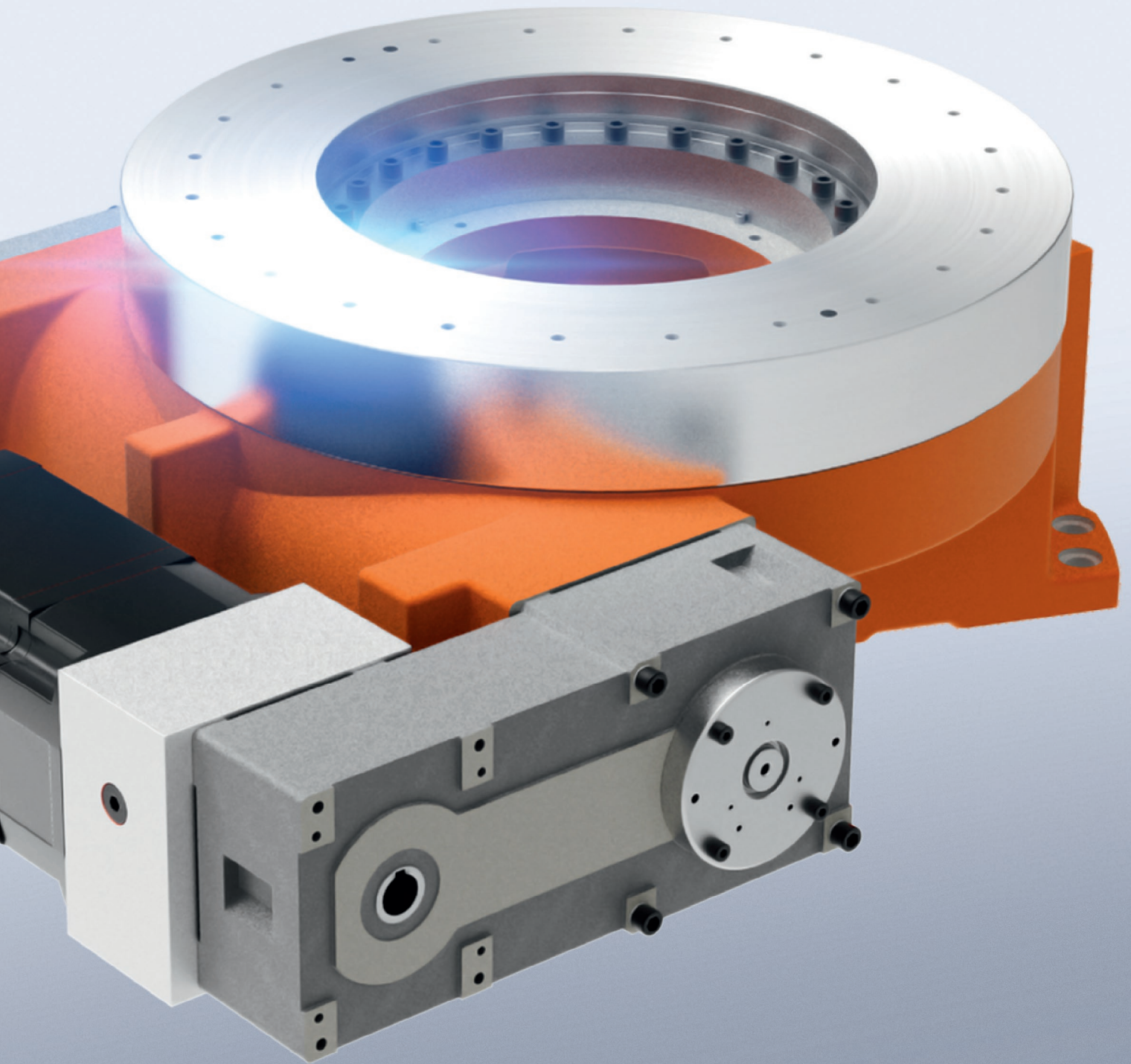


WE LOVE TECHNOLOGY



DATA SHEET COLLECTION
FIBROTOR®
VR.NC.

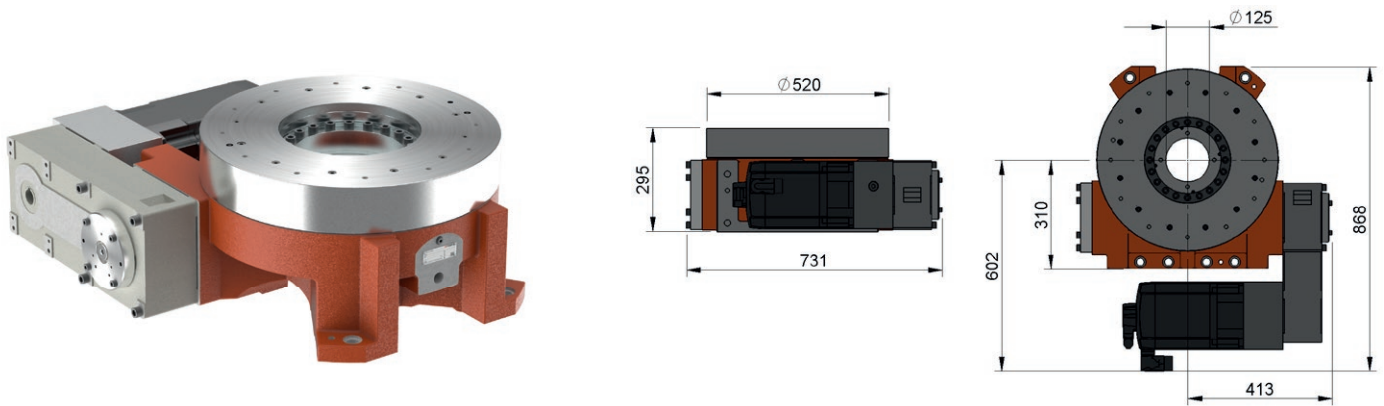


MEMBER OF THE LÄPPLE GROUP



FIBROTOR® VR.NC.16

DIMENSIONS



CAD-files and technical data can be downloaded from www.fibrotor.en/downloads.

ENCODING

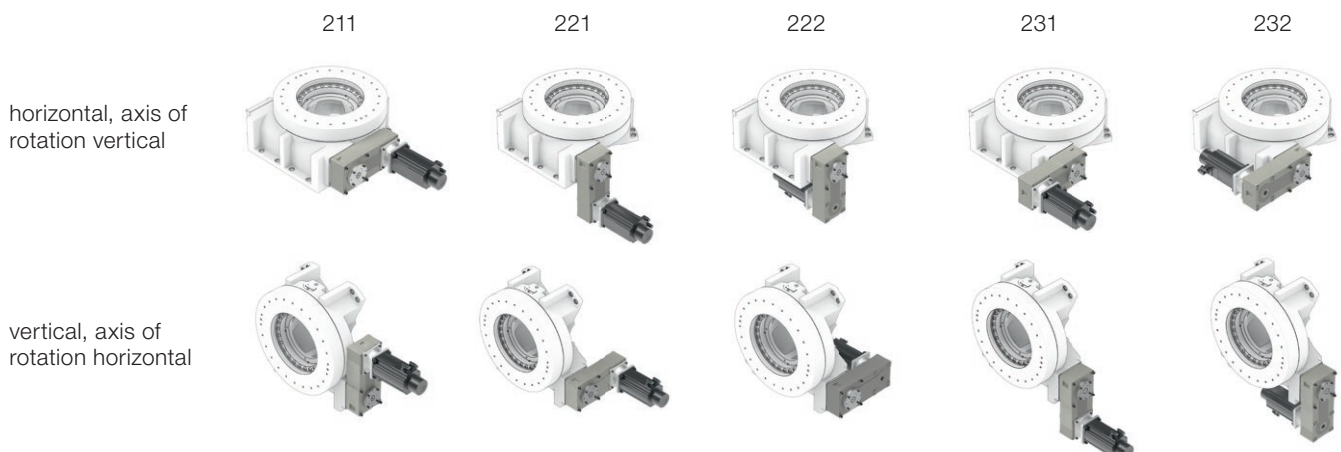
VR.NC.16

TECHNICAL DATA

CODE

Table top dimensions	2	Standard dimensions Ø 520 mm	.0520
		without motor	.0
Drive motor	3	AC servomotor (SIEMENS) 1FK7105	.7
		Special version	.9
Drive arrangement	4	see drive arrangements	.XXX
Division	5	NC-programmable	.00
	6	without additional modules	.0
Additional modules	7	Standard (horizontal, axis of rotation vertical)	.0
		Trunnion Drive (vertical, axis of rotation horizontal)	.3
	8	without additional modules	.0

DRIVE ARRANGEMENT

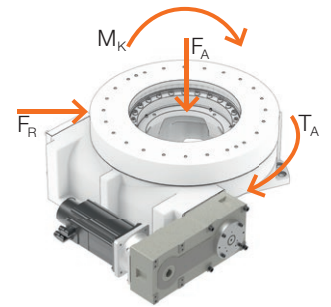


TECHNICAL DATA

Indexing accuracy in arc seconds		± 25"
Indexing accuracy in arc length	Ø 520 mm	± 0.031 mm
Repeatability in arc seconds		± 8"
Repeatability in arc length	Ø 520 mm	± 0.01 mm
Axial runout table top	based on Ø 520 mm	0.04 mm
Concentricity centre hole	based on Ø 245 mm	0.05 mm
Plane parallelism	based on Ø 520 mm	0.10 mm
Centre hole		Ø 125 mm
Direction of rotation		CW-CCW rotation
Working position	Standard	horizontal, axis of rotation vertical
	Trunnion Drive execution	vertical, axis of rotation horizontal
	upside-down	on demand
Weight	without motor	ca. 390 kg

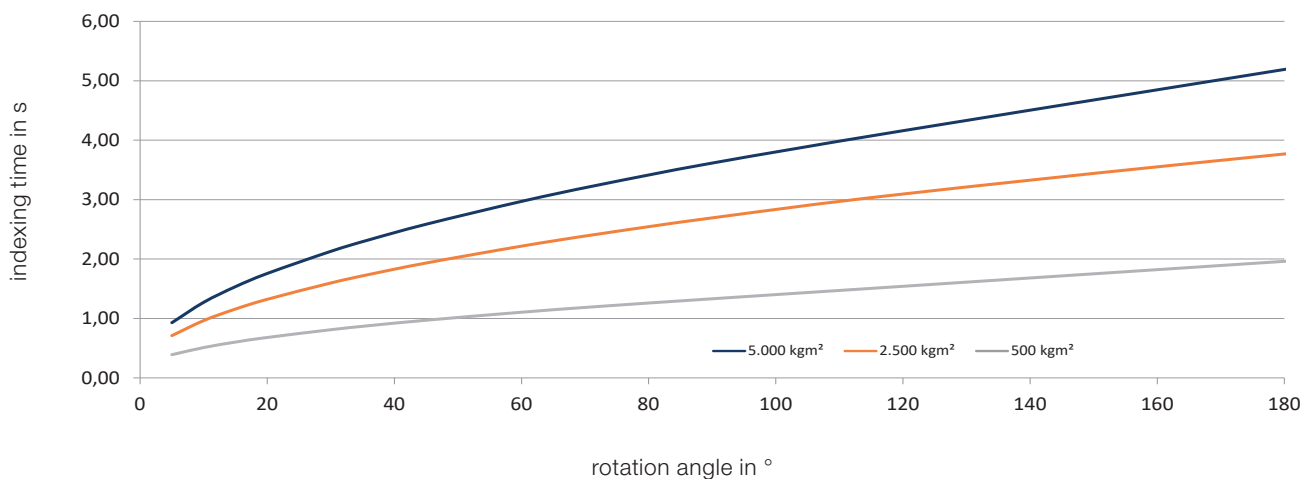
LOAD DATA*

Perm. add-on diameter	mm	3,400
Perm. axial loading on rotating table top $F_{A \text{ dyn}}$	N	78,000
Perm. axial loading on positioned table top $F_{A \text{ stat}}$	N	148,000
Perm. radial loading on rotating table top $F_{R \text{ dyn}}$	N	36,000
Perm. radial loading on positioned table top $F_{R \text{ stat}}$	N	51,000
Perm. tilting moment on rotating table top $M_{K \text{ dyn}}$	Nm	8,000
Perm. tilting moment on positioned table top $M_{K \text{ stat}}$	Nm	13,300
Perm. drive torque on rotating table top $T_{A \text{ dyn}}$	Nm	5,100
Perm. tangential moment on positioned table top $T_{A \text{ stat}}$	Nm	5,800



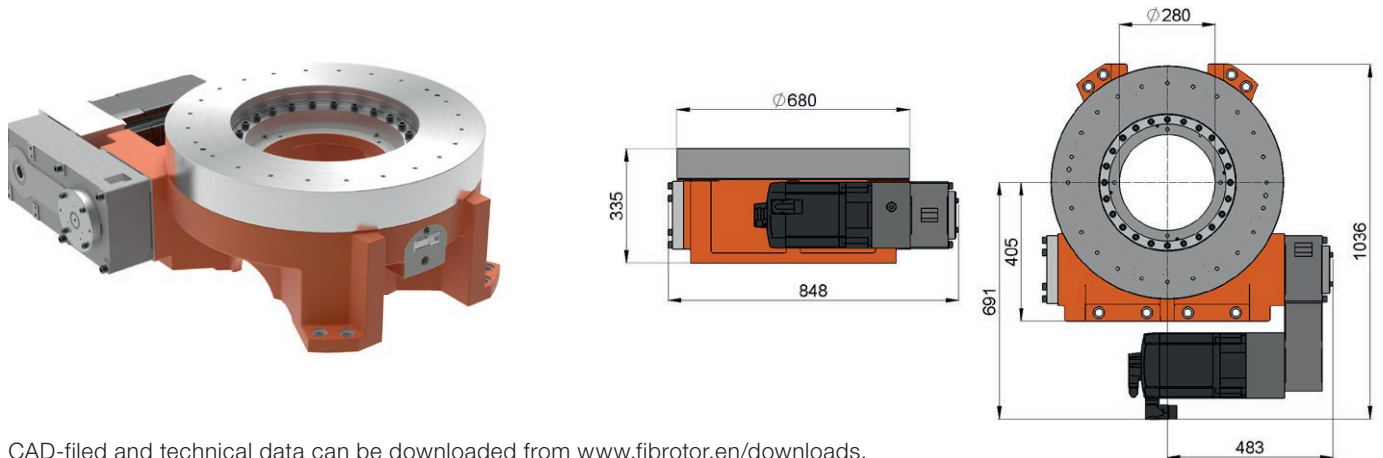
*combined loads only after examination by FIBRO

INDEXING TIMES



FIBROTOR® VR.NC.17

DIMENSIONS



CAD-files and technical data can be downloaded from www.fibrotor.en/downloads.

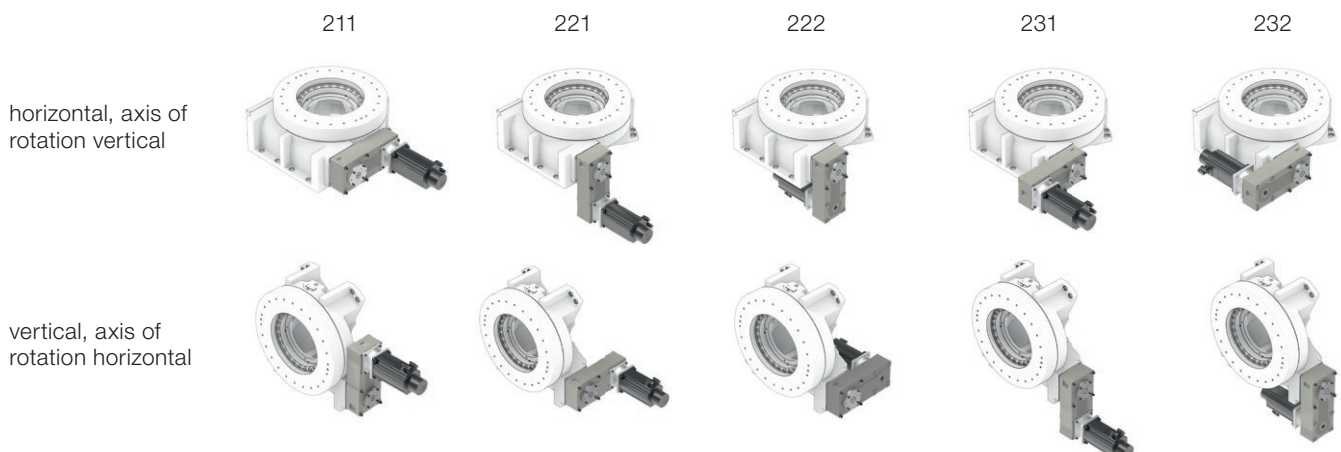
ENCODING .

TECHNICAL DATA

CODE

Table top dimensions	2	Standard dimensions Ø 680 mm	.0680
		without motor	.0
Drive motor	3	AC servomotor (SIEMENS) 1FK7105	.7
		Special version	.9
Drive arrangement	4	see drive arrangements	.XXX
Division	5	NC-programmable	.00
	6	without additional modules	.0
Additional modules	7	Standard (horizontal, axis of rotation vertical)	.0
		Trunnion Drive (vertical, axis of rotation horizontal)	.3
	8	without additional modules	.0

DRIVE ARRANGEMENT

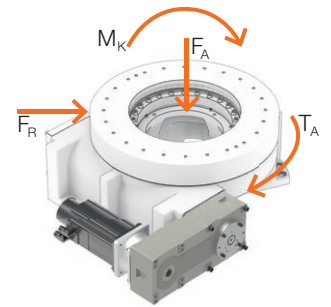


TECHNICAL DATA

Indexing accuracy in arc seconds		± 20"
Indexing accuracy in arc length	Ø 680 mm	± 0.033 mm
Repeatability in arc seconds		± 5"
Repeatability in arc length	Ø 680 mm	± 0.008 mm
Axial runout table top	based on Ø 680 mm	0.04 mm
Concentricity centre hole	based on Ø 400 mm	0.05 mm
Plane parallelism	based on Ø 680 mm	0.10 mm
Centre hole		Ø 280 mm
Direction of rotation		CW-CCW rotation
Working position	Standard	horizontal, axis of rotation vertical
	Trunnion Drive execution	vertical, axis of rotation horizontal
	upside-down	on demand
Weight	without motor	ca. 550 kg

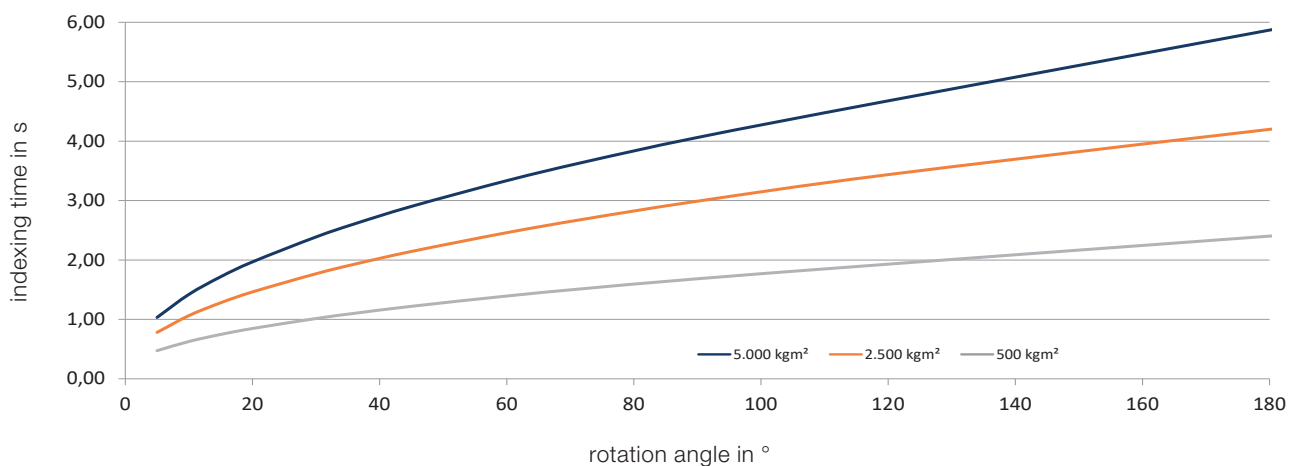
LOAD DATA*

Perm. add-on diameter	mm	4,700
Perm. axial loading on rotating table top $F_{A \text{ dyn}}$	N	102,000
Perm. axial loading on positioned table top $F_{A \text{ stat}}$	N	192,000
Perm. radial loading on rotating table top $F_{R \text{ dyn}}$	N	48,000
Perm. radial loading on positioned table top $F_{R \text{ stat}}$	N	67,000
Perm. tilting moment on rotating table top $M_{K \text{ dyn}}$	Nm	15,000
Perm. tilting moment on positioned table top $M_{K \text{ stat}}$	Nm	22,000
Perm. drive torque on rotating table top $T_{A \text{ dyn}}$	Nm	10,400
Perm. tangential moment on positioned table top $T_{A \text{ stat}}$	Nm	12,000



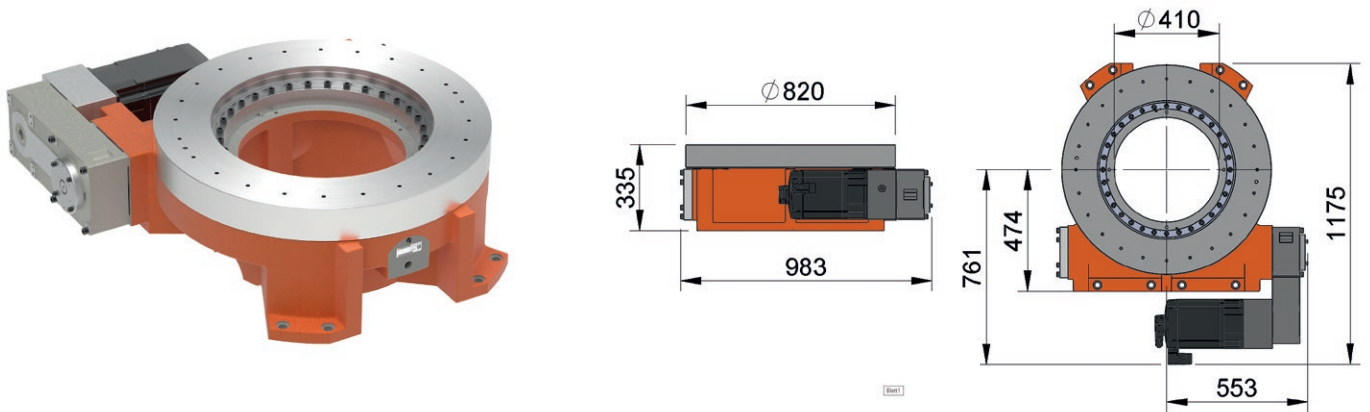
*combined loads only after examination by FIBRO

INDEXING TIMES



FIBROTOR® VR.NC.18

DIMENSIONS



CAD-files and technical data can be downloaded from www.fibrotor.en/downloads.

ENCODING

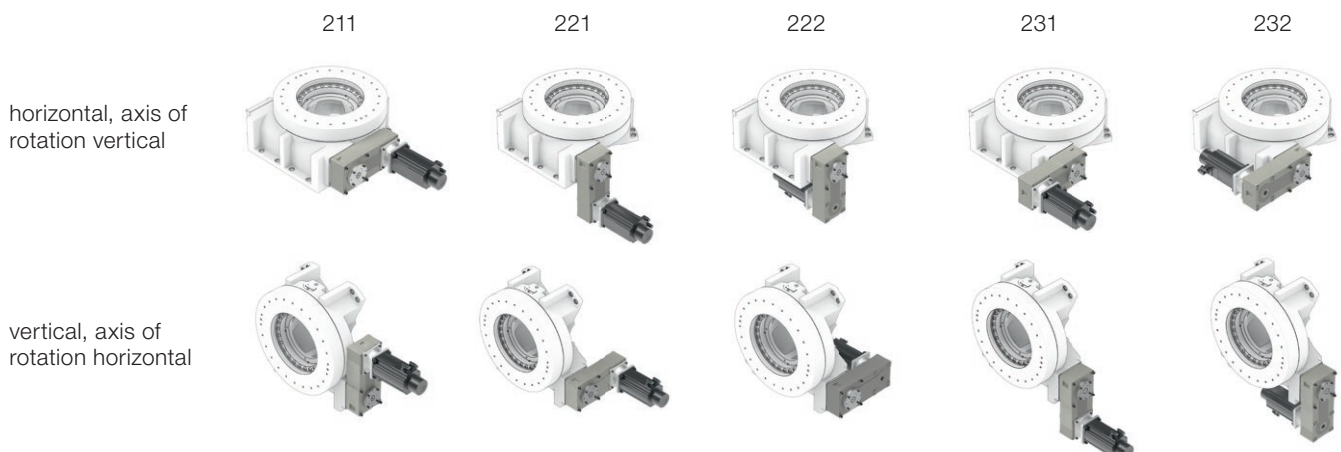
VR.NC.18	2	3	4	5	6	7	8

TECHNICAL DATA

CODE

Table top dimensions	2	Standard dimensions Ø 820 mm	.0820
		without motor	.0
Drive motor	3	AC servomotor (SIEMENS) 1FK7105	.7
		Special version	.9
Drive arrangement	4	see drive arrangements	.XXX
Division	5	NC-programmable	.00
	6	without additional modules	.0
Additional modules	7	Standard (horizontal, axis of rotation vertical)	.0
		Trunnion Drive (vertical, axis of rotation horizontal)	.3
	8	without additional modules	.0

DRIVE ARRANGEMENT

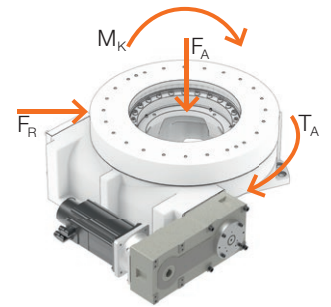


TECHNICAL DATA

Indexing accuracy in arc seconds		± 20"
Indexing accuracy in arc length	Ø 820 mm	± 0.039 mm
Repeatability in arc seconds		± 5"
Repeatability in arc length	Ø 820 mm	± 0.010 mm
Axial runout table top	based on Ø 820 mm	0.05 mm
Concentricity centre hole	based on Ø 540 mm	0.06 mm
Plane parallelism	based on Ø 820 mm	0.10 mm
Centre hole		Ø 410 mm
Direction of rotation		CW-CCW rotation
Working position	Standard	horizontal, axis of rotation vertical
	Trunnion Drive execution	vertical, axis of rotation horizontal
	upside-down	on demand
Weight	without motor	ca. 650 kg

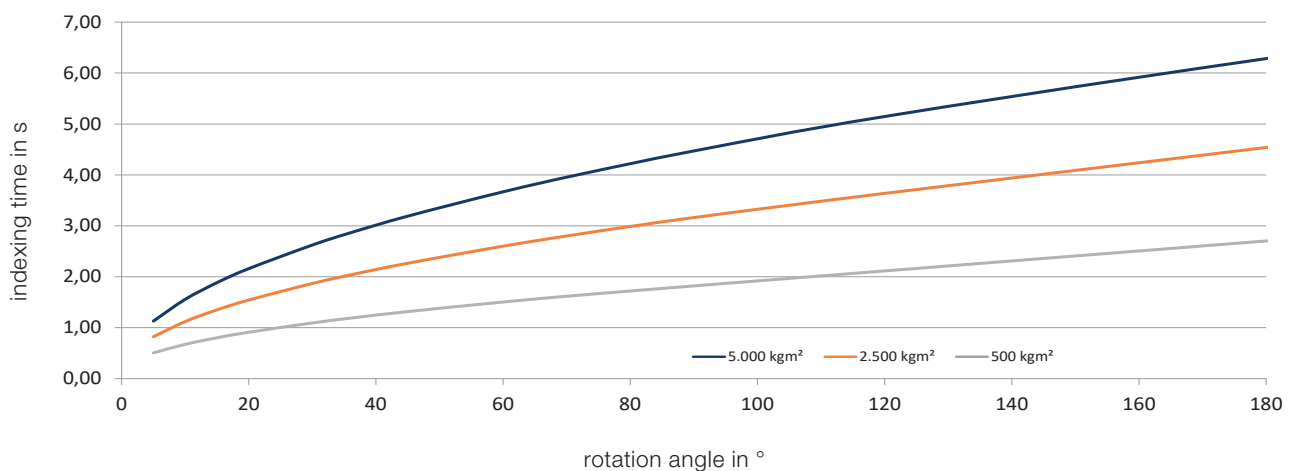
LOAD DATA*

Perm. add-on diameter	mm	6,800
Perm. axial loading on rotating table top $F_{A \text{ dyn}}$	N	127,000
Perm. axial loading on positioned table top $F_{A \text{ stat}}$	N	234,000
Perm. radial loading on rotating table top $F_{R \text{ dyn}}$	N	64,000
Perm. radial loading on positioned table top $F_{R \text{ stat}}$	N	90,000
Perm. tilting moment on rotating table top $M_{K \text{ dyn}}$	Nm	24,000
Perm. tilting moment on positioned table top $M_{K \text{ stat}}$	Nm	40,000
Perm. drive torque on rotating table top $T_{A \text{ dyn}}$	Nm	12,800
Perm. tangential moment on positioned table top $T_{A \text{ stat}}$	Nm	16,000



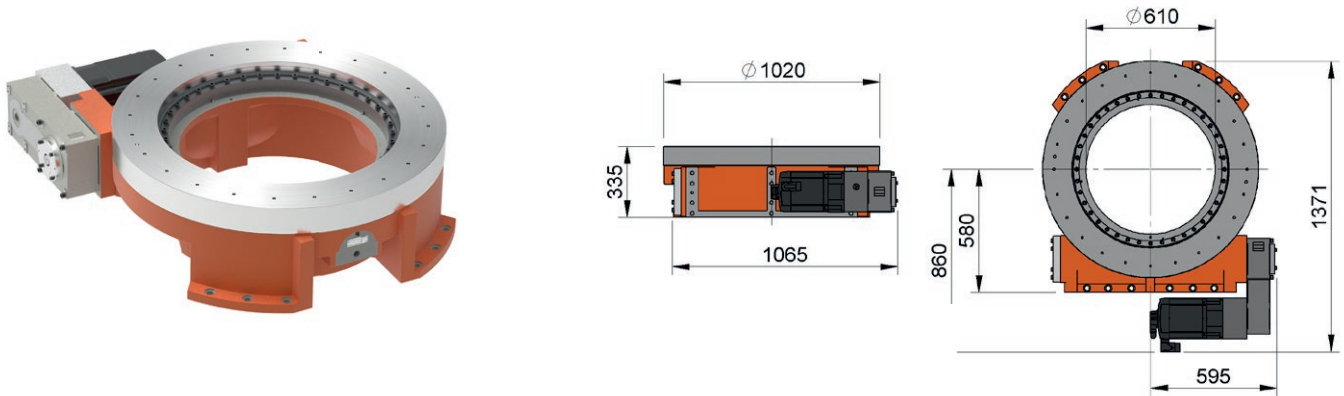
*combined loads only after examination by FIBRO

INDEXING TIMES



FIBROTOR® VR.NC.20

DIMENSIONS



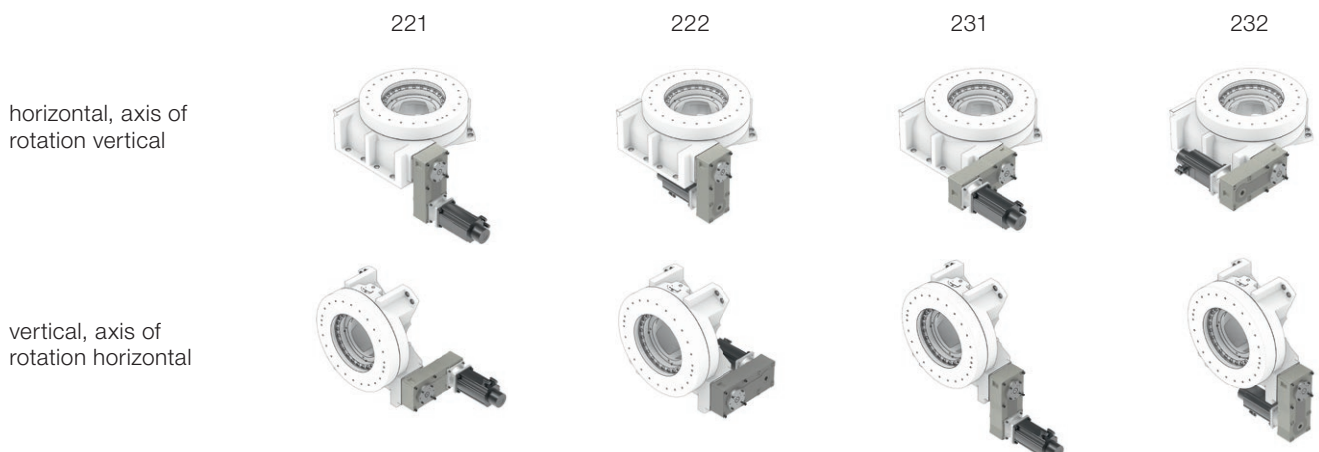
CAD-files and technical data can be downloaded from www.fibrotor.en/downloads.

ENCODING

VR.NC.20	2	3	4	5	6	7	8

TECHNICAL DATA		CODE	
Table top dimensions	2	Standard dimensions Ø 1.020 mm without motor	.1020 .0
Drive motor	3	AC servomotor (SIEMENS) 1FK7105 Special version	.7 .9
Drive arrangement	4	see drive arrangements	.XXX
Division	5	NC-programmable	.00
Additional modules	6	without additional modules	.0
	7	Standard (horizontal, axis of rotation vertical) Trunnion Drive (vertical, axis of rotation horizontal)	.0 .3
	8	without additional modules	.0

DRIVE ARRANGEMENT

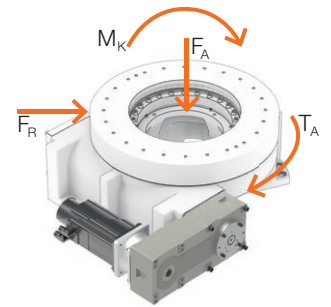


TECHNICAL DATA

Indexing accuracy in arc seconds		± 20"
Indexing accuracy in arc length	Ø 1,020 mm	± 0.049 mm
Repeatability in arc seconds		± 5"
Repeatability in arc length	Ø 1,020 mm	± 0.012 mm
Axial runout table top	based on Ø 1,020 mm	0.05 mm
Concentricity centre hole	based on Ø 740 mm	0.08 mm
Plane parallelism	based on Ø 1,020 mm	0.10 mm
Centre hole		Ø610 mm
Direction of rotation		CW-CCW rotation
Working position	Standard	horizontal, axis of rotation vertical
	Trunnion Drive execution	vertical, axis of rotation horizontal
	upside-down	on demand
Weight	without motor	ca. 820 kg

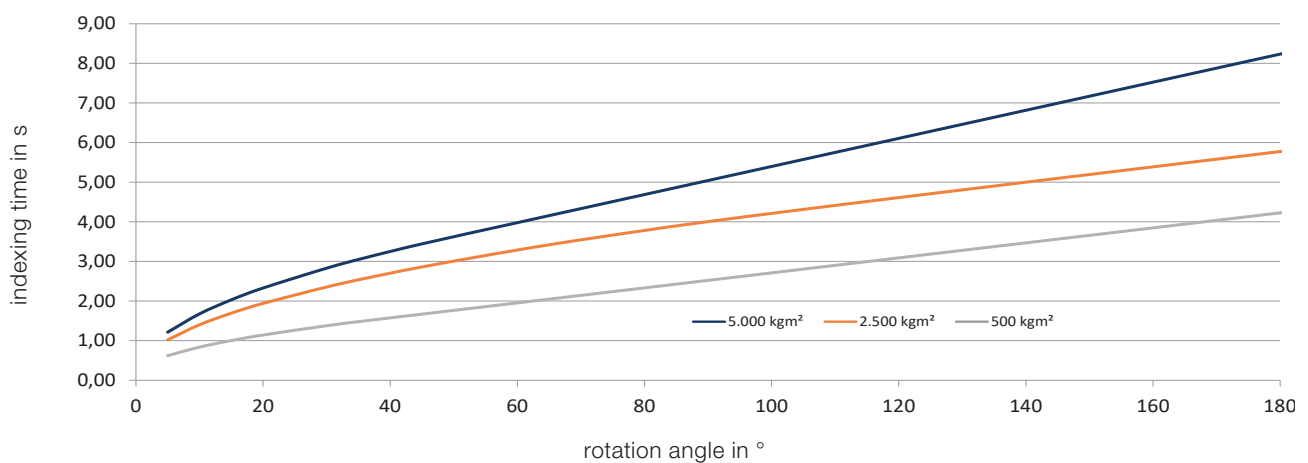
LOAD DATA*

Perm. add-on diameter	mm	8,800
Perm. axial loading on rotating table top $F_{A \text{ dyn}}$	N	175,000
Perm. axial loading on positioned table top $F_{A \text{ stat}}$	N	316,000
Perm. radial loading on rotating table top $F_{R \text{ dyn}}$	N	90,000
Perm. radial loading on positioned table top $F_{R \text{ stat}}$	N	112,000
Perm. tilting moment on rotating table top $M_{K \text{ dyn}}$	Nm	45,000
Perm. tilting moment on positioned table top $M_{K \text{ stat}}$	Nm	75,000
Perm. drive torque on rotating table top $T_{A \text{ dyn}}$	Nm	16,750
Perm. tangential moment on positioned table top $T_{A \text{ stat}}$	Nm	28,000



*combined loads only after examination by FIBRO

INDEXING TIMES





WE LOVE TECHNOLOGY