

The Type FRI-30 is an adjustable indicating air flow controller consisting of a differential regulator, needle valve and variable area flow meter.

It is suitable for level control and air purge applications.

- Adjustable indicating air flow controller
- Suitable for level and air purge control
- Tamperproof cover
- High Accuracy
- Available in Standard and Hazardous applications

TYPICAL APPLICATIONS



Industry:

Ideal for control room installation for level control applications.

Solution:

The FRI unit needs sufficient air pressure or gas pressure (nitrogen is used in some instances) at the inlet port to exceed the maximum expected head pressure plus 5 psi. This will ensure that a flow can be established, when levels are at their maximum.



TECHNICAL DATA

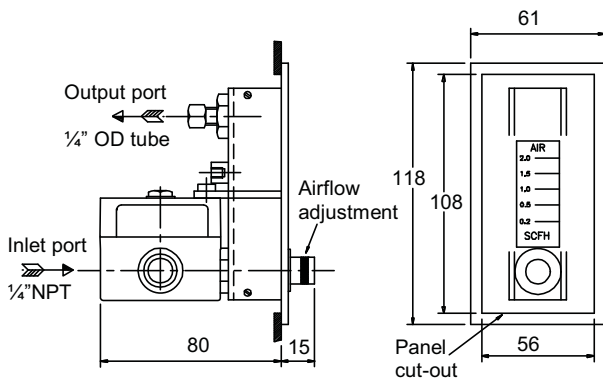
Construction

•Materials	Body (controller):	Die cast zinc alloy
	Flowmeter Tube:	Acrylic
	Float:	Glass
	Diaphragm:	Fairprene
	Valve & Internal Items:	Stainless steel, brass
•Mounting	Panel, upright	
•Pneumatic connection	Inlet: 1/4" NPT Outlet: 1/4" OD tube	
•Finish	Natural aluminium and black stove enamel	
•Weight	600g	

Technical Details

•Supply pressure	Up to 100psi (7bar, 700kpa)
•Fixed differential Pressure	5psi (0.3bar, 35kpa)
•Media	Air or dry non corrosive gas filtered to 25µm
•Working temperature	0-60°C

Installation Diagram



Ordering Information

Range	Part Number
0.2-2scfh	250000R
100-1000cc/min	260000R

Your distributor:

Coulton Instrumentation Ltd

17 Somerford Business Park, Christchurch, BH23 3RU, UK

Tel: +44 1202 480 303

E-mail: sales@coulton.com

Web: www.coulton.com

dsFRI30N 10/06

Controlled Doc. 2006-128a

All instruments are tested on the Watson Smith Automatic Testing System and an individual test certificate is provided at no extra charge. Each unit is tested for linearity, hysteresis, total error, air consumption, response time and supply sensitivity.

Our policy is one of continuous research and development. We therefore reserve the right to amend without notice the specifications given in this document. Customers are responsible for ensuring that the product is used only for the purpose for which it is intended. In case of doubt Norgren will be pleased to advise.