

PowerTilt® NG

PTA-Model Actuators for Tilting Couplers



ENGINEERING YOUR SUCCESS.

The Next Generation of Tilting

Excavator Attachment Manufacturers - Add value by transforming the PowerTilt actuator into a tilting quick coupler by adding side plates, bosses and quick coupler

Integral Rotary Union for Coupler

- Eliminates hoses and hose guards
- Simplified hose routings

Reduced Weight

- Better stability
- Decreased fuel costs

Improved Holding Force

- Increased Productivity

Hardened Seal and Bearing Surfaces

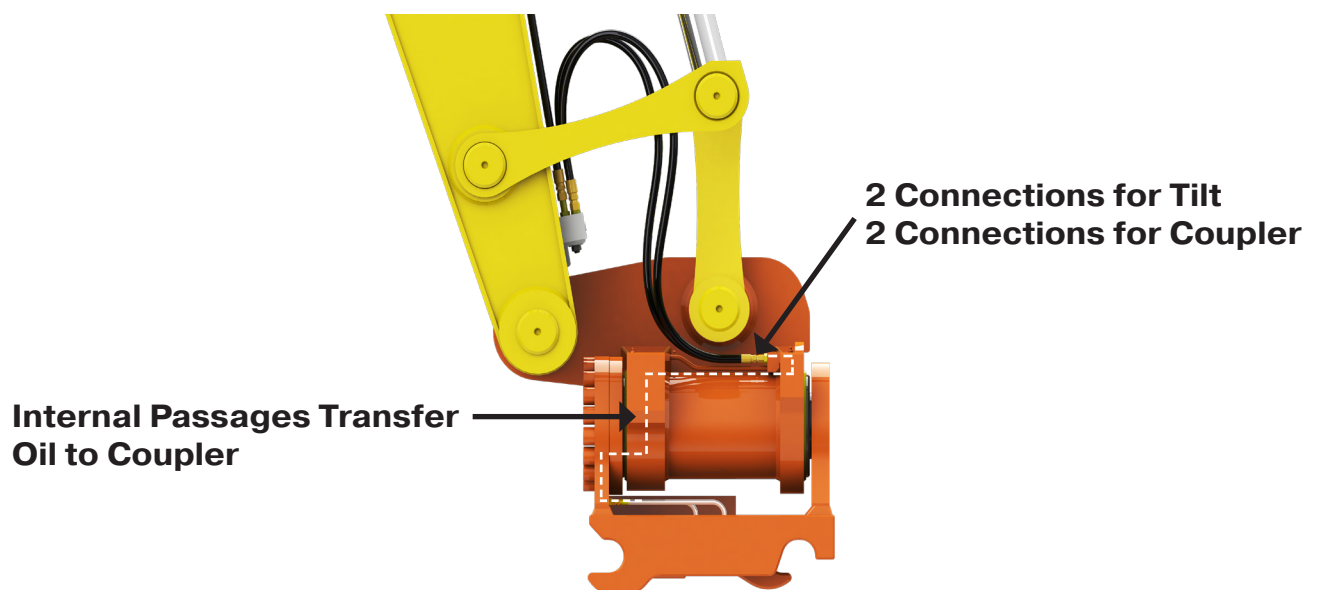
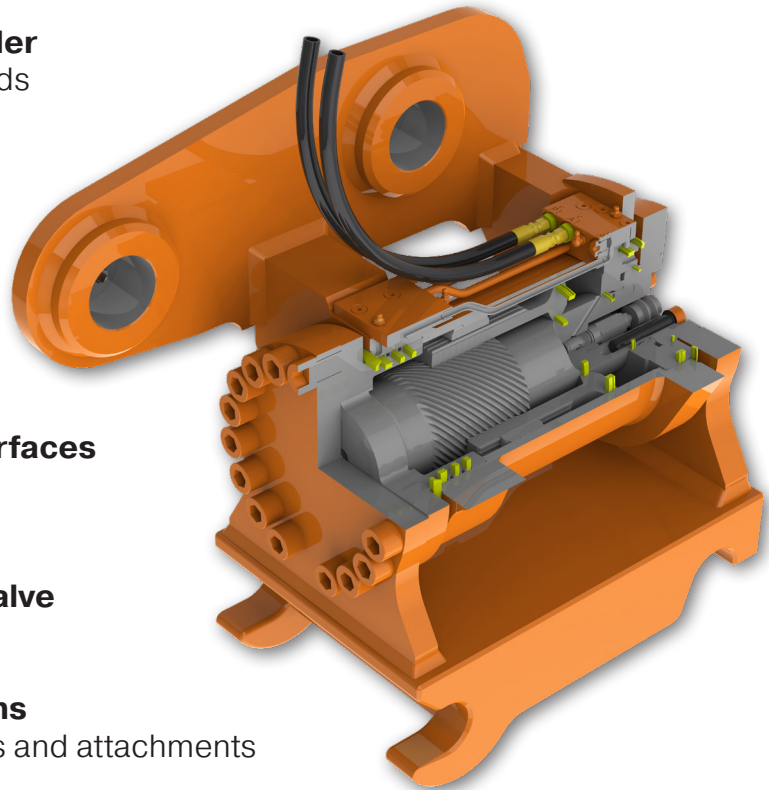
- Reduced cost of ownership
- Longer life

Integrated Cross-Port Relief Valve

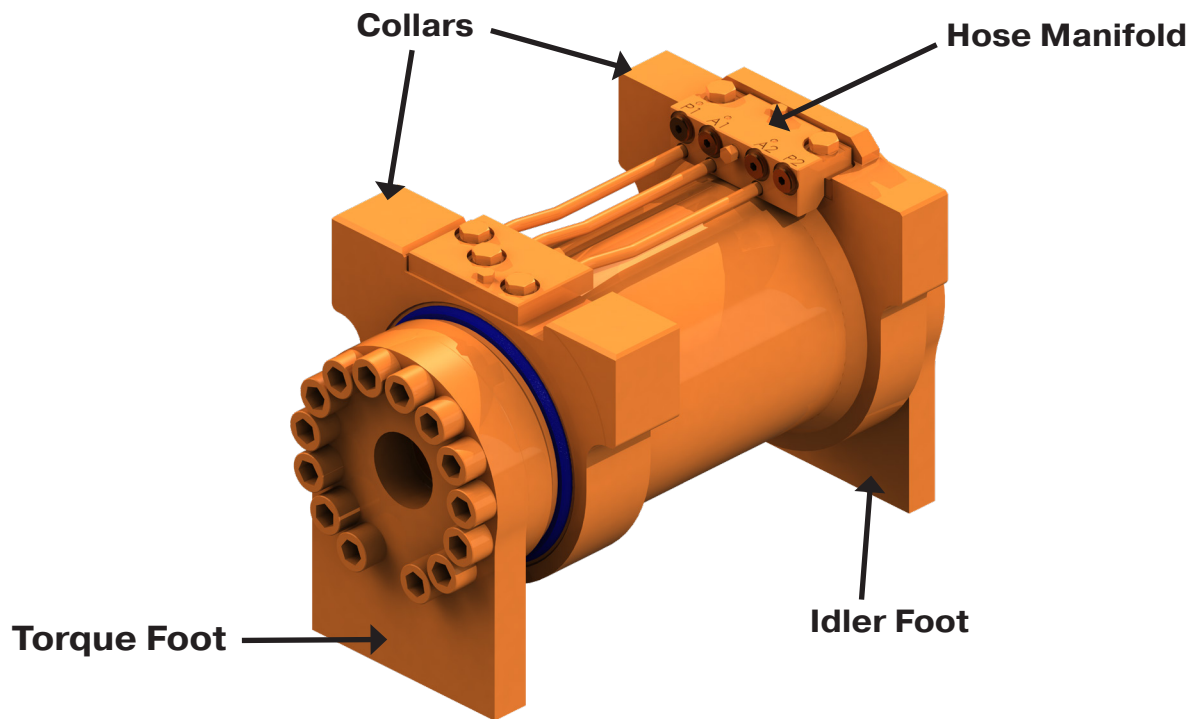
- Overload protection

Versatile Coupler Configurations

- Adaptable to a variety of buckets and attachments



PowerTilt Terminology



PTA

Model code means PowerTilt actuator configuration is without side plates as shown in the image above.

Collars

Part of the housing that can be welded to.

Hose Manifold

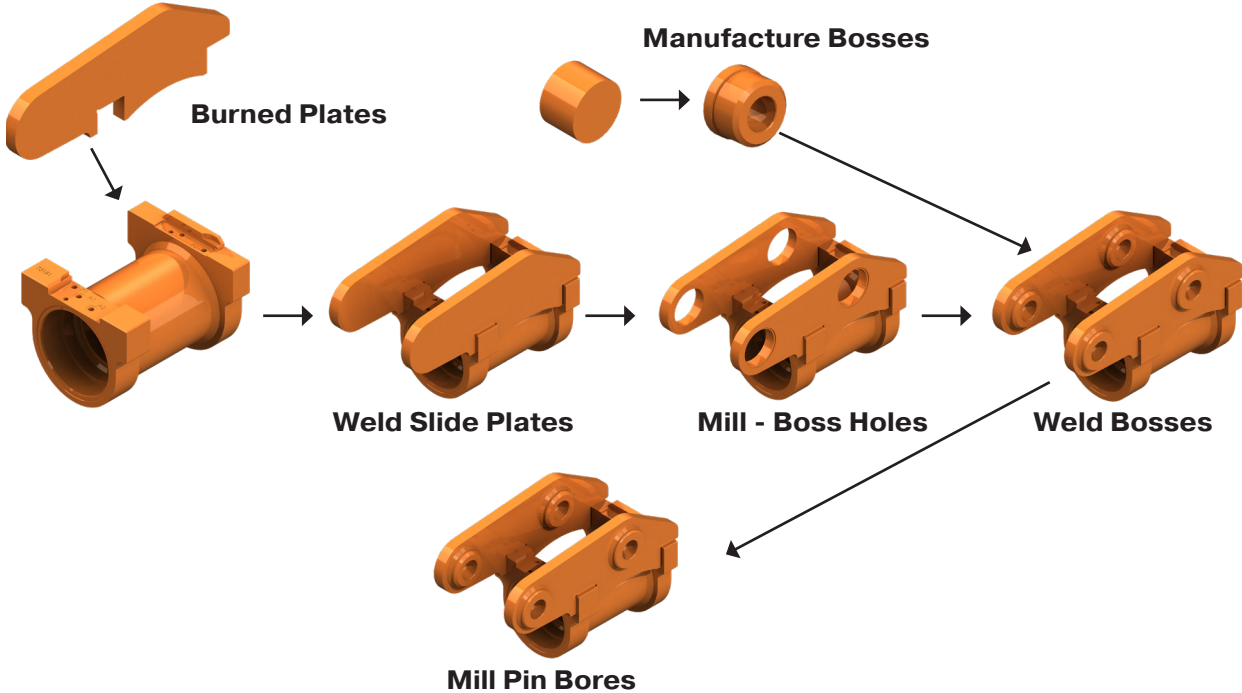
Optional accessory kit: Simplifies hose routing and installation.

Torque & Idler Foot

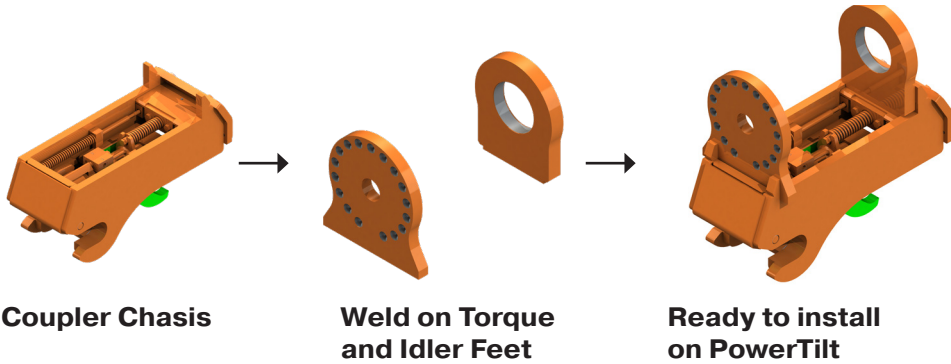
Optional accessory kit: A quick coupler, bucket or other attachment are welded to these.

PowerTilt Side Plate and Boss Manufacturing Process

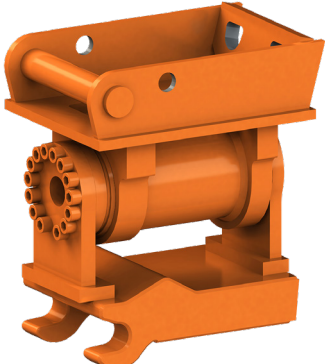
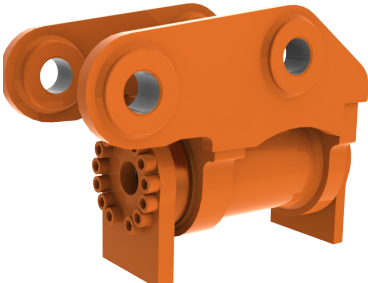
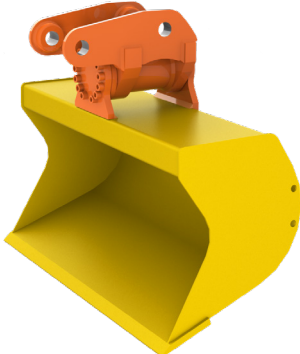
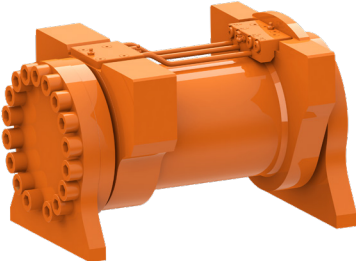
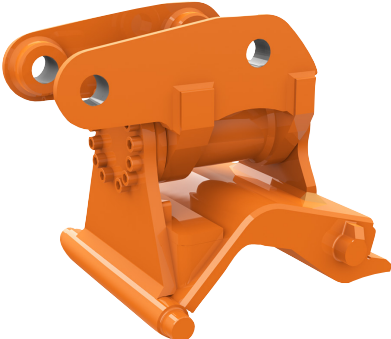
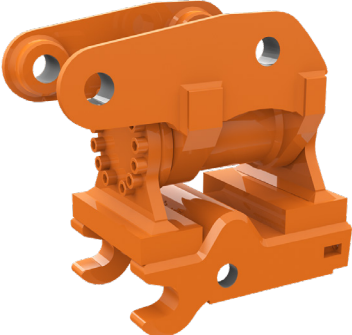
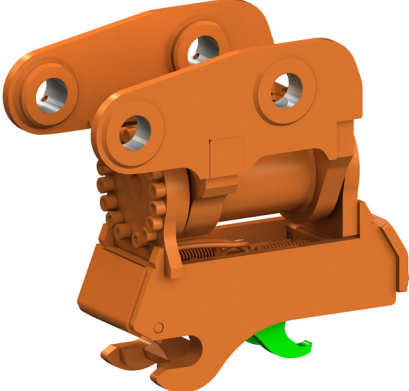
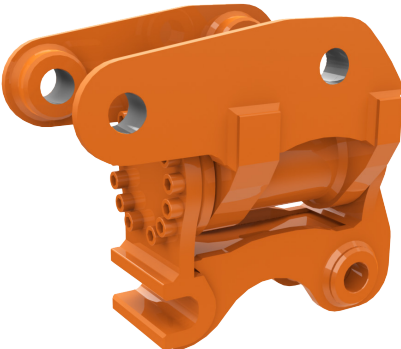
Example Method



Coupler Adaptation Process



Possible Configurations

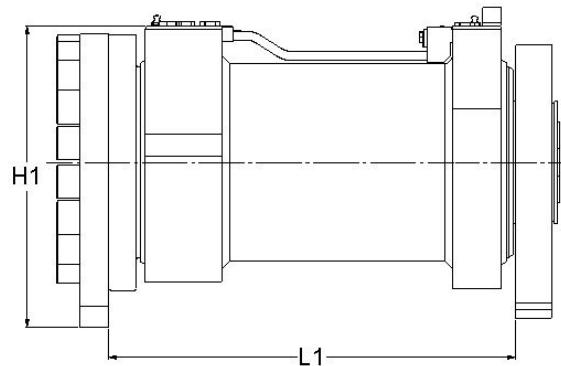
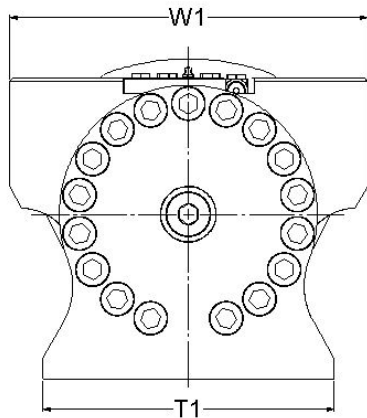


Specifications

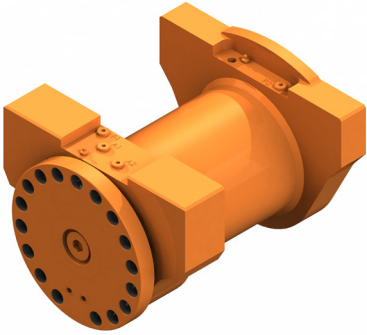
PowerTilt NG Series

Actual Machine Weight (tonnes)	PowerTilt Model	Height Dim H1 (mm)	Length Dim L1 (mm)	Width Dim W1 (mm)	Width Dim T1 (mm)	Weight (w/manifold / no feet) (lbs)	Weight (w/manifold / no feet) (Kgs)	Drive Torque 3,000 PSI (in-lbs)	Brake Torque 3,250 PSI (in-lbs)	Drive Torque 207 bar (Nm)	Brake Torque 225 bar (Nm)
1.5 - 1.8	4.5*	203	215	190	98	50	23	8,200	20,000	930	2,260
1.9 - 3.0	30	170	242	190	120	59	27	14,400	56,990	1,630	6,430
3.0 - 5.0	50	193	270	218	130	86	39	22,900	82,500	2,600	9,350
5.0 - 7.0	70	259	343	254	160	147	67	38,700	131,400	4,375	14,850
7.0 - 10.0	100	285	378	280	180	185	84	58,000	180,900	6,650	20,450
11.0 - 18.0	180	294	432	380	310	312	142	117,600	360,400	13,300	40,725
18.0 - 23.0	240	375	495	465	330	469	213	158,200	470,000	17,875	53,100
24.0 - 32.0	300	382	535	480	350	557	253	220,000	622,000	24,860	70,280
32.0 - 50.0	465	418	583	550	400	730	332	392,000 @ 4,500 PSI	989,400 @ 4,700 PSI	44,300 @ 310 bar	111,800 @ 324 bar

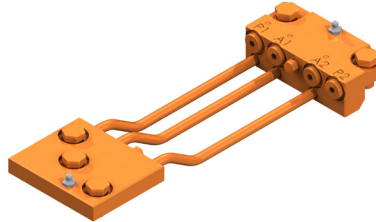
*PTA-4.5 is not a PowerTilt NG model



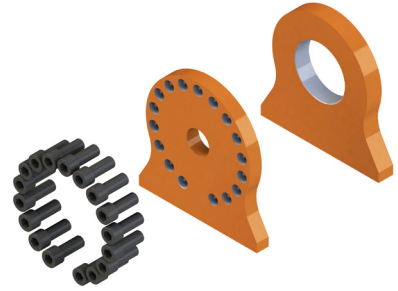
PTA Model PowerTilts are Sold as:



PTA Actuator



Manifold Kit*



Foot Kit*

*Manifold kit and foot kit are optional

Where to Buy

North America Sales



International Sales





Parker Hannifin Corporation
Helac/Cylinder Division
225 Battersby Ave
Enumclaw, WA 98022
phone 360 825 1601
fax 360 825 1603
www.parker.com/helac