

CMGZ 309 Digital Tension Controller

Plug & Play or utilize Ethernet connection

Easy to operate and provides flexible set-up

Configurable for brake and drive applications, for unwind and rewind stands

One controller can handle all functions

3 housing / mounting options

DIN Rail, Wall Mount (IP 65), and panel mount



● CMGZ 309 Series

The CMGZ 309 tension controller responds to a broad range of missions. Its field of application is in production lines where moving web products are manufactured, processed or finished.

As a plug & play unit a minimum of tuning tasks are required. Functions can be configured very easily via a user-friendly control panel with a wind rose key pad and a two lines LCD. All internal parameters are also accessible through a web browser. The CMGZ 309 is a versatile and economic tension controller that solves even your most demanding control tasks.

● Functional Description

Design and functionality of the CMGZ 309 series is optimised for precise close loop tension control. It offers selectable control of unwind brake or drive, intermediate drive, or rewinding drive.

Signal processing and controlling tasks are fully digitalised. This results in an excellent long term temperature stability and control performance. The CMGZ 309 operates on a 1 millisecond cycle time. Its fast reaction time, digital signal filtering, automatic offset calculation, built in taper tension option and automatic start-up ramping function along with a lot of other features creates a very powerful and user-friendly tension control system.

• Configuration “Unwind Brake”

Suitable for any electric or pneumatic brakes. As an option a diameter signal can be fed to the controller. The control parameters are continuously adapted to the changing diameter improving the control characteristics of the system considerably.

• Configuration “Unwind Drive”

For torque or speed controlled drives. As an option for torque controlled drives in the “Unwind Drive” configuration also a diameter signal can be fed to the controller improving the control characteristics.

• Configuration “Rewind Drive”

For torque or speed controlled drives a taper function is available. For torque controlled drives a diameter signal can be fed to the controller improving the control characteristics. For this configuration a Taper-Functions is available.

• Configuration “Intermediate Drive”

For torque or speed controlled drives. As an option for speed controlled drives a line speed signal can be fed to the controller. The output values are calculated by the controller and overlaid onto the line speed.

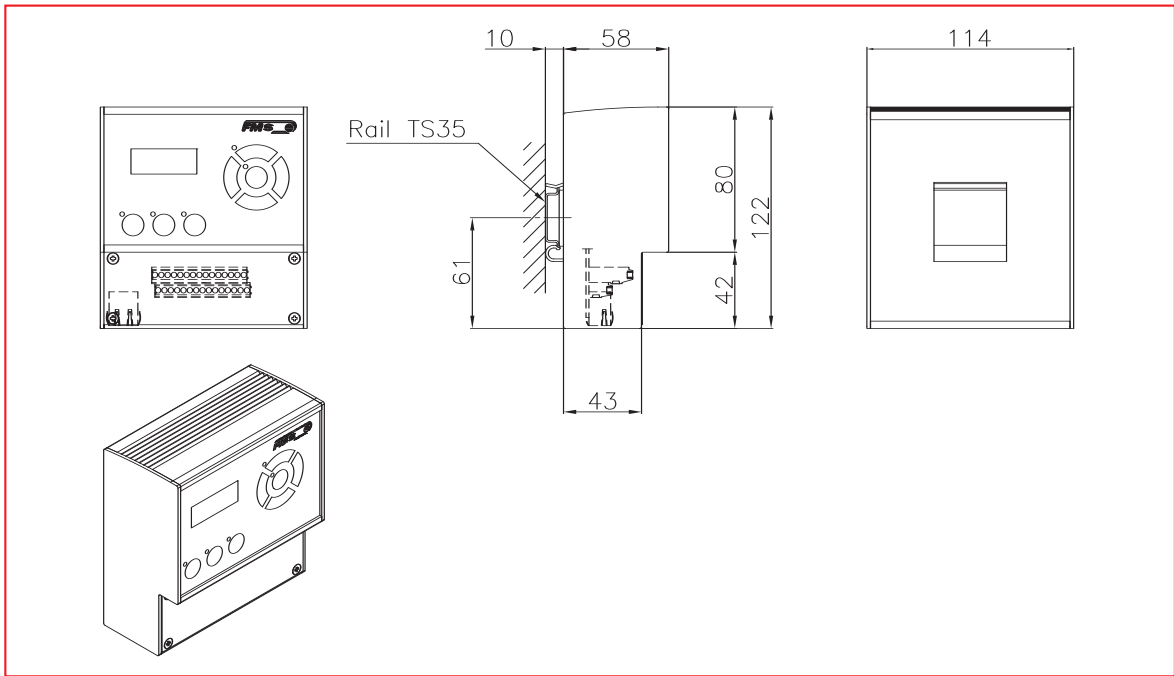
CMGZ 309 Series • Technical Data

Type	CMGZ 309.R	CMGZ 309.S	CMGZ 309.W
Number of channels	1 channel for 1 or 2 sensors with strain gauges @ 350 Ω		
Sensor supply	5.0 VDC, max. 60 mA; high stability		
Input signal range	0...9 mV (max. 12.5 mV)		
Resolution A/D-converter	± 8192 Digit (14 Bit)		
Measuring error	< 0.05 %		
Cycle time	1 ms		
Operation	3 buttons, 5 buttons wind rose, LCD-display 2 x 8 characters (size 8 mm)		
Interfaces	Ethernet via web browser (Ethernet explorer 7 or higher)		
Temperature range	-10...60 °C (14...140 °F)		
Power supply	24 VDC (18...36 VDC) / 10 W (max. 0.5 A) galvanically isolated supply		
Options	-		
Protection class	IP 40	-	IP 65
Weight	0.57 kg	0.40 kg	0.72 kg

CMGZ 309 Series • Input/ Output Configuration

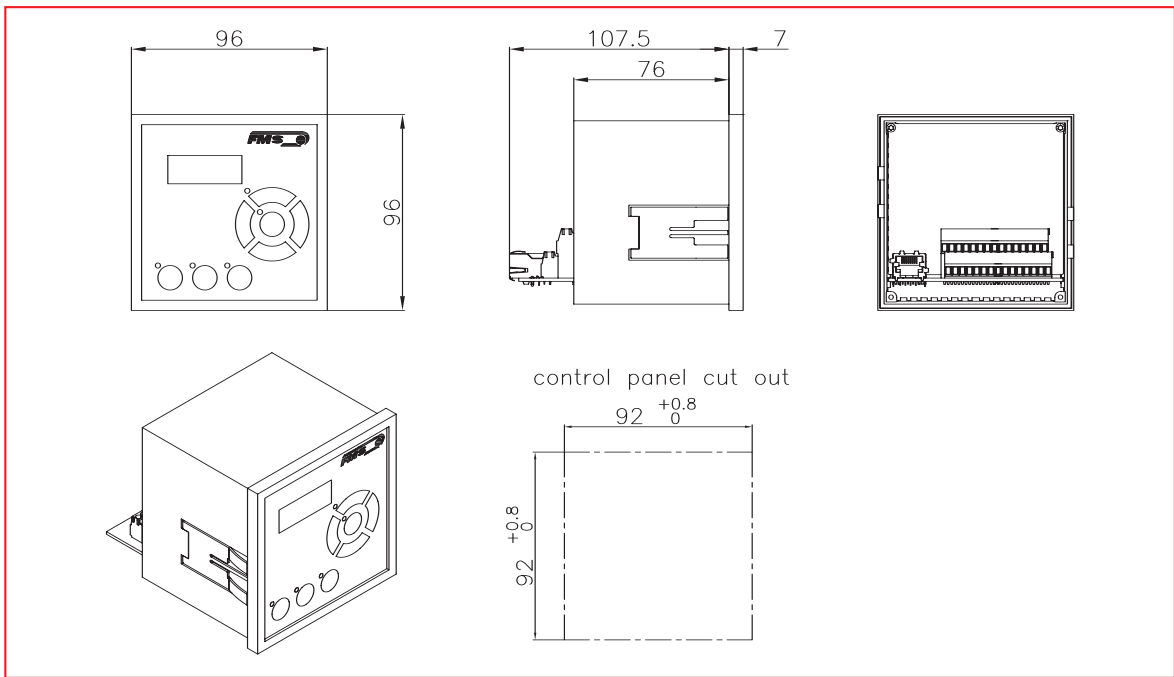
Analogue input 1	1 or 2 sensors with strain gauges @ 350 Ω (0...9 mV, max. 12.5 mV)
Analogue input 2	Reference potentiometer (0...10 VDC)
Analogue input 3	Diameter or line speed overlay (0...10 VDC)
Analogue output 1	Controller output signal (± 10 VDC, 0...10 VDC, 0/4...20 mA)
Analogue output 2	Feedback value output (0...10 VDC)
Digital Inputs	2 inputs @ 24 VDC, galvanically isolated
Relay outputs	2 outputs (DC: 220 V / 2 A / 60 W; AC: 250 V / 2 A / 62.5 VA)

CMGZ 309.R Rail Mount Housing • Dimensions in mm



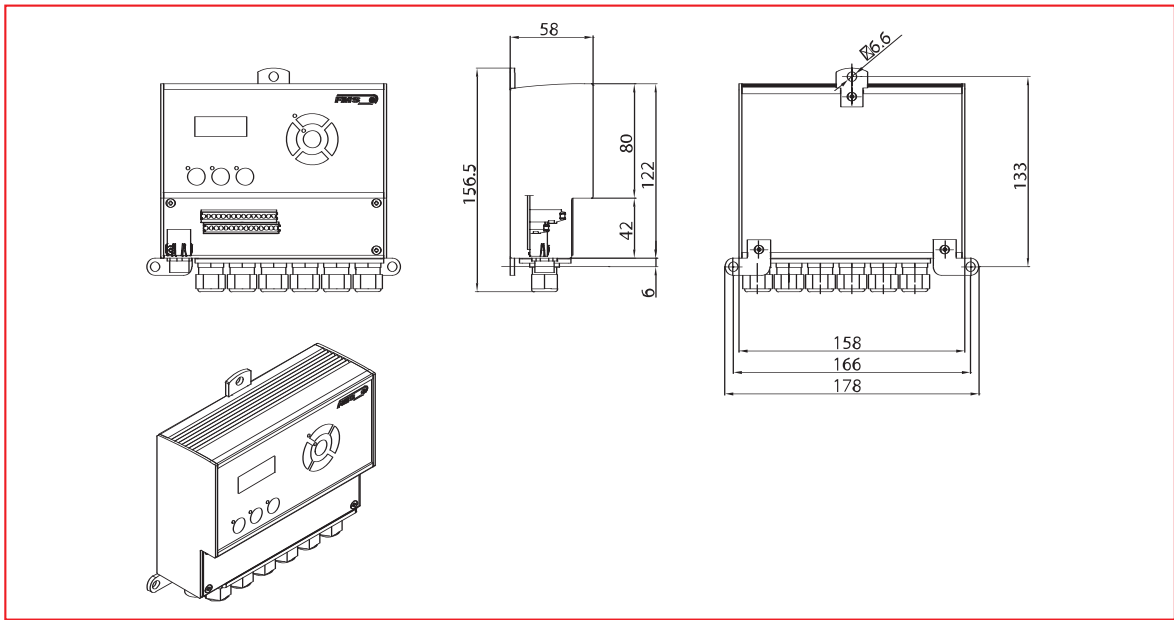
Wiring is realised via cable terminals.

CMGZ 309.S Panel Mount Housing • Dimensions in mm



Wiring is realised via cable terminals.

CMGZ309.W Wall Mount Housing • Dimensions in mm



With PG-Gland cable connector. Protection class IP 65.

World Headquarters:

FMS Force Measuring Systems AG
 Aspstrasse 6
 8154 Oberglatt (Switzerland)
 Phone + 41 44 852 80 80
 Fax + 41 44 850 60 06
 info@fms-technology.com

FMS USA, Inc.
 2155 Stonington Avenue
 Suite 119
 Hoffman Estates, IL 60169
 Phone + 1 847 519 4400
 Fax + 1 847 519 4401
 fmsusa@fms-technology.com

FMS UK
 Highfield, Atch Lench Road
 Church Lench
 Evesham WR 11 4UG
 Phone + 44 1386 871023
 Fax + 44 1386 871021
 fmsuk@fms-technology.com

FMS Italy
 Via Baranzate 67
 20026 Novate Milanese
 Phone + 39 02 39487035
 Fax + 39 02 39487035
 fmsit@fms-technology.com