

AKM 44611/48471

Direct mount thermometers



Accurate indication with rugged, low profile design

- Corrosion resistant materials ensure long life
- Quickly view the current and maximum temperature

Product Summary

Description Top mounting bi-metal thermometers with temperature indication and a resettable maximum temperature pointer. Most models can be screwed into a pocket (well) that allows units to be exchanged without draining the tank. Made of corrosion resistant materials for long life and high accuracy performance.

Application For temperature indication where the point of measurement (the well or pocket) is on the top of the apparatus and can be easily viewed.



QUALITROL[®]
Defining Reliability

AKM 44611/48471 direct mount thermometers

Accurate indication with rugged, low profile design

- Weatherproof to IEC 529 protective class IP54 standards and Nema 3S rating
- Provides accuracy within $\pm 2^{\circ}\text{C}$
- Dampened element provides smooth pointer movement

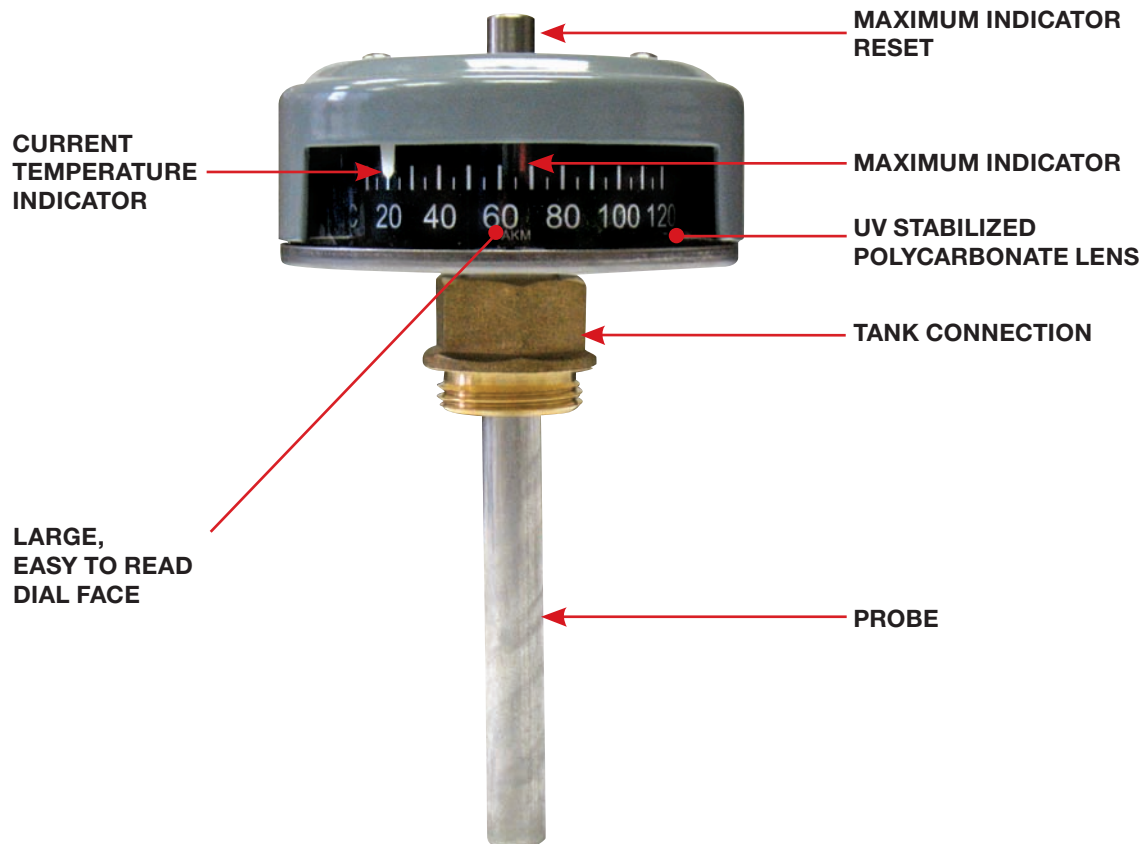
Corrosion resistant materials and design long life

- Stainless steel housing and flange withstand harsh environments
- Features a scratch resistant, UV stabilized polycarbonate lens

Quickly see the current and maximum temperature

- Can be read easily from a distance with large pointer
- The lens is made of clear, UV stabilized, molded polycarbonate for easy, scratch-resistant viewing throughout the life of the unit
- All models feature dustproof, vented design to prevent moisture from accumulating under the lens, keeping the dial face clear for optimal viewing
- Resettable maximum pointer indicates the highest temperature since last reset

44611 and 48471 features





TECHNICAL SPECIFICATIONS

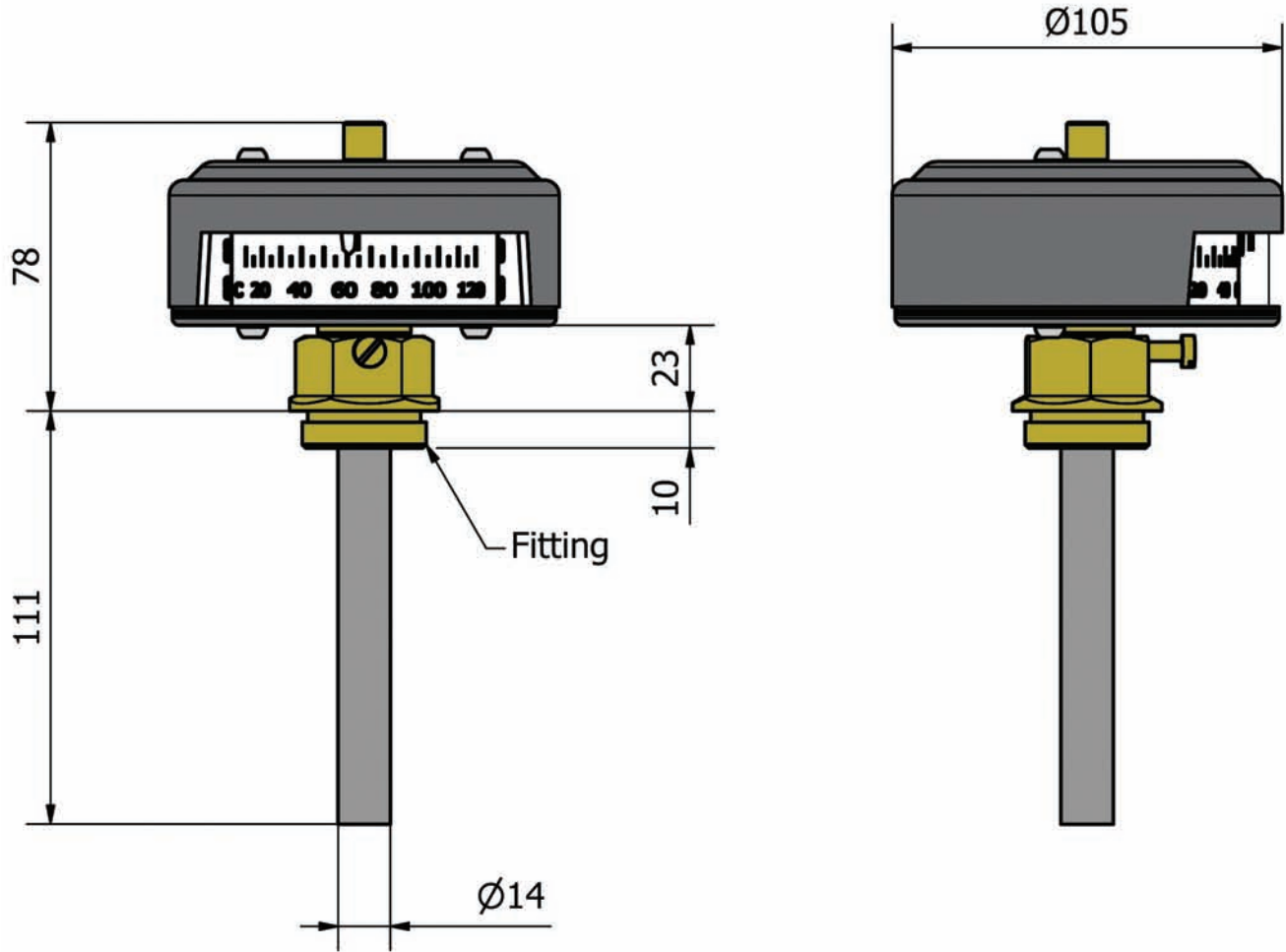
Mechanical	Mounting	Top mounting
	Standard dial ranges	10-120°C
	Tank connection	G 1/2", G 3/4", G 1.0", 22 mm O-ring seal
	Accuracy	2°C between 50-120°C
Dimensions	Probe diameter	0.56", 0.67" (14.2 mm, 17 mm)
	Probe length	3.94", 4.33" (100 mm, 110 mm)
Materials	Case	Stainless steel
	Dial	Stainless steel
	Lens	UV stabilized polycarbonate
	Gasket material	Nitrile O-ring
	Probe	Stainless steel (standard)
Environmental	Ambient operating temperature	-40 to 140 °F (-40 to +70 °C)
	Enclosure	IP54 according to IEC 529 (equivalent NEMA 3S rating)

Thermometer model	Scale range (°C)	Probe diameter (mm)	Probe length (mm)	Connection thread	Corresponding well (pocket)
44611-1	0-120	14	110	G 1/2"	-
44611-2	0-120	14	110	G 3/4"	44601
44611-3	0-120	14	110	G 1"	-
48471	0-120	17	100	Ø22 mm O-ring	48469



Don't see what you need?

QUALITROL regularly creates models with special customer requirements. Contact your local sales representative or QUALITROL Application Engineer to review your special requirements.



Weatherproof according to IP 54 DIN 40050/IEC 529

Graduations: 10-120 °C

Model number	Tank connection (G)
44611-1	G 1/2" (BSP 1/2")
44611-2	G 3/4" (BSP 3/4")
44611-3	G 1" (BSP 1")

QUALITROL® Field Services

To further improve reliability, QUALITROL provides comprehensive education and on-site commissioning services, maintenance contracts and technical support to all customers worldwide. Emergency response is available on all products and services.

About QUALITROL®

QUALITROL Company LLC manufactures substation and transformer monitoring and protection devices used by electric utilities and manufacturing companies. It is the global leader in sales and installations of transformer asset protection equipment, fault recorders and fault locators. Established in 1945, QUALITROL Company produces thousands of different types of products on demand, each customized to customers' unique requirements.

©2008 QUALITROL® Company LLC, an ISO 9001 system certified company. All rights reserved. Information subject to change without notice. All trademarks are properties of their respective companies, as noted herein. AP-T01-02L-01E.