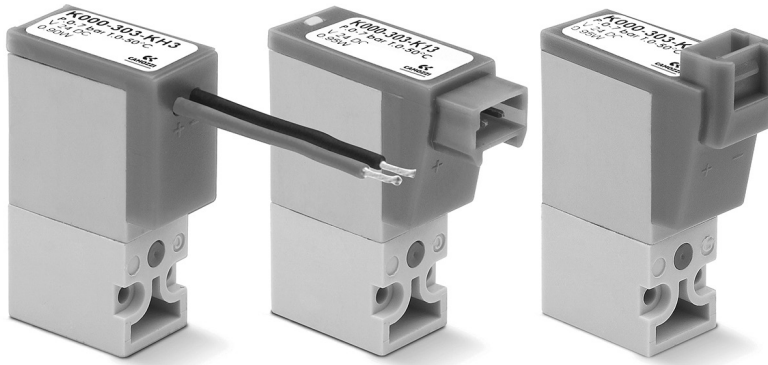


Series K direct acting solenoid valves

2/2-way - Normally Closed (NC)

3/2-way - Normally Closed (NC) and Normally Open (NO)

SERIES K SOLENOID VALVES



- » Low power consumption
- » Compact design
- » Version for use with oxygen available

The Series K direct acting solenoid valves can be mounted on single sub-bases or manifolds.

Thanks to the same mounting pad 2/2-way and 3/2-way versions can be installed on the same manifold.

The manual override is available only for the 3/2-way versions.

GENERAL DATA

TECHNICAL FEATURES

Function	2/2 NC - 3/2 NC - 3/2 NO
Operation	direct acting poppet type
Pneumatic connections	on subbase
Orifice diameter	0.6 ... 1 mm
Flow coefficient kv (l/min)	0.12 ... 0.30
Operating pressure	0 ÷ 3 ... 7 bar
Operating temperature	0 ÷ 50 °C
Media	filtered compressed air, unlubricated, according to ISO 8573-1:2010 class [3:4:3], inert gas
Response time	ON <10 ms - OFF <10 ms
Manual override	monostable - only for 3/2 versions
Installation	in any position

MATERIALS IN CONTACT WITH THE MEDIUM

Body	PBT
Seals	NBR - FKM
Internal parts	stainless steel

ELECTRICAL FEATURES

Voltage	6 ... 24 VDC - other voltages on demand
Voltage tolerance	±10%
Power consumption	1 W
Duty cycle	ED 100%
Electrical connection	connector mod. 121-8... - 300 mm flying leads
Protection class	IP50

Special versions available on demand

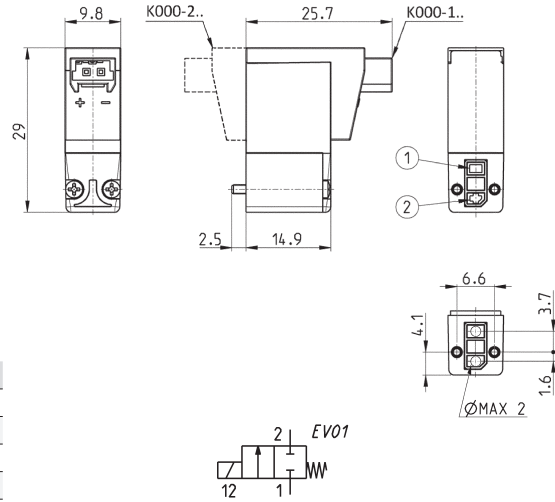
CODING EXAMPLE

K	0	00	-	3	0	3	-	K	2	3	
K	SERIES										
0	BODY DESIGN 0 = single sub-base (only M5) or interface 1 = manifold										
00	NUMBER OF POSITIONS 00 = interface 01 = single base (only M5) 02 = 99 = manifold number of positions										
3	NUMBER OF WAYS - FUNCTIONS 0 = manifold or single base 1 = 2/2-way - NC 1 = 2/2-way - NC electric part revolved by 180° 3 = 3/2-way - NC 3 = 3/2-way - NC 5 = 3/2-way - NC electric part revolved by 180° 4 = 3/2-way - NO 6 = 3/2-way - NO electric part revolved by 180°										
0	PORTS: 0 = on subbase or manifold 2 = M5 side outlets										
3	ORIFICE DIAMETER 2 = Ø 0.6 mm 3 = Ø 0.8 mm 5 = Ø 1.0 mm										
K	MATERIALS F = PBT body - FKM poppet seal K = PBT body - HNBR poppet seal (only for 3/2-way versions)										
2	ELECTRICAL CONNECTION 1 = 90° connection with protection and led 2 = 90° connection with protection 3 = 90° connection B = in-line connection with protection and led C = in-line connection with protection D = in-line connection F = 300 mm flying leads with protection and led G = 300 mm flying leads with protection H = 300 mm flying leads										
3	VOLTAGE - POWER CONSUMPTION 1 = 6V DC - 1W 2 = 12V DC - 1W 3 = 24V DC - 1W										
	FIXING = fixing screws for plastic M = fixing screws for metal										
	OPTIONS = standard OX1 = for use with oxygen (non volatile residual less than 550 mg/m ²) OX2 = for use with oxygen (non volatile residual less than 33 mg/m ²)										

Series K solenoid valve - 2/2-way NC - 90° connector



Supplied with:
1x interface seal
2x Ø1.6x16 screws for mounting on plastic
or
2x M1.6x16 screws for mounting on metal



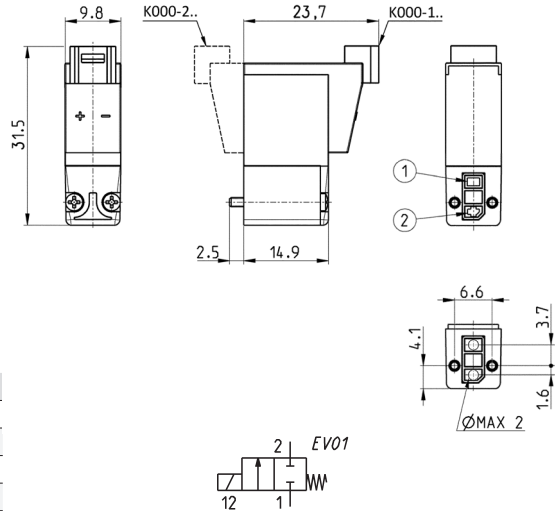
Mod.	Function	Orifice Ø (mm)	kv (l/min)	Min+max pressure (bar)
K000-102-F1*	2/2 NC	0.6	0.15	0 ÷ 6
K000-102-F2*	2/2 NC	0.6	0.15	0 ÷ 6
K000-102-F3*	2/2 NC	0.6	0.15	0 ÷ 6
K000-105-F1*	2/2 NC	1	0.30	0 ÷ 3
K000-105-F2*	2/2 NC	1	0.30	0 ÷ 3
K000-105-F3*	2/2 NC	1	0.30	0 ÷ 3

* add
- VOLTAGE
(see CODING EXAMPLE)

Series K solenoid valve - 2/2-way NC - in-line connector



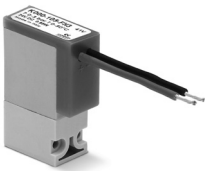
Supplied with:
1x interface seal
2x Ø1.6x16 screws for mounting on plastic
or
2x M1.6x16 screws for mounting on metal)



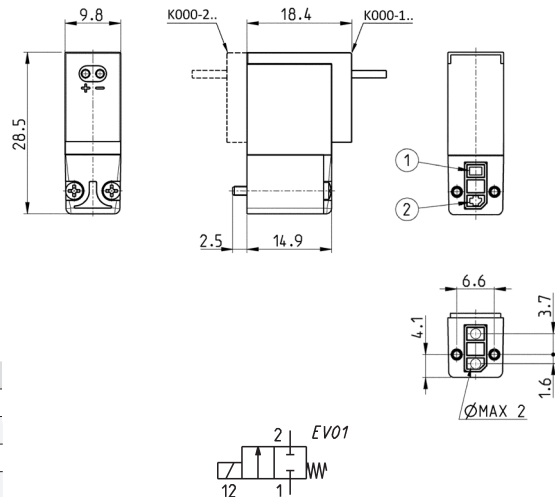
Mod.	Function	Orifice Ø (mm)	kv (l/min)	Min+max pressure (bar)
K000-102-FB*	2/2 NC	0.6	0.15	0 ÷ 6
K000-102-FC*	2/2 NC	0.6	0.15	0 ÷ 6
K000-102-FD*	2/2 NC	0.6	0.15	0 ÷ 6
K000-105-FB*	2/2 NC	1	0.30	0 ÷ 3
K000-105-FC*	2/2 NC	1	0.30	0 ÷ 3
K000-105-FD*	2/2 NC	1	0.30	0 ÷ 3

* add
- VOLTAGE
(see CODING EXAMPLE)

Series K solenoid valve - 2/2-way NC - 300 mm flying leads



Supplied with:
1x interface seal
2x Ø1.6x16 screws for mounting on plastic
or
2x M1.6x16 screws for mounting on metal



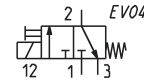
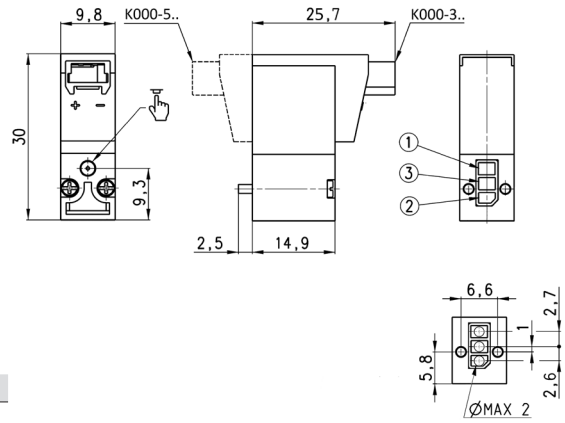
Mod.	Function	Orifice Ø (mm)	kv (l/min)	Min+max pressure (bar)
K000-102-FF*	2/2 NC	0.6	0.15	0 ÷ 6
K000-102-FG*	2/2 NC	0.6	0.15	0 ÷ 6
K000-102-FH*	2/2 NC	0.6	0.15	0 ÷ 6
K000-105-FF*	2/2 NC	1	0.30	0 ÷ 3
K000-105-FG*	2/2 NC	1	0.30	0 ÷ 3
K000-105-FH*	2/2 NC	1	0.30	0 ÷ 3

* add
- VOLTAGE
(see CODING EXAMPLE)

Seris K solenoid valve - 3/2-way NC - 90° connector



Supplied with:
 1x interface seal
 2x Ø1.6x16 screws for mounting on plastic
 or
 2x M1.6x16 screws for mounting on metal



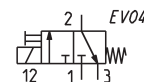
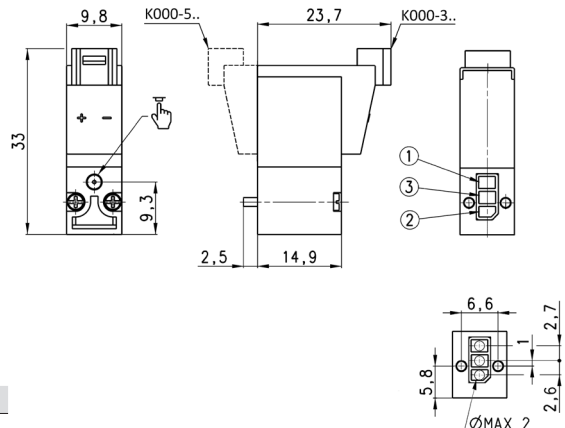
* add
 - VOLTAGE
 (see CODING EXAMPLE)

Mod.	Function	Orifice Ø (mm)	kv (l/min)	Min-max pressure (bar)
K000-303-K1*	3/2 NC	0.6	0.12	0 ÷ 7
K000-303-F1*	3/2 NC	0.6	0.12	0 ÷ 7
K000-303-K2*	3/2 NC	0.6	0.12	0 ÷ 7
K000-303-F2*	3/2 NC	0.6	0.12	0 ÷ 7
K000-303-K3*	3/2 NC	0.6	0.12	0 ÷ 7
K000-303-F3*	3/2 NC	0.6	0.12	0 ÷ 7

Series K solenoid valve - 3/2-way NC - in-line connector



Supplied with:
 1x interface seal
 2x Ø1.6x16 screws for mounting on plastic
 or
 2x M1.6x16 screws for mounting on metal



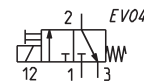
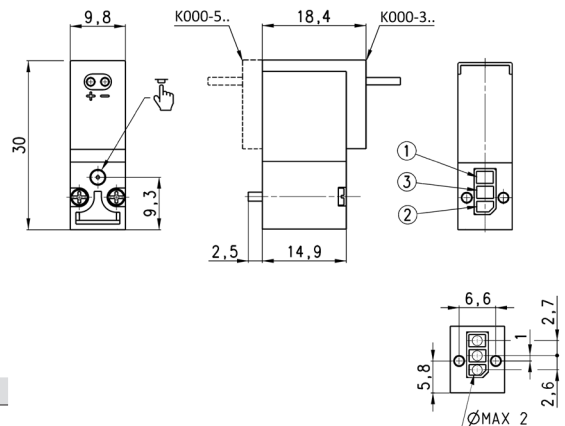
* add
 - VOLTAGE
 (see CODING EXAMPLE)

Mod.	Function	Orifice Ø (mm)	kv (l/min)	Min-max pressure (bar)
K000-303-KB*	3/2 NC	0.6	0.12	0 ÷ 7
K000-303-FB*	3/2 NC	0.6	0.12	0 ÷ 7
K000-303-KC*	3/2 NC	0.6	0.12	0 ÷ 7
K000-303-FC*	3/2 NC	0.6	0.12	0 ÷ 7
K000-303-KD*	3/2 NC	0.6	0.12	0 ÷ 7
K000-303-FD*	3/2 NC	0.6	0.12	0 ÷ 7

Series K solenoid valve - 3/2-way NC - 300 mm flying leads



Supplied with:
 1x interface seal
 2x Ø1.6x16 screws for mounting on plastic
 or
 2x M1.6x16 screws for mounting on metal



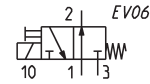
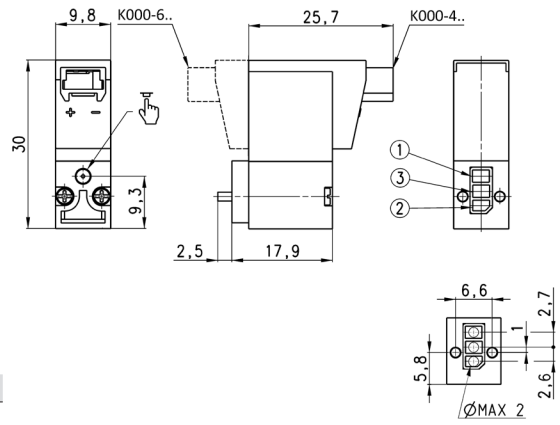
* add
 - VOLTAGE
 (see CODING EXAMPLE)

Mod.	Function	Orifice Ø (mm)	kv (l/min)	Min-max pressure (bar)
K000-303-KF*	3/2 NC	0.6	0.12	0 ÷ 7
K000-303-FF*	3/2 NC	0.6	0.12	0 ÷ 7
K000-303-KG*	3/2 NC	0.6	0.12	0 ÷ 7
K000-303-FG*	3/2 NC	0.6	0.12	0 ÷ 7
K000-303-KH*	3/2 NC	0.6	0.12	0 ÷ 7
K000-303-FH*	3/2 NC	0.6	0.12	0 ÷ 7

Series K solenoid valve - 3/2-way NO - 90° connector



Supplied with:
 1x interface for NO with position ports as per NC
 2x interface seals
 2x Ø1.6x19 screws for mounting on plastic
 or
 2x M1.6x19 screws for mounting on metal
 For use without port 1 and 3 inversion interface, use 16 mm long screws (see accessories)



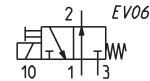
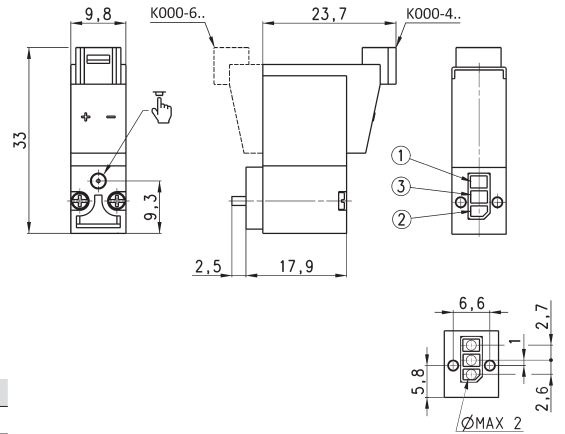
* add
 - VOLTAGE
 (see CODING EXAMPLE)

Mod.	Function	Orifice Ø (mm)	kv (l/min)	Min+max pressure (bar)
K000-403-K1*	3/2 NO	0.8	0.20	0 ÷ 5
K000-403-F1*	3/2 NO	0.8	0.20	0 ÷ 5
K000-403-K2*	3/2 NO	0.8	0.20	0 ÷ 5
K000-403-F2*	3/2 NO	0.8	0.20	0 ÷ 5
K000-403-K3*	3/2 NO	0.8	0.20	0 ÷ 5
K000-403-F3*	3/2 NO	0.8	0.20	0 ÷ 5

Series K solenoid valve - 3/2-way NO - in-line connector



Supplied with:
 1x interface for NO with position ports as per NC
 2x interface seals
 2x Ø1.6x19 screws for mounting on plastic
 or
 2x M1.6x19 screws for mounting on metal
 For use without port 1 and 3 inversion interface, use 16 mm long screws (see accessories)



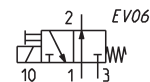
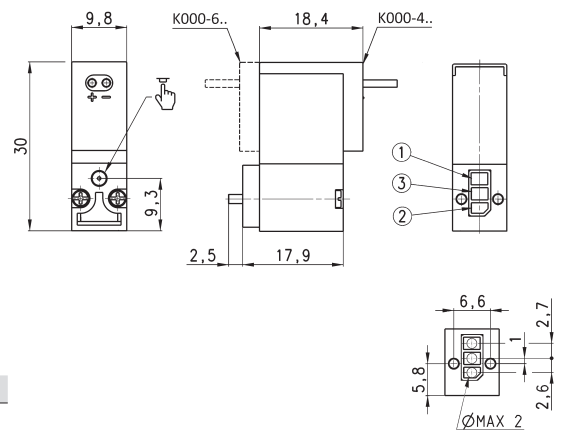
* add
 - VOLTAGE
 (see CODING EXAMPLE)

Mod.	Function	Orifice Ø (mm)	kv (l/min)	Min+max pressure (bar)
K000-403-KB*	3/2 NO	0.8	0.20	0 ÷ 5
K000-403-FB*	3/2 NO	0.8	0.20	0 ÷ 5
K000-403-KC*	3/2 NO	0.8	0.20	0 ÷ 5
K000-403-FC*	3/2 NO	0.8	0.20	0 ÷ 5
K000-403-KD*	3/2 NO	0.8	0.20	0 ÷ 5
K000-403-FD*	3/2 NO	0.8	0.20	0 ÷ 5

Series K solenoid valve - 3/2-way NO - 300 mm flying leads



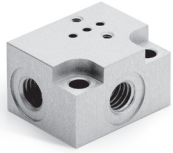
Supplied with:
 1x interface for NO with position ports as per NC
 2x interface seals
 2x Ø1.6x19 screws for mounting on plastic
 or
 2x M1.6x19 screws for mounting on metal
 For use without port 1 and 3 inversion interface, use 16 mm long screws (see accessories)



* add
 - VOLTAGE
 (see CODING EXAMPLE)

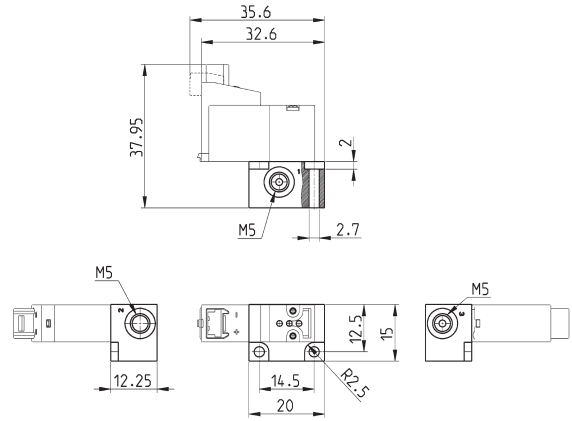
Mod.	Function	Orifice Ø (mm)	kv (l/min)	Min+max pressure (bar)
K000-403-KF*	3/2 NO	0.8	0.20	0 ÷ 5
K000-403-FF*	3/2 NO	0.8	0.20	0 ÷ 5
K000-403-KG*	3/2 NO	0.8	0.20	0 ÷ 5
K000-403-FG*	3/2 NO	0.8	0.20	0 ÷ 5
K000-403-KH*	3/2 NO	0.8	0.20	0 ÷ 5
K000-403-FH*	3/2 NO	0.8	0.20	0 ÷ 5

Single sub-base for solenoid valve size 10 mm



Single sub-base suitable for Series K 2-way or 3-way solenoid valve
Use solenoid valves with screws for mounting on metal (see coding)

Material: anodized aluminium
Connections: M5 threads



Mod.	
K001-02	

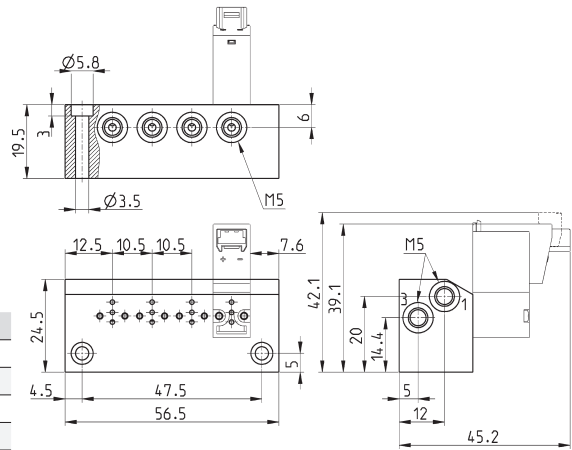
Manifold Mod. K1**-02



** Number of positions
With side outlets and conveyed inlet and exhaust.

Use solenoid valves with screws for mounting on metal (see coding)

Material: anodized aluminium
Connections: M5 threads

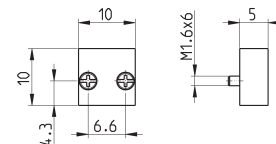


Mod.	A	B	Number of ports
K102-02	35.5	26.5	2
K103-02	46	37	3
K104-02	56.5	47.5	4
K105-02	67	58	5
K106-02	77.5	68.5	6
K107-02	88	79	7
K108-02	98.5	89.5	8
K109-02	109	100	9
K110-02	119.5	110.5	10

Position valve cap



Supplied with:
1x position valve cap
3x O-Rings
2x M1.6x6 screws for mounting on metal

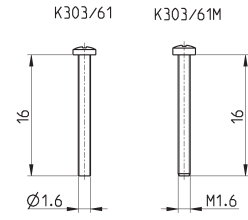


Mod.	
K000-TP	

Mounting screws for Series K solenoid valves

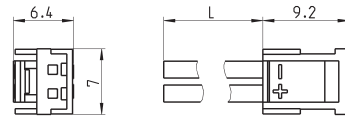


16 mm long screws for use with Series K 3/2-way NO solenoid valves without port 1 and 3 inversion interface



Mod.	description
K303/61	Ø1.6x16 mm screw for mounting on plastic
K303/61M	M1.6x16 mm screw for mounting on metal

Connector with flying leads Mod. 121-8..



Mod.	description	colour	L = cable length (mm)	cable holding
121-803	crimped cable	black	300	crimping
121-806	crimped cable	black	600	crimping
121-810	crimped cable	black	1000	crimping
121-830	crimped cable	black	3000	crimping