

# HAUG Ionization - for the elimination of electrostatic charges



## HAUG ionization systems

are intended for the neutralization of electrostatic charges. Such charges may be generated on a number of different materials. They interfere with production processes and bond dust particles and other substances, reducing quality. HAUG has researched, developed and produced systems for controlling this phenomenon for 45 years.

## Air ionization blower Ion-Air mini

The HAUG air ionization blower **Ion-Air mini** is a small, light-weight unit which is operated optionally at machine supply voltage (24 V<sub>DC</sub>) or at mains power.

The **Ion-Air mini** is supplied with a clamp which allows the unit to be fixed very easily in the desired position, for example at a table edge. When the clamp is removed, the **Ion-Air mini** can be used as a handy table-top unit.

## Principle

A high-voltage source integrated into the unit with fine metal pins produces positive and negative ions. A blower generates an air stream enriched with these ions which is used to neutralize electrostatic charges.



**Ion-Air mini**

## Characteristics and advantages

- Easy to clean
- Small dimensions and low weight
- Flexible use: as table-top or clip-on unit
- 24V<sub>DC</sub> operating voltage
- Integrated microcomputer for fault analysis
- Steplessly adjustable fan
- Low noise
- Display for cleaning intervals
- Fault signalling output

## Applications

The **Ion-Air mini** can be used in the following areas, a.o.:

- photo and film processing
- electronic production
- precision engineering
- optical engineering
- plastics processing
- module assembly
- pad printing
- feeding and sorting technology

## Accessories

included in supply:

- Plug-in power supply unit with 1.8 m cable length
- Mains cable to external voltage supply (24 V<sub>DC</sub>, machine supply voltage), length 1.5 m
- 2 fault signalling cables, length 1.5 m each
- Clamp
- Screw driver for setting the fan speed

## HAUG GmbH & Co. KG

**Germany**

Friedrich-List-Str. 18  
D-70771 Leinf.-Echterdingen  
Phone: +49 711 / 94 98-0  
Telefax: +49 711 / 94 98-298

[www.haug.de](http://www.haug.de)  
E-mail: [info@haug.de](mailto:info@haug.de)

## HAUG Biel AG

**Switzerland**

Johann-Renfer-Str. 60  
CH-2500 Biel-Bienne 6  
Phone: +41 32 / 344 96 96  
Telefax: +41 32 / 344 96 97

[www.haug-ionisation.com](http://www.haug-ionisation.com)  
E-mail: [info@haug-biel.ch](mailto:info@haug-biel.ch)





## Ion-Air mini

### Technical data Ion-Air mini

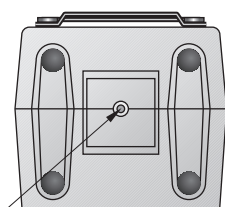
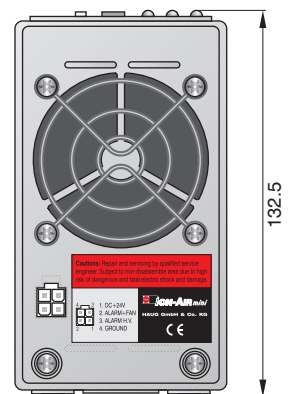
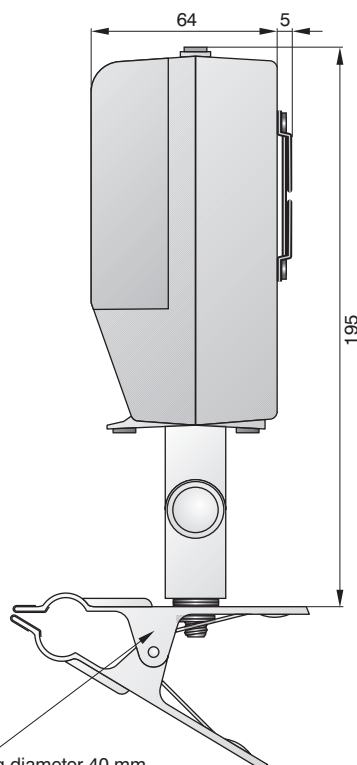
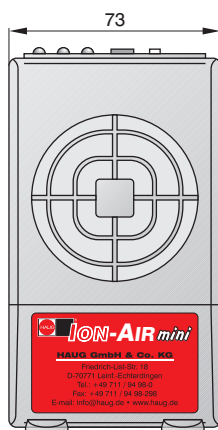
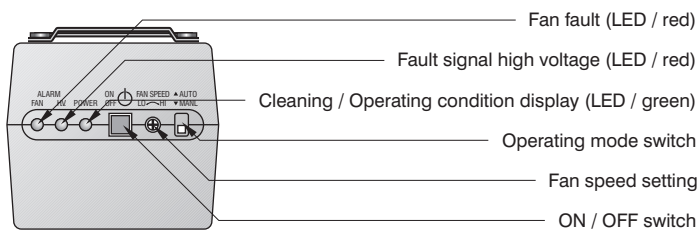
Type: **Ion-Air mini** Order-No.: 04.0353.000  
with integrated discharging pins and micro-computer for fault analysis

Dimension (H x W x T):	132.5 x 73 x 69 mm
Supply voltage:	24 V <sub>DC</sub> ±5%
Power input:	350 mA (at highest fan speed)
Air consumption:	0.5 – 1.0 m <sup>3</sup> /min
Operating temperature:	±0 °C to +40 °C
Storage/transport temperature:	-15 °C to +60 °C
Ambient humidity:	20% to 65% room humidity
Weight:	approx. 300 g (without clamp) approx. 500 g (with clamp)

Subject to technical changes!

### Technical data plug-in power supply unit

Type:	<b>Supply unit</b>	Order-No.: 06.0353.000
Supply voltage:	100 V <sub>AC</sub> – 240 V <sub>AC</sub> (50 – 60 Hz / 0.4 A)	
Output voltage:	24 V <sub>DC</sub> / 0.65 A	
Mains cable length:	1.8 m	
Connecting cable length:	1.5 m	
Weight:	approx. 130 g	



Clamp  
max. clamping diameter 40 mm

