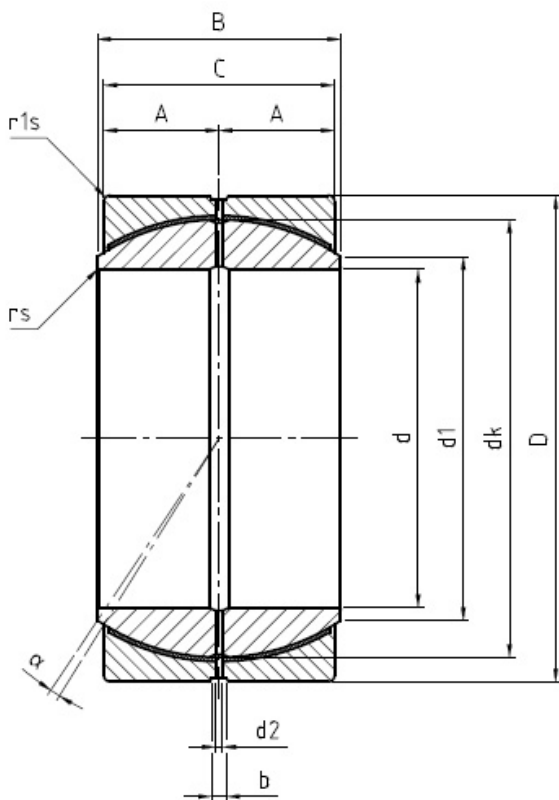


DGEP 100 FS

Dimensional drawing



d (mm)	100
D (mm)	150
B (mm)	71
C (mm)	67
d1 (mm)	109.5
dk (mm)	135
rs (mm)	1
r1s (mm)	1
tilt angle alpha (°)	2
basic load rating dyn C (kN)	669.6
basic load rating stat Co (kN)	920.7
radial clearance CN (µm)	85 - 165
weight (kg)	4.5



Product description

DURBAL XXL-Large-radial-spherical-plain bearing, sliding combination steel / PTFE, according to DIN ISO 12240-1

- **Outer ring:** heat-treated steel, hardened, radially split, bonded with PTFE - sheet
- **Joint ball:** ball bearing steel, hardened, ground, polished and hard chromium plated

- **Maintenance:** maintenance free
- **Temperature range:** -40° C to +200° C

All items on request

Special characteristics:

- For use at high loads with a constant direction if smooth operation is required; limited suitability for alternating- and shock loads.

For shaft diameters from 100 mm to 630 mm. All items on request.