

## Smart Radar Level Transmitter

# ALT6200

### Overview

The ALT6200 is a reliable 2-wire radar level transmitter for liquids and slurries, designed for outstanding performance in a wide range of applications and process conditions. It measures level directly and is unaffected by most fluid property changes, including temperature, pressure, vapor gas mixture, density, turbulence, bubbling/boiling, dielectric, pH, viscosity, crystallization, etc.

### Features

- Non-contacting, making it virtually unaffected by process conditions
- No moving parts, means little or no Maintenance  
Less affected by coating with Condensation Resistant Antenna
- Reduced echoes from obstacles / tank walls with Circular Polarization
- Continuous measurement of level or distance-to-surface.



### Specification

Measuring range	0.5 ~ 30 meter
Frequency	~ 6.3 GHz
Power	18 ~ 45VDC
Accuracy	+/- 10mm
Output	4 ~ 20mA
Ambient Temperature	-20 to + 80 °C
Process Temperature	-40 to + 150 °C
Response Time	< 1second
Warm-up Time	< 5 seconds
Beam Angle	23 °

## ALT6200 Ordering Information

Model	Description	
ALT6200	Radar Level Transmitter (6.3GHz)	
Code	Measurement	
-L	Level	
-D	Distance	
Code	Antenna Type	
3H	Horn Antenna / 3" / 80 mm / SST*	
4H	Horn Antenna / 4" / 100 mm / SST*	
6H	Horn Antenna / 6" / 150 mm / SST	
8H	Horn Antenna / 8" / 200 mm / SST	
1R	Rod Antenna / Short type / 450mm / PTFE	
2R	Rod Antenna / Long type / 550 mm / PTFE*	
S	Special*	
Code	Process Connection	
A31	3" ANSI, #150*	Flange
A41	4" ANSI, #150*	
A61	6" ANSI, #150	
A81	8" ANSI, #150	
J08	JIS 80A, 10K*	
J10	JIS 100A, 10K*	
J15	JIS 150A, 10K	
J20	JIS 200A, 10K	
C2	2"	Tri Clamp (for ROD Antennas)
C3	3"	
C4	4"	
T1	1-1/2" NPT	Threaded connection (for ROD Antennas)
T2	3" NPT	
T3	4" NPT	
S	Special*	
Code	Process Temperature / Pressure	
S	Standard	
HP	High Temperature & High Pressure*	
Code	Material of Construction : Process Connection / Antenna	

<b>S</b>	<b>304 SST</b>
<b>T</b>	<b>316 SST</b>
<b>P</b>	<b>CPVC</b>
<b>F</b>	<b>Polypropylene (for ROD Antennas)</b>
<b>S</b>	<b>Special*</b>
<b>Code</b>	<b>O-ring Material</b>
<b>V</b>	<b>Viton</b>
<b>B</b>	<b>Buna-N</b>
<b>Code</b>	<b>Electrical Connection</b>
<b>1</b>	<b>1/2-14NPT</b>
<b>2</b>	<b>G1/2-14</b>
<b>X</b>	<b>Special*</b>
<b>Code</b>	<b>Hazardous Location Certifications</b>
<b>-K0</b>	<b>Maker Standard (Waterproof:IP67)*</b>
<b>-K1</b>	<b>Korea Flameproof Approval(KCs)*</b>
<b>Code</b>	<b>Option</b>
<b>M1</b>	<b>LCD Indicator</b>
<b>LP</b>	<b>Lightening Protector</b>
<b>BR</b>	<b>Stainless Steel Bracket (with SST Bolts)</b>
<b>ST</b>	<b>Stainless Steel Housing</b>

Example : ALT6200-L6HA61SSV1K0M1

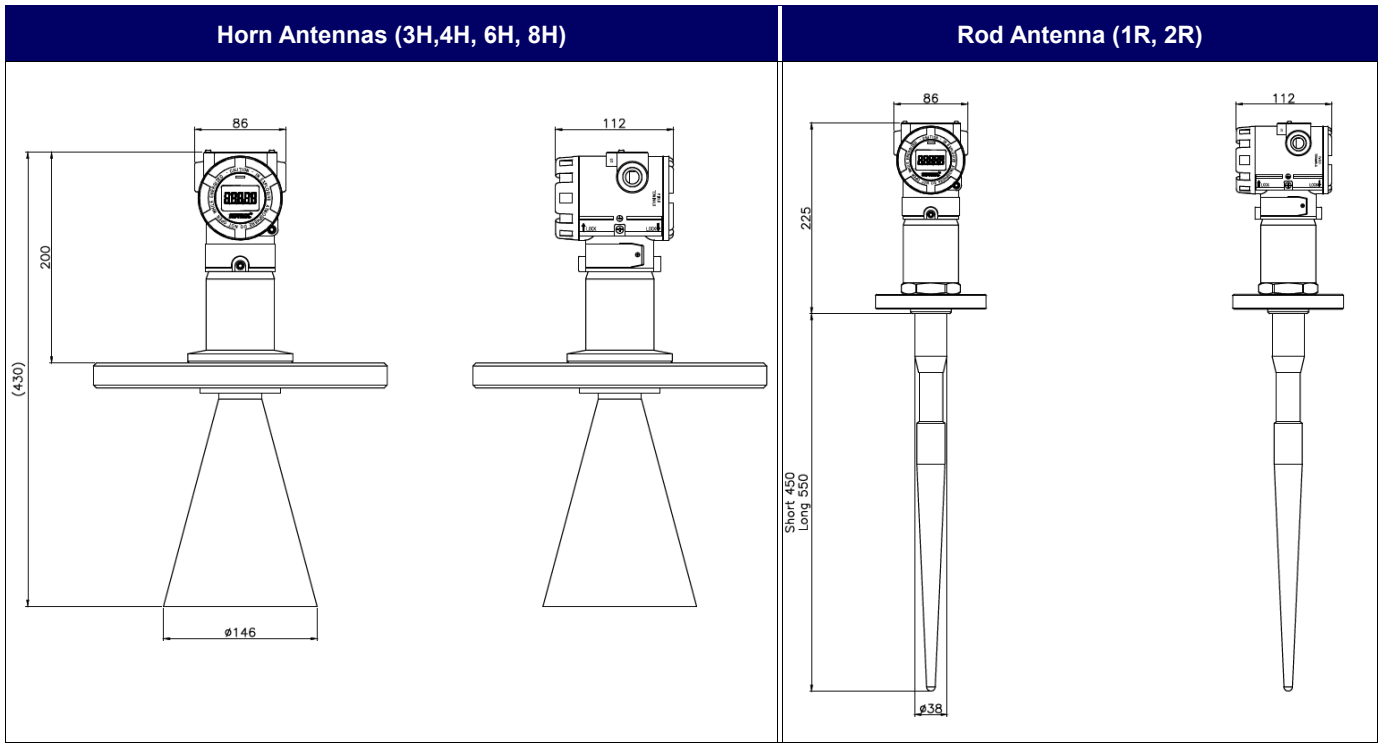
Radar Level Transmitter, 6" Horn Antenna, 6" ANSI, #150, Flange, Standard Temp/Pressure,

Material of Construction 304 SST, Viton O-ring, 1/2 14 NPT ,

Maker Standard Certification, LCD Indicator

Note : "\*" consult manufacturer before order

# Antenna Drawings



# Operation Manual

