

GET THE HIGH QUALITY WATER NEEDED FOR EQUIPMENT PERFORMANCE & BEVERAGE QUALITY

The AQ-RO series of reverse osmosis systems are designed to deliver the high quality water by reducing a wide spectrum of contaminants, keeping your hot water equipment clean and improving your beverage quality.

The AQ-RO reduces contaminants from the incoming water supply and is the perfect solution for applications that require a low total dissolved solids. AQ-RO reverse osmosis series are compact, wall mounted systems that can provide up to 600 gallons of water per day. These systems produce water that is equal to the quality you would expect from bottled water, in a package that is as reliable as it is convenient.



Model: AQ-RO Reverse Osmosis System



High Quality Water

Three-stage treatment process improves the quality of your water.



Digital Display

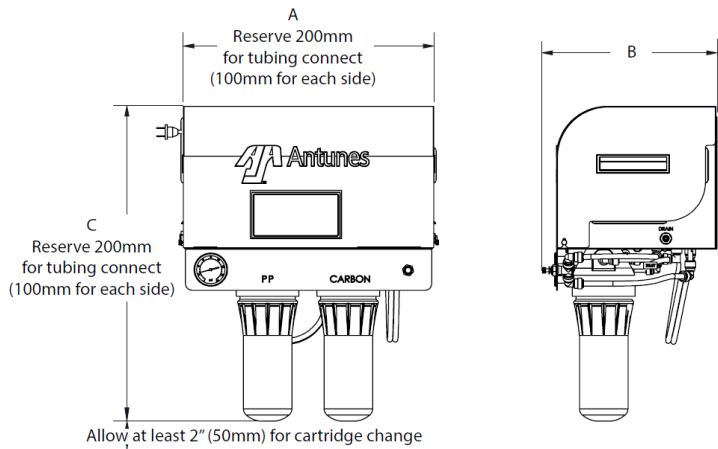
Color display panel with system status, operation, and TDS readings for inlet and product water.



Fast Flush Feature

Improve membrane performance and water quality.

AQ Reverse Osmosis System | AQ-RO



Features:

- Optional disinfecting UV lamp for bacterial reduction
- Color display panel with system status, operation, and TDS readings for inlet and product water
- Adjustable blend valve allows for fine-tuning of the product water TDS
- Fast flush feature improves membrane performance and product water quality.

AQ Reverse Osmosis System

RO System Information

Model Mfg. No.	Width (A)	Depth (B)	Height (C)	Nominal Flow Rate	Inlet	Outlet	Drain	Voltage	Power	Current	Operation Temperature	Minimum Operation Pressure
AQ-RO-400 9710141	18.6" (472 mm)	12" (305 mm)	24" (610 mm)	400 GPD 1510 LPD	3/8" (9.53 mm) Tube	1/4" (6.35 mm) Tube	1/4" (6.35 mm) Tube	220VAC 50Hz	110W	0.5A	5-38 °C	10 PSI
AQ-RO-400 W/O UV 9710143	18.6" (472 mm)	12" (305 mm)	24" (610 mm)	400 GPD 1510 LPD	3/8" (9.53 mm) Tube	1/4" (6.35 mm) Tube	1/4" (6.35 mm) Tube	220VAC 50Hz	110W	0.5A	5-38 °C	10 PSI
AQ-RO-600 9710142	18.6" (472 mm)	12" (305 mm)	24" (610 mm)	600 GPD 2270 LPD	3/8" (9.53 mm) Tube	1/4" (6.35 mm) Tube	1/4" (6.35 mm) Tube	220VAC 50Hz	110W	0.5A	5-38 °C	10 PSI
AQ-RO-600 W/O UV 9710158	18.6" (472 mm)	12" (305 mm)	24" (610 mm)	600 GPD 2270 LPD	3/8" (9.53 mm) Tube	1/4" (6.35 mm) Tube	1/4" (6.35 mm) Tube	220VAC 50Hz	110W	0.5A	5-38 °C	10 PSI

RO Membrane Information

Model	Brand	Quantity	Working Pressure	TDS Reduction Rating	Lifespan
DOW'S TAPTECT	1 EA	TT-3012-400	70-80 PSI	96%	24 months

PP Filter Information

Quantity	Size	Normal Pore Size	Lifespan
1 EA	10" (254 mm)	10 microns	6 months

Carbon Filter Information

Quantity	Size	Normal Pore Size	Lifespan
1 EA	10" (254 mm)	5 microns	6 months

Dimensions are for item without shipping box. Shipping weight includes item and shipping box.