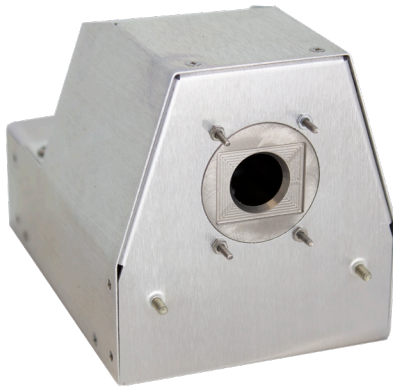




Mox140G Fan Beam



Mox140G Cone Beam

Moxtek manufactures low-power miniature X-ray sources for a variety of applications including handheld XRF, Security and NDT and benchtop instruments. Moxtek sources are small, lightweight and can be packaged into customer enclosures. Mox 140G is ideally configured for backscatter and traditional imaging. Mox 140G is capable of running at 140kV (max).

## Specifications

<i>Tube type:</i>	Metal-ceramic
<i>Operating Temperature°:</i>	-10° to +50° C
<i>Storage Temperature°:</i>	-30° to +65° C
<i>Cooling:</i>	Forced air (as needed)
<i>Weight:</i>	1.9kg
<i>Available Targets:</i>	Tungsten
<i>HV Polarity:</i>	Bi Polar
<i>Anode:</i>	Transmission Window
<i>High Voltage Potential:</i>	140kV (max)
<i>Maximum Exposure:</i>	30 sec at 7 W
<i>Maximum Power:</i>	7 W (max)
<i>Maximum Average Power:</i>	3.5 W
<i>Radiation Leakage:</i>	< 1.0mR/hr @ 5cm

## Source Characteristics

<i>Focal Spot Size:</i>	1.0mm max FWHM
<i>Focal Spot to Object:</i>	14.4mm
<i>Window:</i>	0.001in Tungsten
<i>Input Power:</i>	15 W
<i>Control:</i>	Digital I2C
<i>Internal Collimator:</i>	Maximum solid cone or fan angle 60°
<i>Standard Warranty:</i>	1 year with typical usage.

## Applications

### X-ray Imaging

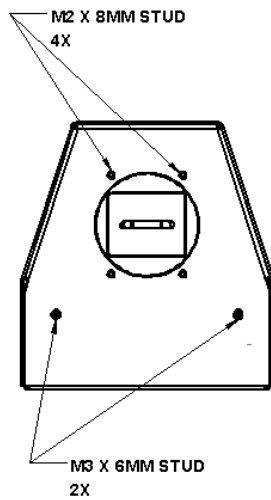
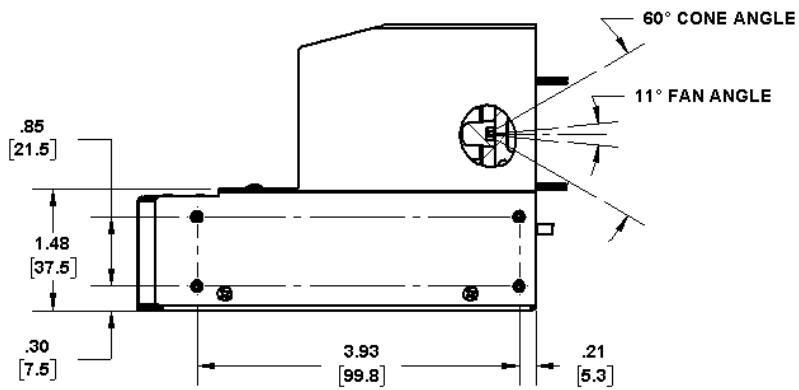
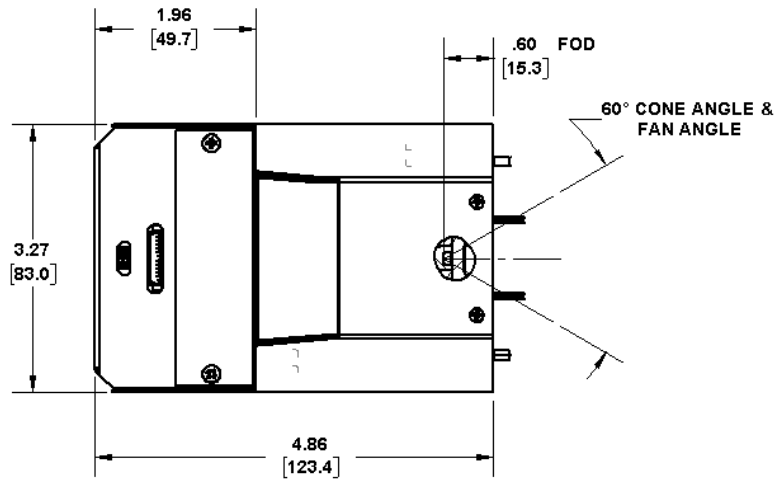
- Security
- Backscatter Imaging
- Non-destructive testing
- C-arm Fluoroscopy
- Radiography
- Medical C-arms

### X-Ray Fluorescence

- Benchtop XRF

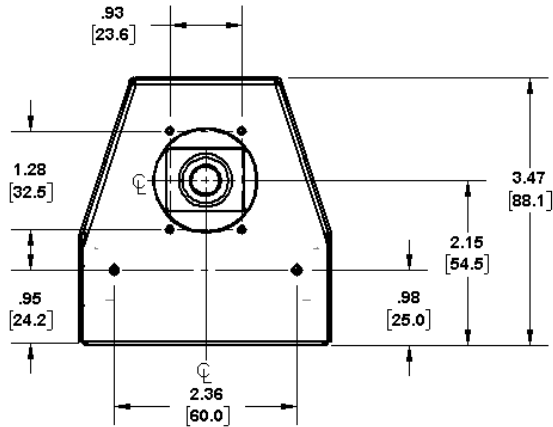
## Notes

- Caution: Initial cold warm up requires a 3 second ramp to full output.
- Operating Temperature: Moxtek recommends a warm up period of 10 minutes before running below 0°C.
- \*Radiation Leakage: Moxtek takes every precaution with radiation leakage but it is up to the end user to make sure there is adequate protection for your needs. Consult with an application engineer for your specific application.



FAN BEAM COLLIMATER

1.02 X .82 RECESS X .03 DP



CONE BEAM COLLIMATER



452 West 1260 North / Orem, UT 84057  
 Phone 801.225.0930 / Fax 801.221.1121  
[www.moxtek.com](http://www.moxtek.com)  
[info@moxtek.com](mailto:info@moxtek.com)

**WARNING**

X-rays are emitted from the sides and ends of this product when energized. Moxtek takes actions to reduce the exposure rate from X-rays emitted from the sides through the use of various shielding agents inherent to this product design. It is the buyer's responsibility to ensure adequate protection is provided in the testing and manufacturing of the final product and that users are adequately shielded from incidental exposure.