

VS3 Vision System

Specifications

Description

The Intellemetrics VS3 Vision System is a wafer imaging system designed to give high resolution views of patterned substrates in vacuum etch or deposition systems over a range of working distances for 100mm to 1,000mm.

Image resolution depends upon the working distance and field of view, but typically resolutions of 5µm can be obtained at working distances of 600mm and fields of view of 7mm.

Camera:

Sensor Type: CMOS
Sensor Size: 5Mpixel, 2560 x 1920 pixels
Pixel Size: 2.2µm
Interface: GigE

Focuser:

Focuser Travel: 80mm
Fine Focus Reduction: 10:1
Focus Types: Manual or motorised
Resolution:
Manual
Coarse = 60 µm per degree
Fine = 6 µm per degree
Motorised
2.7 µm per step

Power Requirements

Power Supply: 12 to 24 Vdc
Power Consumption: 3.5W

Ambient Conditions:

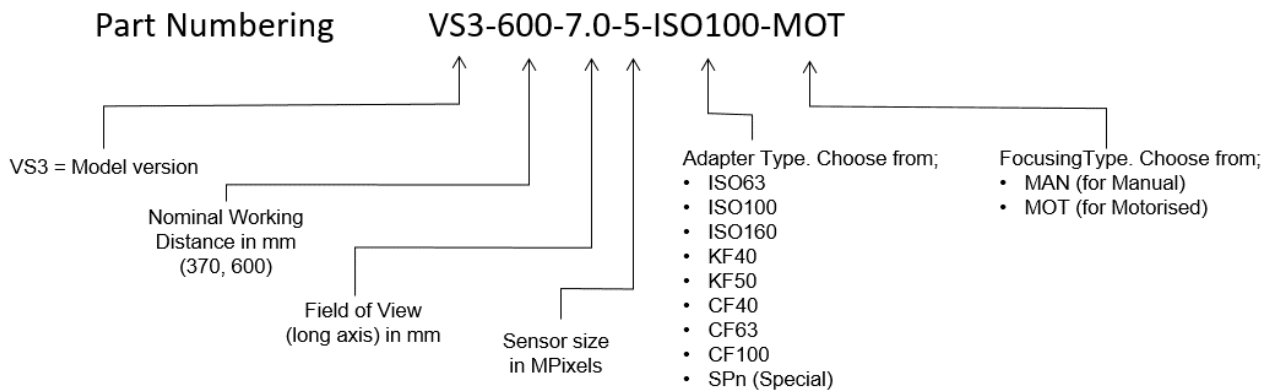
Device Temperature During Operation: 0°C to 55°C
Humidity (relative, non-condensing): 20% to 80%

Connectors:

Power Connector: Lemo EGG.0B.302.CLL, Pin1 = +Vdc, Pin2 = 0V
Camera Image Output: Cat6e cable up to 25m length.

Certifications:

All versions of the VS3 Vision System are certified RoHS and CE compliant.



Contact Us

For further information on the VS Vision System, or any other Intellemetrics product, please contact us at:

Intellemetrics Global Ltd

Suite 1014 Mile End Mill

Paisley

PA1 1JS

United Kingdom

Tel: +44 (0) 141 889 0700

Email: enquiries@intellemetrics.com

Web: www.intellemetrics.com

Please go to www.intellemetrics.com/Contact for a current list of international agents & distributors.

Specification Sheet Version 1.0

Intellemetrics Global Ltd reserves the right to change specifications from time to time. Please contact us to request the latest version.

