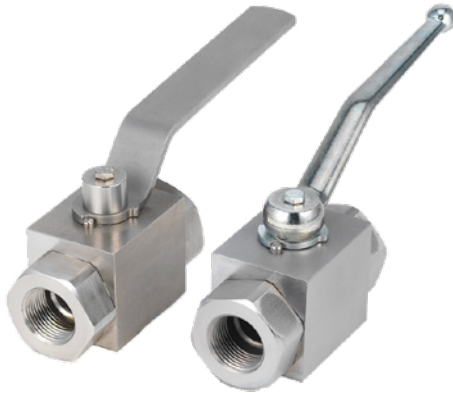
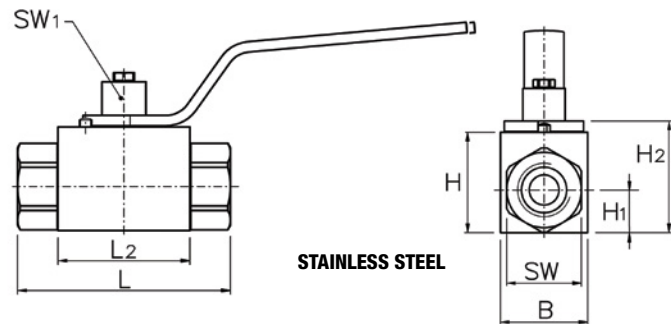
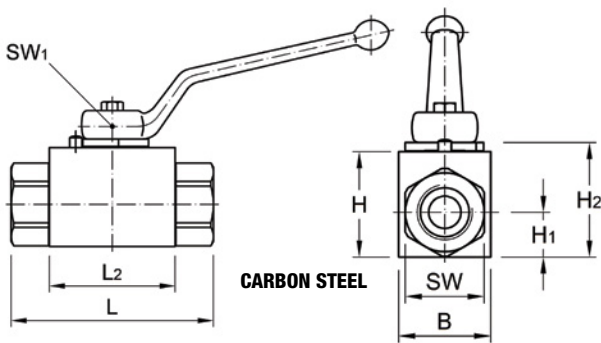


# AE2 Series - Two-Way Block Body Threaded



- Carbon steel with zinc nickel plating
- 316 stainless steel available from stock
- POM seats and Buna O-rings standard on carbon steel valves (-11DB)
- POM seats and Viton O-rings standard on stainless steel valves (-22DV)
- Unrestricted bore up to 1" size
- Handle shown in Handle Code field supplied standard
- Dimensions in inches unless otherwise noted
- Dimensions subject to change without notice



**CARBON STEEL AE2 SERIES NPT/SAE**

NPT PART NUMBER	SAE PART NUMBER	DN (NOMINAL SIZE IN MM)	NPT THREAD	SAE THREAD	L	L2	B	H	H1	H2	SW	SW1	HANDLE CODE (SEE PG 50-51)	WEIGHT (LBS)	PSI MAX	LOCKING KIT # (SEE PG 48-49)
AE2N1/8-11DB	-	4	1/8 - 27	-	2.72	1.42	0.79	0.98	0.39	1.08	0.75	0.28	12	0.5	7250	LK4/6
AE2N1/4-11DB	AE2S#4-11DB	6	1/4 - 18	7/16 -20 UNF-2B	2.72	1.42	0.79	0.98	0.39	1.08	0.75	0.28	12	0.5	7250	LK4/6
AE2N3/8-11DB	AE2S#6-11DB	10	3/8 - 18	9/16 -18 UNF-2B	2.87	1.77	1.18	1.38	0.57	1.52	0.94	0.31	13	1.1	7250	LK8/10
AE2N1/2-11DB	AE2S#8-11DB	12	1/2 - 14	3/4 -16 UNF-2B	3.23	2.01	1.38	1.57	0.67	1.71	1.18	0.39	14	1.8	7250	LK12
AE2N3/4-11DB	AE2S#12-11DB	20	3/4 - 14	1-1/16 -12 UN-2B	3.66	2.36	1.78	2.17	0.94	2.32	1.61	0.55	15	2.6	6090	LK20/25
AE2N1-11DB	AE2S#16-11DB	25	1-11.5	1-5/16 -12 UN-2B	4.53	2.76	2.17	2.36	1.02	2.52	1.97	0.55	15	3.3	6090	LK20/25
AE2N1-1/4R-11DB	AE2S#20R-11DB	32/25	1-1/4-11.5	1-5/8 -12 UN-2B	5.16	2.76	2.17	2.36	1.02	2.52	1.97/2.17	0.55	15	4.9	6090	LK20/25
AE2N1-1/2R-11DB	AE2S#24R-11DB	40/25	1-1/2-11.5	1-7/8 -12 UN-2B	5.63/5.28	2.76	2.17	2.36	1.02	2.52	2.17/2.56	0.55	15	5.1	6090	LK20/25

**STAINLESS STEEL AE2 SERIES NPT/SAE**

NPT PART NUMBER	SAE PART NUMBER	DN (NOMINAL SIZE IN MM)	NPT THREAD	SAE THREAD	L	L2	B	H	H1	H2	SW	SW1	HANDLE CODE (SEE PG 50-51)	WEIGHT (LBS)	PSI MAX	LOCKING KIT # (SEE PG 48-49)
AE2N1/4-22DV	AE2S#4-22DV	6	1/4 - 18	7/16 -20 UNF-2B	2.72	1.42	0.79	0.98	0.39	1.16/1.08	0.75	0.28	32	0.5	7250	LK4/6
AE2N3/8-22DV	AE2S#6-22DV	10	3/8 - 18	9/16 -18 UNF-2B	2.87	1.77	1.18	1.38	0.57	1.56/1.52	0.94	0.31	33	0.9	7250	LK8/10
AE2N1/2-22DV	AE2S#8-22DV	12	1/2 - 14	3/4 -16 UNF-2B	3.23/3.54	2.01/1.77	1.38/1.18	1.57/1.38	0.67/0.57	1.75/1.52	1.18/1.06	0.39/0.31	34	1.5	7250	LK12
AE2N3/4-22DV	AE2S#12-22DV	20	3/4 - 14	1-1/16 -12 UN-2B	3.66/4.21	2.36/1.97	1.77	2.17/1.77	0.94/0.79	2.38/1.91	1.61/1.42	0.55/0.39	35	2.8	6090	LK20/25
AE2N1-22DV	AE2S#16-22DV	25	1-11.5	1-5/16 -12 UN-2B	4.53/4.57	2.76/2.36	2.17/1.77	2.36/2.17	1.02/0.94	2.58/2.32	1.97/1.81	0.55	35	4.3	6090	LK20/25



# AE2 Series - Two-Way Block Body Threaded

## Model Code Breakdown

AE2 N1 \_ - 1 1 D B \_

**VALVE SERIES**

**CONNECTION TYPE/SIZE**

N	NPT Pipe Thread
S	SAE Straight Thread
B	BSPP Thread

**BORE RESTRICTION**

blank	Unrestricted Bore
R	Restricted Bore

**BODY & ADAPTER MATERIAL**

1	Carbon Steel
2	316 Stainless Steel

**LOCKING KIT OR OPTIONAL HANDLE CODE**  
(See pages 48-51)

**ADAPTER & STEM SEALS**

B	Buna
V	Viton

**BALL & STEM SEATS**

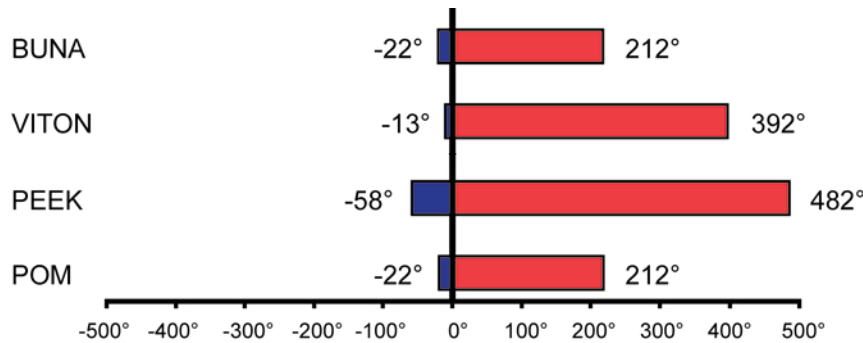
D	POM
---	-----

**BALL & STEM MATERIAL**

1	Carbon Steel
2	Duplex/ 316 Stainless Steel

Please consult your system's seal manufacturer for recommendation of seal selection, as Anchor Fluid Power does not accept responsibility for seal selection.

### MAXIMUM & MINIMUM WORKING TEMPERATURES FOR SEAL MATERIALS



All temperatures are in degrees Fahrenheit.