

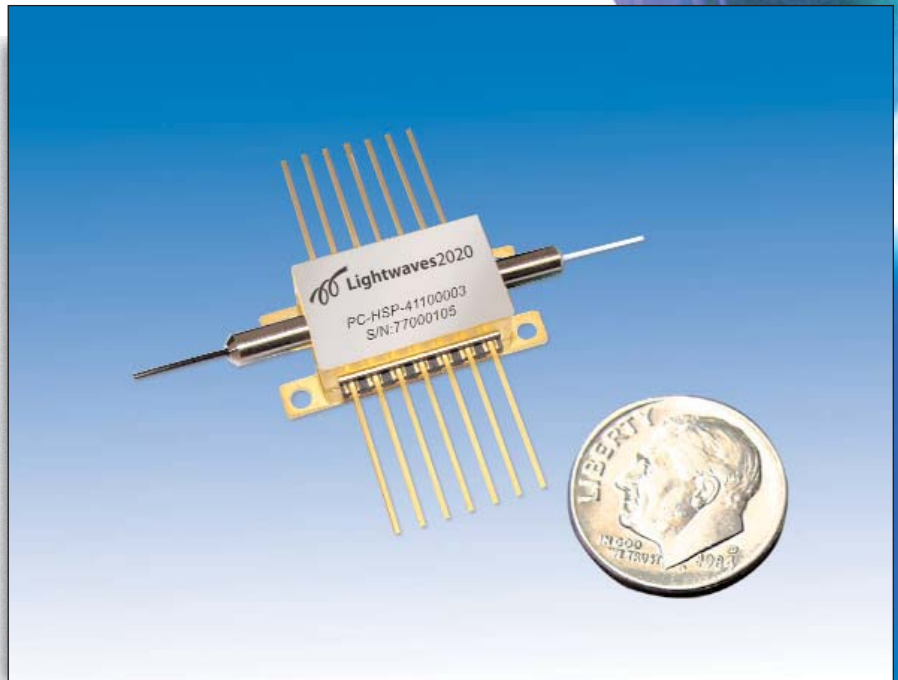
High Speed Polarization Controller

Features / Benefits

- High speed (μ s)
- Broadband wavelength ranges
- No moving parts
- Low insertion loss
- Low PDL over operating wavelength range
- Solid state technology

Applications

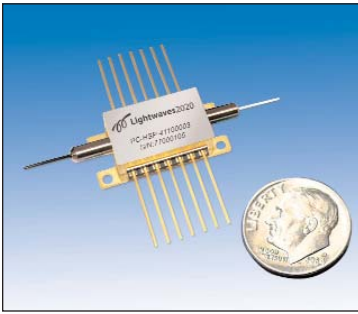
- PMD compensation
- Polarization generator
- Polarization scrambler
- Polarization Mux / DeMux
- Polarization instrumentation
- Fiber sensing
- Polarization dependent imaging
- Polarization coded optical security



The Lightwaves2020's high-speed polarization controller (PC) is based on novel optical material offering fast response in μ s, in contrast with conventional polarization controllers with speed in *ms*. The dramatic increase in response speed enables the new polarization controller suitable for demanding 40Gbs PMDC application as well as polarization Mux / DeMux. In addition, the new high-speed polarization controller is ideal for fiber sensing in optical security, spectroscopy and polarization dependent imaging in biomedical applications.

An optional driver-PCB, on which the polarization controller is mounted, is provided. The device is driven by 0-5 VDC voltage to produce 0 - 2p phase retardation of polarization state.

The high-speed polarization controller (PC) has options of three or four cell design. The fourth cell is added for faster searching and controlling.



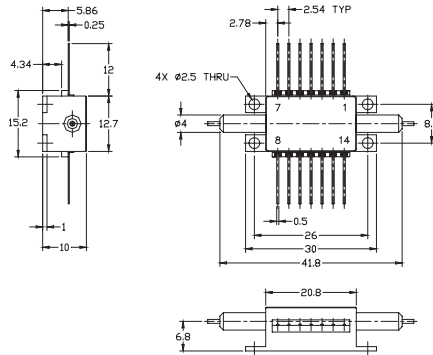
High Speed Polarization Controller

Specifications

Parameters	Unit	Performance
Operational Wavelength Range	nm	1528 to 1610
Response Speed	μ s	< 10
Maximum Insertion Loss	dB	< 1.0
PMD	ps	< 0.05
Maximum Back-Reflection	dB	< -50
Driving Voltage (with driver)	VDC	0 - 5
Dimensions (L x W x H)	mm	46 x 38 x 13.3

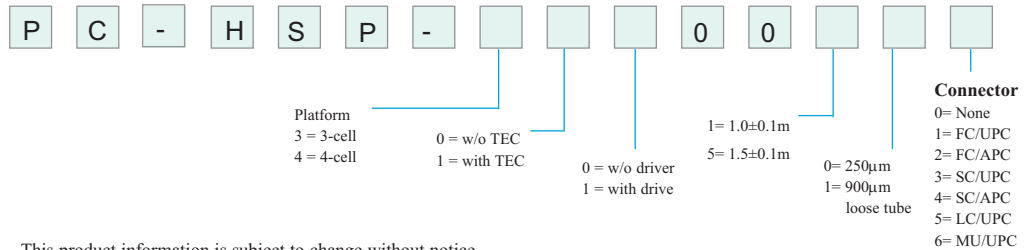
Note: 1. all specification referred without connectors.
2. measured at wavelength 1550nm.

Dimensions



Units: mm

Ordering Information



This product information is subject to change without notice.



1323 Great Mall Drive, Milpitas, CA 95035-8037
Tel.408.503.8888 Fax. 408.503.8988
www.lightwaves2020.com

12-08-2009