



**OPERATING WATERBLASTING EQUIPMENT
CAN BE POTENTIALLY HAZARDOUS.**

SEE PAGE 125 FOR IMPORTANT SAFETY INFORMATION



It is my recommendation that anyone who wants to be a major player in the industrial cleaning industry should be running StoneAge equipment. It is the responsible choice not only for the company, but also for the client."

**DAVID LAMOUREUX
PROJECT MANAGER**

TUBE CLEANING

AUTOBOX® ABX-PRO

The AutoBox ABX-PRO is a hose feed tractor engineered with safety, portability and quick set-up in mind. This versatile device is designed with multiple mounting options and accessories to adapt it for a wide variety of small diameter pipe, drain and tube cleaning applications.

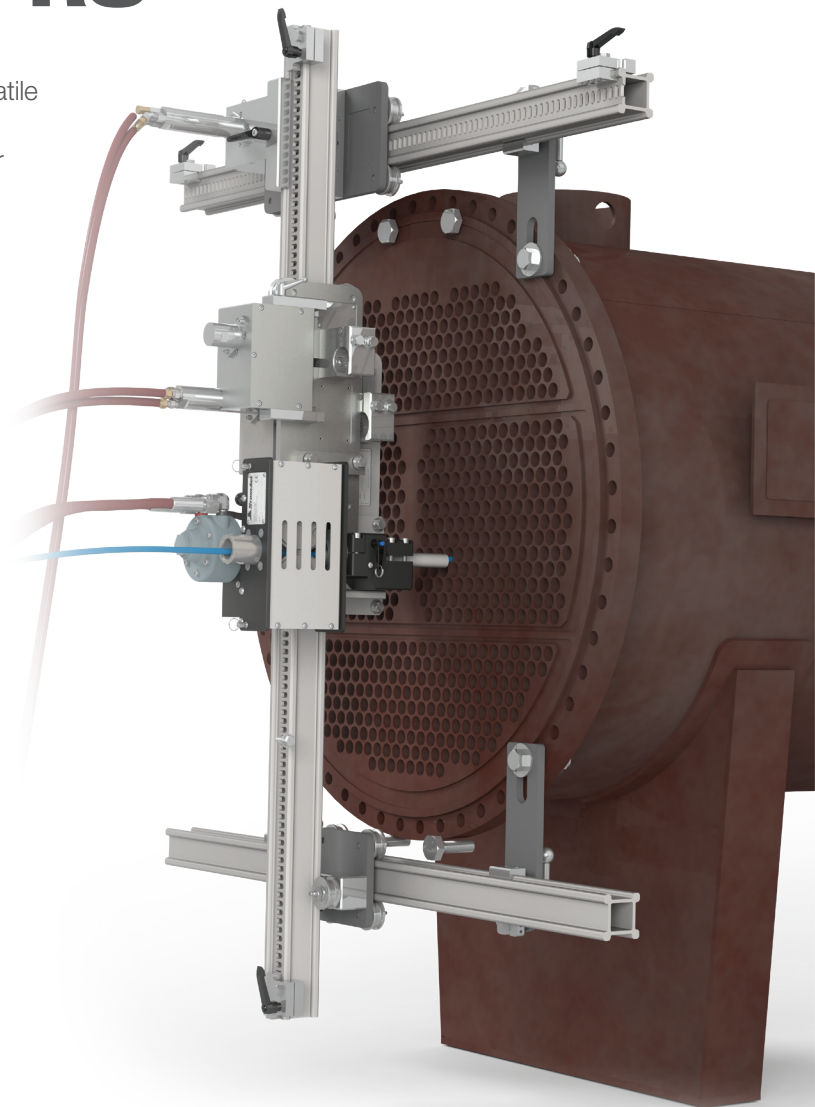
The ABX-PRO is the perfect tool for limited access applications and includes a lightweight control box for increased safety and mobility.

FEATURES:

- Ultra portable system design
- Interchangeable rollers to accommodate multiple hose sizes
- Independently adjustable forward and reverse feed rate to customize dwell time
- Ergonomic control box
- Multiple mounting kits available for tube, pipe, and drain cleaning
- Add hose rotation with NAV-170-PKG accessory for cleaning pipe with multiple bends

Package it with AUTOPACKS!

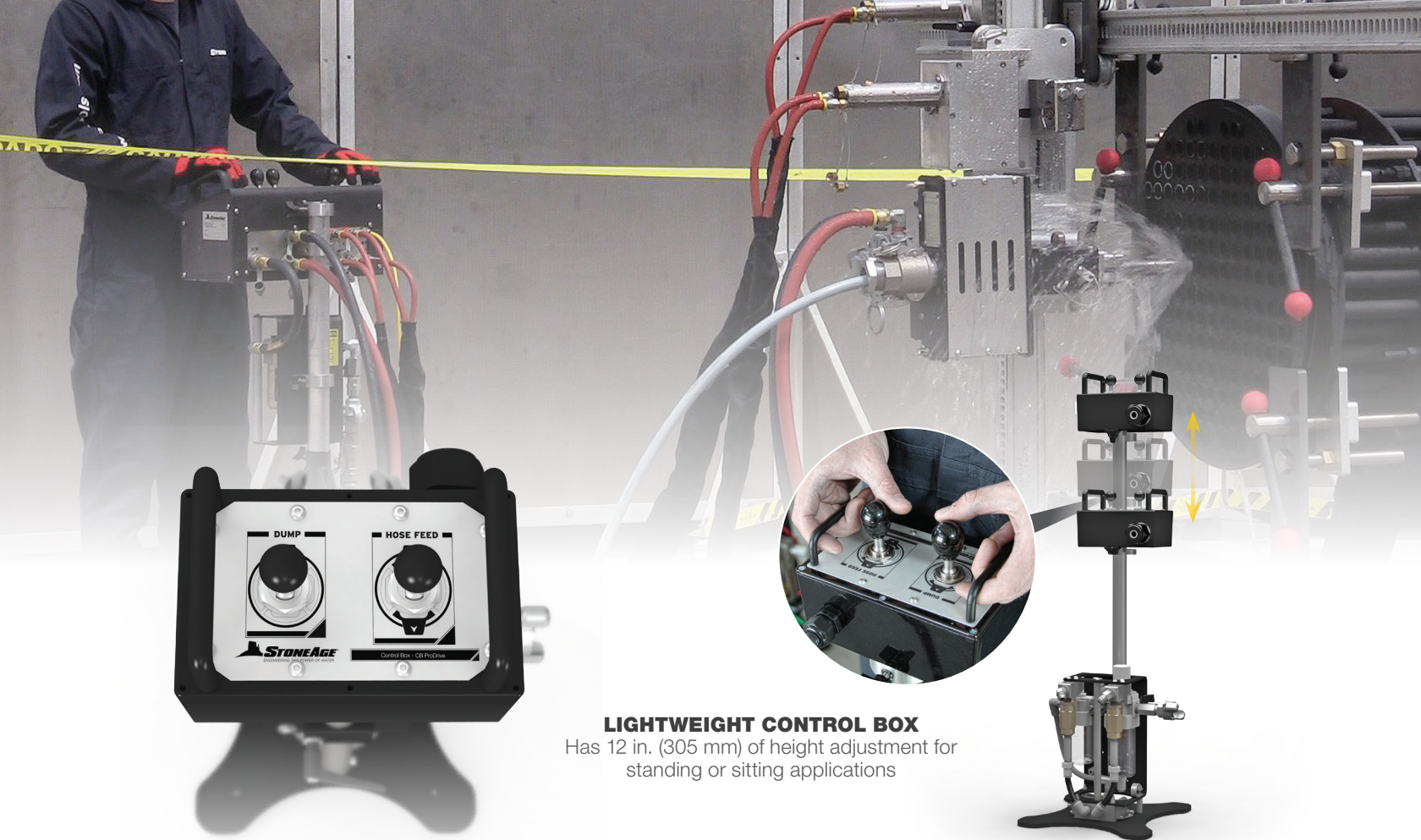
See WWW.STONEAGETOOLS.COM for details



SPECIFICATIONS:

PIPE SIZE	2–8 in. (51–203 mm)
HOSE FEED RATE	0.2–2.5 ft/sec (61–762 mm/sec)
HOSE SIZES	3/2–8/4, 3/8 Rubber Covered
WEIGHT	25 lb (11.3 kg)

 **STONEAGE®**
ENGINEERING THE POWER OF WATER
1-866-795-1586 • WWW.STONEAGETOOLS.COM

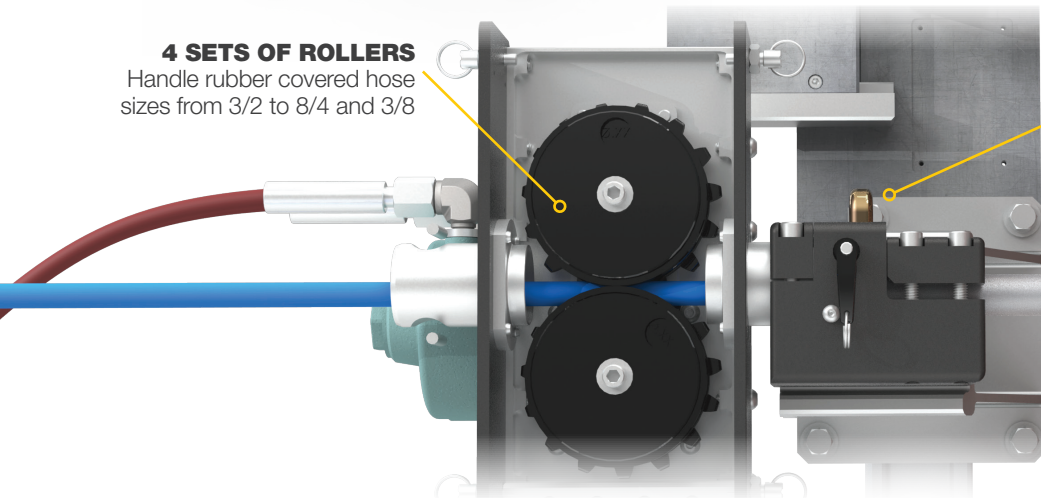


LIGHTWEIGHT CONTROL BOX

Has 12 in. (305 mm) of height adjustment for standing or sitting applications

4 SETS OF ROLLERS

Handle rubber covered hose sizes from 3/2 to 8/4 and 3/8



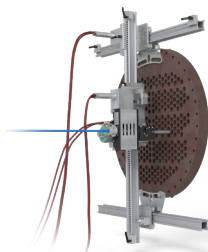
COLLET BLOCK BACK-OUT PREVENTER

Increases job site safety by preventing high pressure tools from backing out.

GUIDE TUBES

Handles a full range of guide tubes – no adapters required.

ACCESSORIES



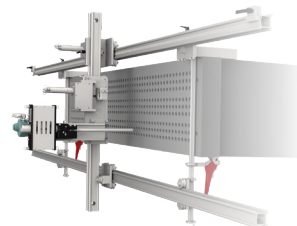
LIGHTWEIGHT POSITIONER

Proven versatility, quick and easy to install.



HOSE CONTAINMENT

Protects hose and improves workplace safety.



FIN FAN ACCESSORY

Adapts the AutoBox family to clean Fin Fan style exchangers.

