

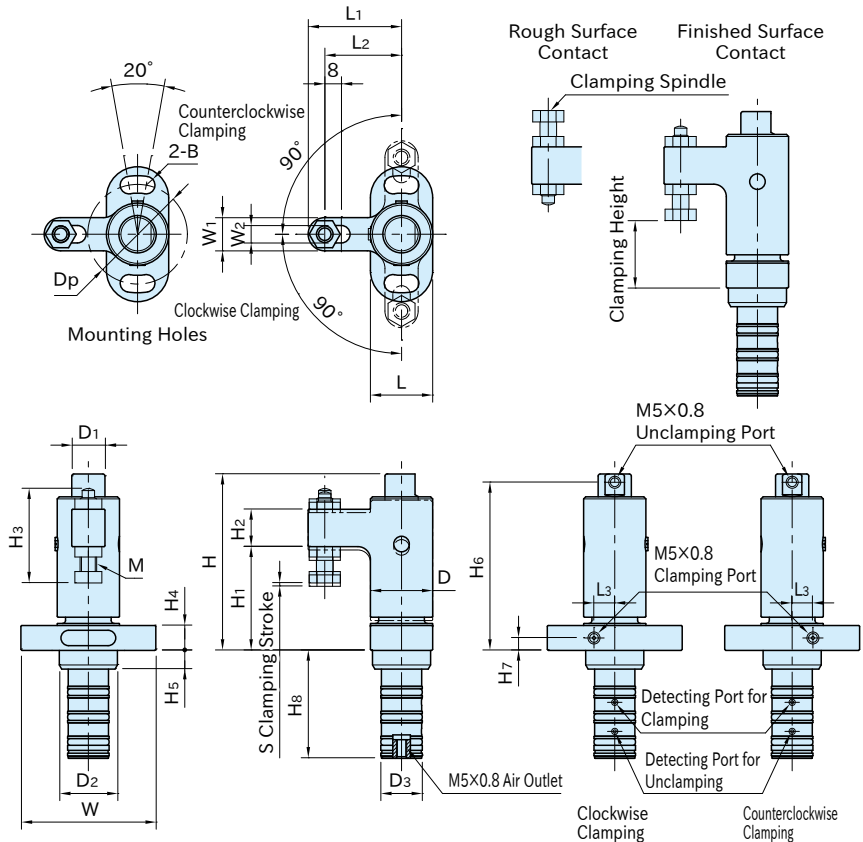
# AMWSW-W-AG

## COMPACT PNEUMATIC SWING CLAMPS WITH DETECTING PORTS (Gasket Piping)



★Key Point  
Compact design!

Body / Clamp Arm / Piston	Holder	Clamping Spindle
SCM440 steel Electroless nickel plated	A5056 aluminum Anodized	S45C steel Quenched and tempered Electroless nickel plated



Part Number	Clamping Direction	Clamping Height *)				S	L <sub>2</sub>	L <sub>1</sub>	W	L	H <sub>4</sub>	B	D <sub>p</sub>	H	D	W <sub>1</sub>	W <sub>2</sub>	H <sub>2</sub>	H <sub>1</sub>
		Finished Surface Contact		Rough Surface Contact															
		Min.	Max.	Min.	Max.														
AMWSW16R-W-AG	CW	32.5	39	33.5	40	1.2	37	45	65	30	12	8.4	48	85	30	16	8.4	18	50
AMWSW16L-W-AG	CCW																		
AMWSW20R-W-AG	CW	41.5	51	44	53.5	1.6	45	55	85	40	15	10.5	64	106	40	20	10.4	22	65
AMWSW20L-W-AG	CCW																		

Part Number	M	H <sub>3</sub>	D <sub>1</sub>	D <sub>2</sub>	H <sub>5</sub>	L <sub>3</sub>	H <sub>6</sub>	H <sub>7</sub>	H <sub>8</sub>	D <sub>3</sub>	Operating Air Pressure(MPa)	Clamping Force(kN)**	Holding Capacity(kN)**	Weight (g)
AMWSW16R-W-AG	M 8×1.25	45.5	16	28	9	10	81	6	52	20	0.5~0.7	0.35	0.7	540
AMWSW16L-W-AG														
AMWSW20R-W-AG	M10×1.5	57	22	35	11	13	101	8	62	25	0.5~0.7	0.55	1.1	1180
AMWSW20L-W-AG														

\*) Clamping height can be adjusted within this range. \*\*) The clamping force and the holding capacity above are at 0.5 MPa.

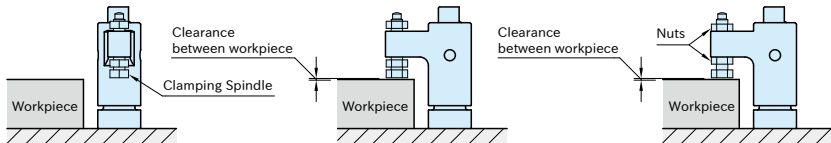
### Feature

Using with pressure sensors, clamping/unclamping conditions can be detected.

### How To Use

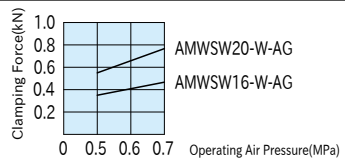
#### ■ Setting Clearance between Workpiece

A clearance between clamping spindle and workpiece should be roughly half of the clamping stroke. The clamp arm swings horizontally. Follow the steps below to adjust the clamping spindle to create proper clearance.

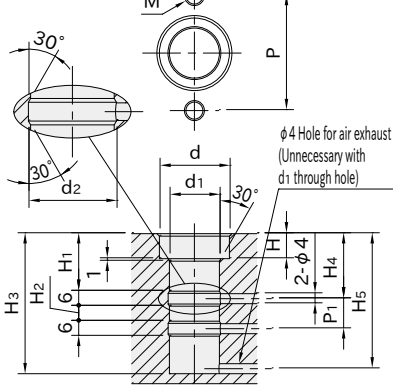


1. Apply air to the unclamping port with an air blow gun to move the clamp to unclamping position.
2. Rotate the arm manually to straight direction, and create an appropriate clearance to the workpiece. Putting a feeler gauge between the workpiece and the clamping spindle facilitates this setting.
3. Fix the clamping spindle with nuts.

### Performance Curve

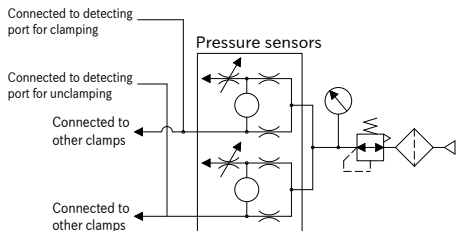


#### ■ Mounting-Hole Dimension



#### ■ Connection with Pressure Sensors

To check clamping/unclamping conditions, pressure sensor is required. Refer to the figure below for piping.



Part No.	d <sub>(H2)</sub>	H	d <sub>1</sub> (H8)	H <sub>1</sub>	H <sub>2</sub>	d <sub>2</sub>	H <sub>3</sub>	P <sub>1</sub>	H <sub>4</sub>	H <sub>5</sub>	M	P
AMWSW16-W-AG	28	10	20	23	6	21	56 or more	12	26	54	M 8×1.25	48
AMWSW20-W-AG	35	12	25	29	10	26	66 or more	16	32	64	M10×1.5	64