

Door damper VS 2000

The model with cased hook



Website

CHARACTERISTICS

- Compact form: When the door is closed, the door damper and the hook look like a single unit
- Available in many finishes: chrome-plated or color-coated
- Robust construction: Thanks to its casing, the hook is extremely resistant
- Suitable for a wide range of door types and installation situations thanks to its closing force from 20 to 115 N

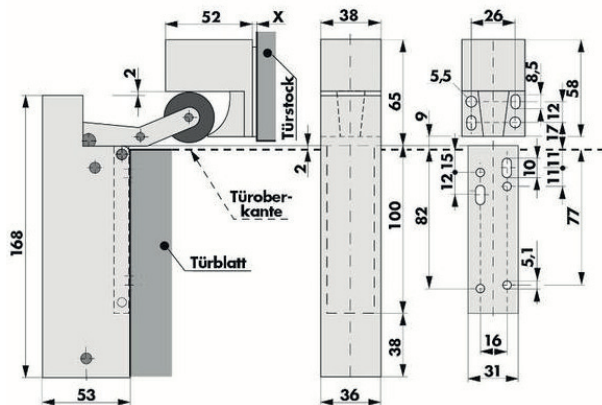
MOUNTING OPTIONS

- Suitable for overlapping and flush doors
- Installed vertically and centered on the upper edge on the hinge side of the door as standard
- Also suitable for horizontal installation 20 N, 35 N, 50 N



DIMENSIONS

All dimensions in mm



- Türstock > door frame
- Türüberkante > upper edge of door leaf
- Türblatt > door leaf

Dimension of X: On overlapping doors the included plastic spacers (2 mm, 3 mm and 10 mm thick) compensate for a height difference of up to 15 mm between door leaf and frame. More information on the dimensions of all mounting plates and brackets can be found under 'Installation accessories'.

TECHNICAL DATA

Type of doors	left opening and right opening hinged doors, flush and overlapping doors
Closing force	20 N; 35 N; 50 N; 80 N; 115 N
Damping characteristics	progressive
Closing speed	adjustable
Damping fluid	silicone oil
Material	steel; aluminium (hook)
Finish (steel)	bright chrome; satin chrome; coated in RAL colors
Components included	door damper, hook, 3 plastic shims (2/3/10 mm thick), screws for wooden doors

INSTALLATION



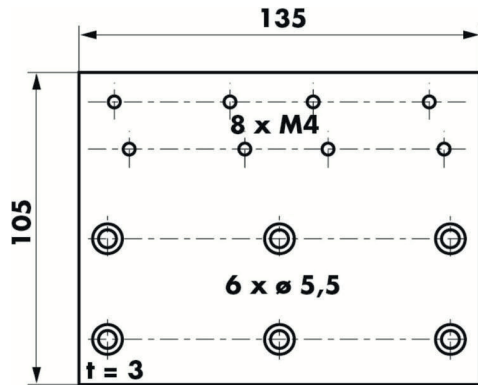
Installation instructions

INSTALLATION ACCESSORIES

All dimensions in mm

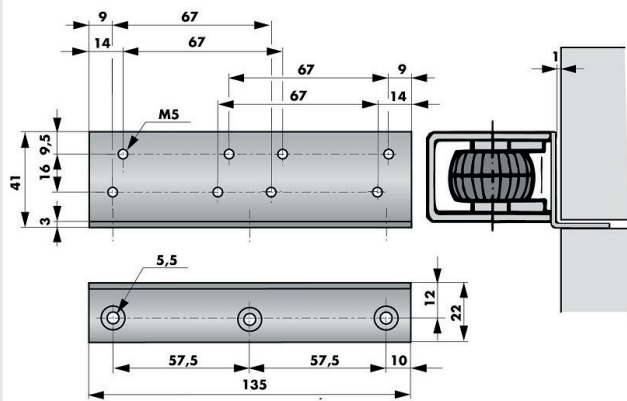
Mounting plate for horizontal installation on aluminium doors

Part no. 205279



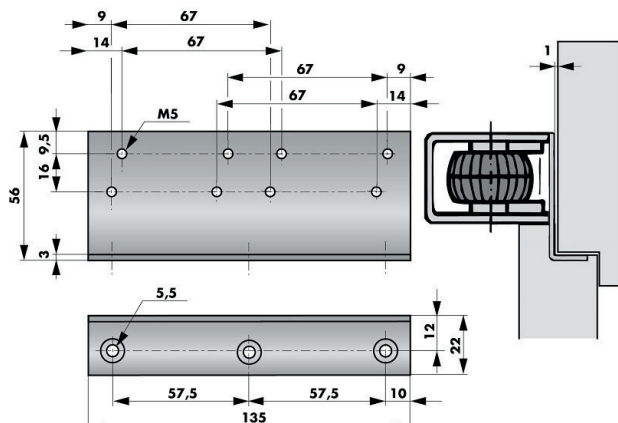
Mounting bracket for horizontal installation on flush doors

Part no. 205221



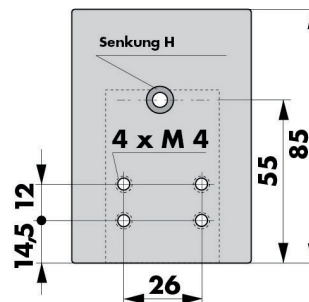
Mounting bracket for horizontal installation on overlapping doors

Part no. 205220



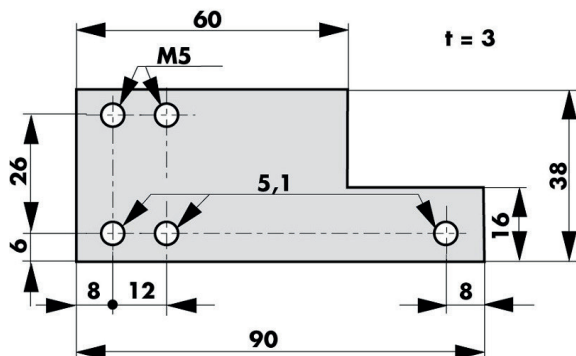
Mounting plate for the hook

Part no. 205232



Mounting plate for horizontal installation of hook

Part no. 205256



ORDER INFORMATION

Force	Chromium plated	Satin chrome	RAL 9010 white	RAL 8017 brown	RAL 9005 black	RAL 9006 grey
20 N	300575	300575X	300520	300556	*	*
35 N	300570	300570X	*	*	*	*
50 N	300500	300500X	300511	300525	300516	300512
80 N	300550	300550X	300554	*	*	*
115 N	300560	300560X	300564	*	*	*

* On request
For larger quantities, other colors are also possible on request.

ACCESSORIES

Description	Part no.
Mounting plate for horizontal installation of VS 2000 door damper on aluminium doors, with 4 screws M4 x 6, zinc-plated steel	205279
Mounting bracket for horizontal installation of VS 2000 door damper on flush doors, with 4 screws M5 x 6, zinc-plated steel	205221
Mounting bracket for horizontal installation of VS 2000 door damper on overlapping doors, with 4 screws M5 x 6, zinc-plated steel	205220
Mounting plate for horizontal installation of hook type 1020	205256
Set of spacers for VS 2000 (3 pieces, thickness: 2, 3 and 10 mm)	205268
Mounting plate for hook type 1020 for VS 2000, no fixing accessories	205232