

Self-Aligning Couplers

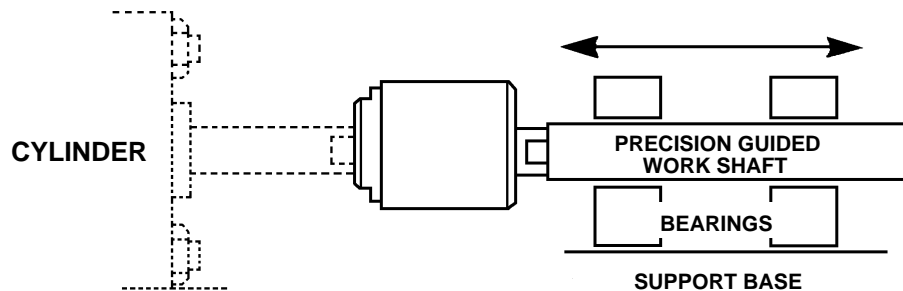


Features:

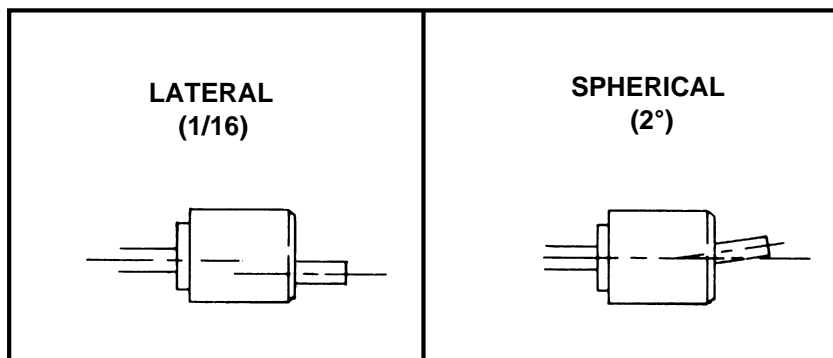
- ❑ Eliminates expensive precision machining for mounting fixed or rigid guide in cylinder for slide applications.
- ❑ Increases cylinder efficiency by eliminating friction caused by misalignment.
- ❑ Compensates for 2° angular error and 1/16 lateral misalignment on push and pull stroke.
- ❑ Greater reliability—reduces cylinder and component wear.
- ❑ Simplifies alignment problems in the field.



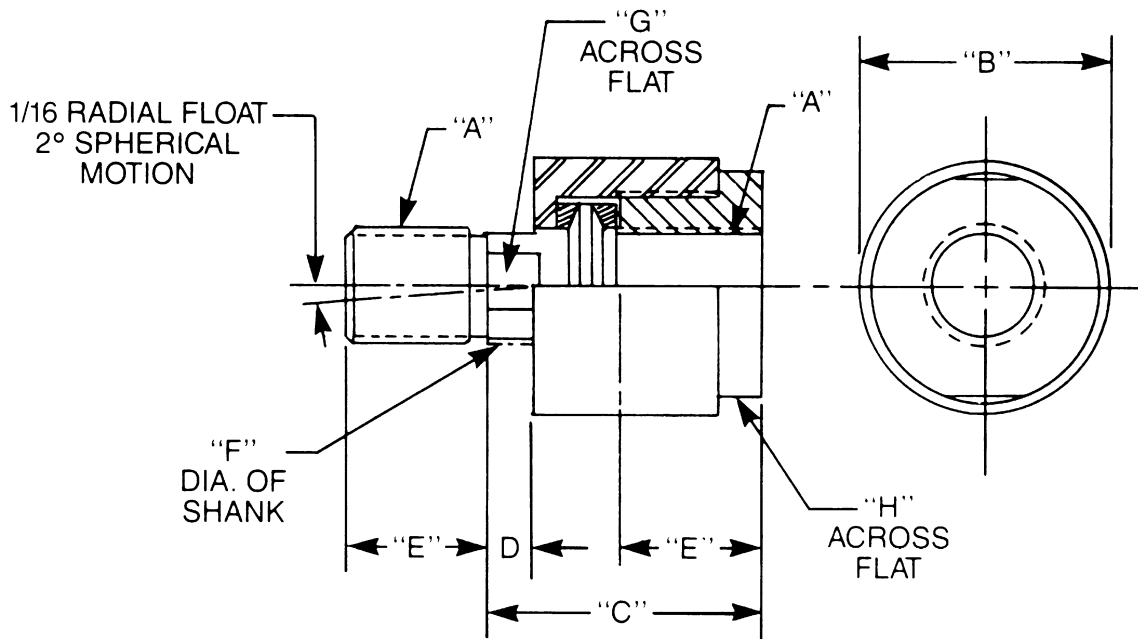
SELF-ALIGNING



(VIEWS EXAGGERATED TO SHOW ALIGNMENT FEATURES)



Self-Aligning Couplers



Click to
download CAD

CAD FILE NAME	PART NUMBER	A	B	C	D	E	F	G	H	MAX. PULL AT YIELD
2DWG 3DWG STP	AC250 EAC-250-F	1/4 - 28	7/8	1-1/4	1/4	5/8	5/16	3/16	13/16	4,000
2DWG 3DWG STP	AC312 EAC-312-F	5/16 - 24	7/8	1-1/4	1/4	5/8	5/16	1/4	13/16	4,000
2DWG 3DWG STP	AC375 EAC-375-F	3/8 - 24	7/8	1-1/4	1/4	5/8	3/8	5/16	13/16	5,000
2DWG 3DWG STP	AC375C EAC-375-C	3/8 - 16	7/8	1-1/4	1/4	5/8	3/8	5/16	13/16	5,000
2DWG 3DWG STP	AC437 EAC-437-F	7/16 - 20	1-1/4	2	1/2	3/4	5/8	9/16	1-1/8	10,000
2DWG 3DWG STP	AC500 EAC-500-F	1/2 - 20	1-1/4	2	1/2	3/4	5/8	9/16	1-1/8	14,000
2DWG 3DWG STP	AC500C EAC-500-C	1/2 - 13	1-1/4	2	1/2	3/4	5/8	9/16	1-1/8	14,000
2DWG 3DWG STP	AC625 EAC-625-F	5/8 - 18	1-1/4	2	1/2	3/4	5/8	1/2	1-1/8	14,000
2DWG 3DWG STP	AC750 EAC-750-F	3/4 - 16	1-3/4	2-5/16	5/16	1-1/8	31/32	7/8	1-1/2	34,000
2DWG 3DWG STP	AC750C EAC-750-C	3/4 - 10	1-3/4	2-5/16	5/16	1-1/8	31/32	7/8	1-1/2	34,000
2DWG 3DWG STP	AC875 EAC-875-F	7/8 - 14	1-3/4	2-5/16	5/16	1-1/8	31/32	7/8	1-1/2	34,000
2DWG 3DWG STP	AC1000 EAC-1000-F	1 - 14	2-1/2	2-15/16	1/2	1-5/8	1-3/8	1-1/4	2-1/4	64,000
2DWG 3DWG STP	AC1000C EAC-1000-C	1 - 8	2-1/2	2-15/16	1/2	1-5/8	1-3/8	1-1/4	2-1/4	64,000
2DWG 3DWG STP	AC1250 EAC-1250-F	1-1/4 - 12	2-1/2	2-15/16	1/2	1-5/8	1-3/8	1-1/4	2-1/4	64,000
2DWG 3DWG STP	AC1375 EAC-1375-F	1-3/8 - 12	2-1/2	2-15/16	1/2	1-5/8	1-3/8	1-1/4	2-1/4	64,000
2DWG 3DWG STP	AC1500 EAC-1500-F	1-1/2 - 12	3-1/4	4-3/8	13/16	2-1/4	1-3/4	1-1/2	3	120,000
2DWG 3DWG STP	AC1750 EAC-1750-F	1-3/4 - 12	3-1/4	4-3/8	13/16	2-1/4	1-3/4	1-1/2	3	120,000
2DWG 3DWG STP	AC1875 EAC-1875-F	1-7/8 - 12	3-3/4	5-7/16	11/16	3	2-1/4	1-7/8	3-1/2	240,000
2DWG 3DWG STP	AC2000 EAC-2000-F	2 - 12	3-3/4	5-7/16	11/16	3	2-1/4	1-7/8	3-1/2	240,000

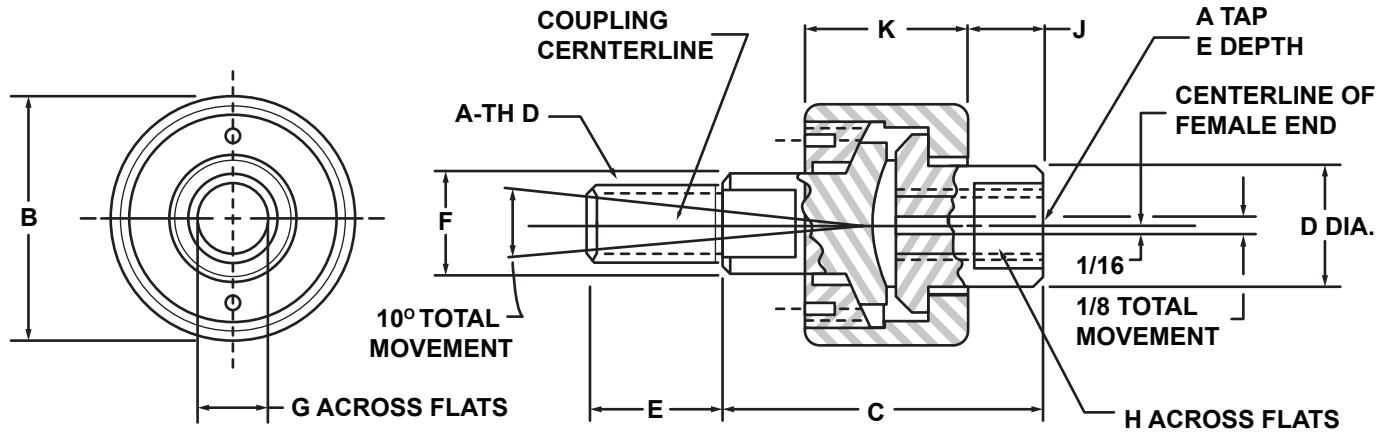
STAINLESS STEEL AVAILABLE IN SOME SIZES.

EXAMPLE: EACS-250-F THROUGH EACS-1000-C

CAD Directory
Cylinder-ACC\Couplers

Cylinder Accessories

Self-Aligning Couplers



PART #	A	B	C	D	E	F	G	H	J	K	MAX RATED LOAD	PULL AT YIELD	WEIGHT (LBS)
EAC-2250-F	2 1/4 - 12	6 3/4	6 3/8	3 1/4	3 1/2	2 3/4	2 3/8	2 7/8	1 5/8	3 3/4	99,250	397,000	35.3
EAC-2500-F	2 1/2 - 12	7	6 1/2	4	3 1/2	3 1/4	2 7/8	3 3/8	1 5/8	3 7/8	123,750	495,000	45.3
EAC-2750-F	2 3/4 - 12	7	6 1/2	4	3 1/2	3 1/4	2 7/8	3 3/8	1 5/8	3 7/8	150,950	803,000	45.3
EAC-3000-F	3 - 12	7	6 1/2	4	3 1/2	3 1/4	2 7/8	3 3/8	1 5/8	3 7/8	180,850	723,400	45.3
EAC-3250-F	3 1/4 - 12	9 1/4	8 1/2	5 1/4	4 1/2	4	3 3/8	4 1/2	2	5 1/2	213,450	853,800	---
EAC-4250-F	4 1/4 - 12	12 7/8	11 1/4	7 3/4	4 1/2	5 1/2	4 7/8	7	1 1/2	8 3/4	370,850	1,483,400	---