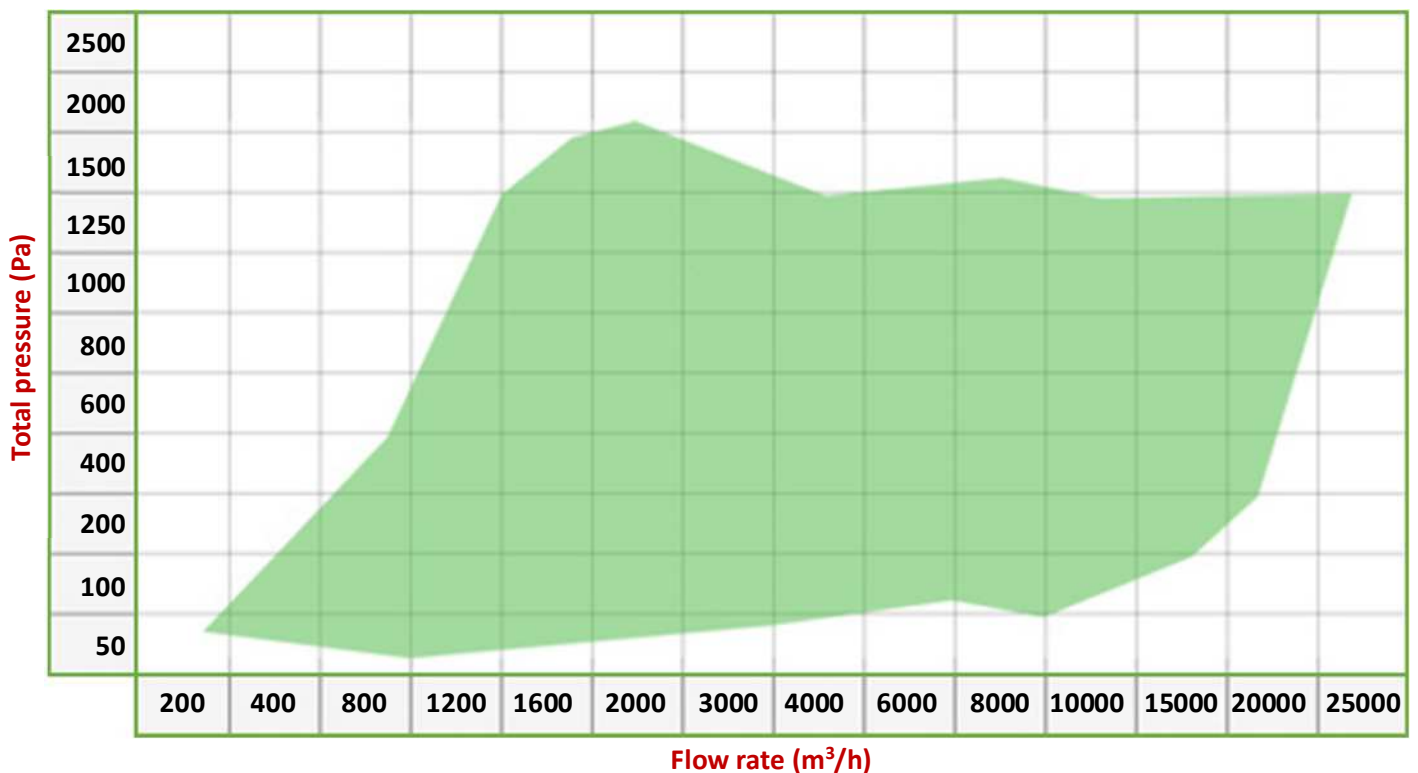
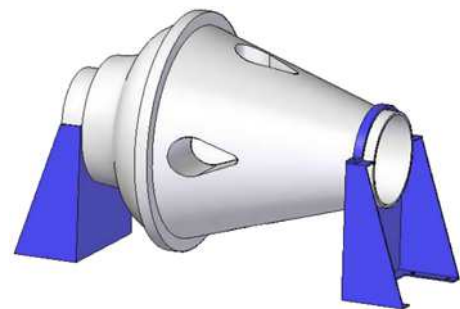


TCVP – ROOF FAN: VERTICAL DISCHARGE

Standard range with plastic housing

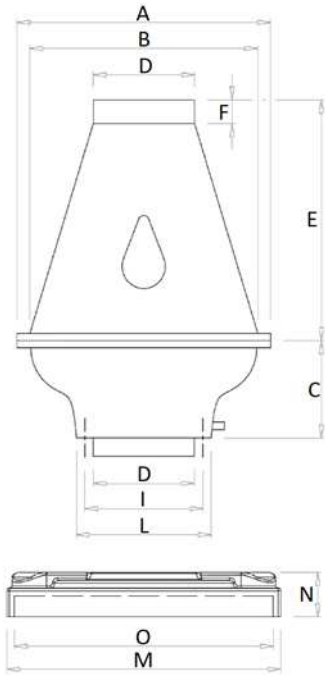
Roof fan with vertical discharge made from plastic, fitted with high-yield backwards inclined blades which make it very energy efficient. The roof fans in the TCV-P series cover a range of flow rates for the ventilation of chemical product storage areas. **For optimal installation, we recommend the option with connection to a switch or external junction box for these fans.**

- Motor polarity: available in 2, 4 and 6 poles
- Housing and cover in polyethylene (PE)
- Polypropylene (PP) impeller
- Flow rate: from 300 to 25000m³/h
- Static pressure: up to 1500Pa
- On request: In-line mounting for duct connections

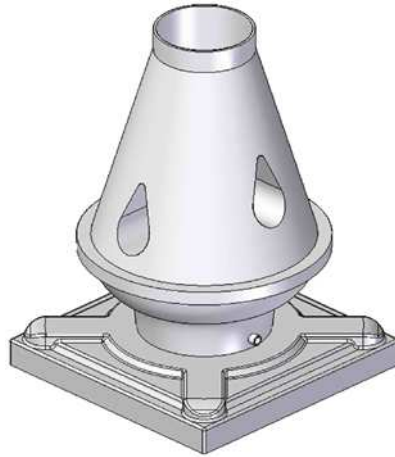


TCVP DIMENSIONS

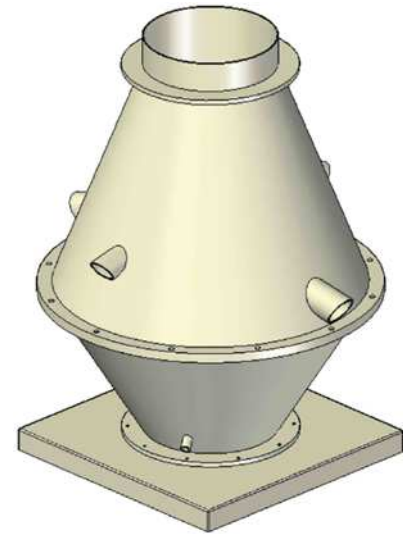
General dimensions



TCVP 200 to 450



TCVP 500 to 800



TCVP ...	HA mm	P. kW	V. rpm	A mm	B mm	C mm	D mm	E mm	F mm	I mm	L mm	M mm	N mm	O mm	Weight mm
TCVP 204	63	0.12	1450	400	350	145	160	420	40	200	240	540	80	490	10
TCVP 202	63	0.18	2850	400	350	145	160	420	40	200	240	540	80	490	10
TCVP 254	63	0.12	1450	500	450	185	200	460	50	230	265	540	80	490	13
TCVP 252	71	0.37	2850	500	450	185	200	460	50	230	265	540	80	490	13
TCVP 314	71	0.25	1450	600	560	240	280	600	50	325	365	540	80	490	26
TCVP 312	90	1.50	2850	600	560	240	280	600	50	325	365	540	80	490	33
TCVP 356	71	0.18	930	600	560	240	280	600	50	325	365	540	80	490	26
TCVP 354	71	0.37	1450	600	560	240	280	600	50	325	365	540	80	490	26
TCVP 352	90	2.20	2850	600	560	240	280	600	50	325	365	540	80	490	35
TCVP 456	80	0.37	930	800	730	280	355	700	50	405	450	750	100	700	40
TCVP 454	90	1.10	1450	800	730	280	355	700	50	405	450	750	100	700	48
TCVP 506	80	0.55	930	1000	900	400	400	700	80	510	550	800	70	750	82
TCVP 504	100	2.20	1450	1000	900	400	400	700	80	510	550	800	70	750	90
TCVP 566	90	1.10	930	1150	1050	430	450	800	80	560	600	900	70	850	150
TCVP 564	112	4.00	1450	1150	1050	430	450	800	80	560	600	900	70	850	160
TCVP 636	112	2.20	930	1300	1200	450	500	900	80	610	650	1000	70	950	180
TCVP 634	132	5.50	1450	1300	1200	450	500	900	80	610	650	1000	70	950	150
TCVP 716	132	4.00	930	1350	1270	500	600	1000	80	710	750	1100	70	1050	150
TCVP 714	160	11.00	1450	1350	1270	500	600	1000	80	710	750	1100	70	1050	180
TCVP 806	160	7.50	930	1600	1500	520	700	1300	80	810	850	1200	70	1150	220

Notes:

*Weights are variable according to the motorization (without ancillaries).