


## Technical data sheet

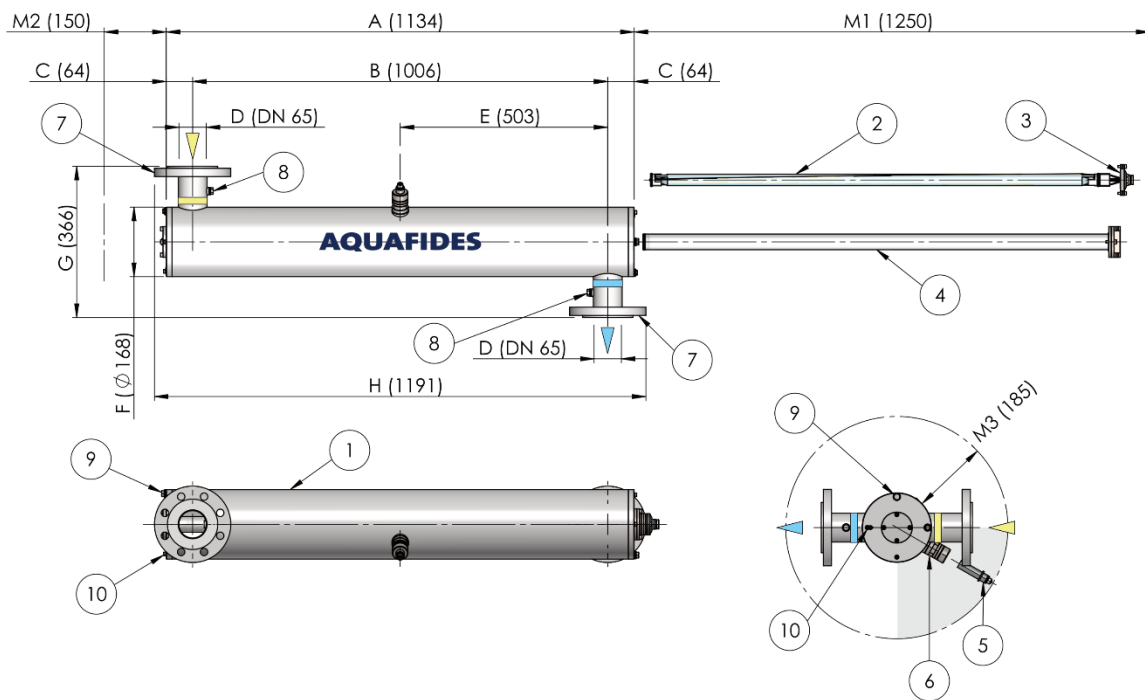
Manufacturer	AQUAFIDES
UV Disinfectionsystem	Single-lamp system
Productfamily	COMPACT
System type	1 AF300 T



### Irradiation chamber

Connection dimension	DN65 (2 1/2")   PN 10/16	shape	Z
Connectionsystem	Loose flange (EN 1092-1 type 02)	Material	
Vent valve and drainage square plug	G 1/4"	DIN EN 10088-3	1.4404
Sampling valve at inlet and outlet	G 1/4"	EN Material designation	X2CrNiMo17-12-2
Socket sensor connection system	COMPACT	AISI	316 L
Mounting thread	1"	B.S.	316S11
Irradiation chamber volume	23,4 l	Surface irradiation chamber	bath pickled
Weight without medium	20,5 kg	Design	Standard
Weight with medium	43,9 kg	Operating pressure (MOP)	PN 10/16   EN 13445-3
Protection class	IP65	Installation position	horizontal, vertical (any)
		Inlet/outlet distance	none
		Interior cleanable without disassembly	☉

## Dimensions



Symbolic representation - No dimensional drawing

A - Length irradiation chamber	1134 mm	M1 - Maintenance area lamp	1250 mm
B - Centre distance inlet/outlet	1006 mm	M2 - Maintenance area	150 mm
C - Centre distance to reactor outer edge	64 mm	M3 - Maintenance area sensor	185 mm
D - Connection dimension	DN65 (2 1/2")		
E - Sensor position	503 mm		
F - Outer diameter irradiation chamber	168 mm		
G - Width irradiation chamber	366 mm		
H - Total length	1191 mm		

Should the maintenance ranges be undershot, please contact AQUAFIDES.

## UV lamp

Manufacturer	AQUAFIDES	Dimmability and control mode	
Number of lamps	1	Power controlled	☉
Lamp type	AF300A	Dimming range power	50
Technology	Low pressure amalgam lamp	Current controlled	-
Amalgamposition	Spot	Guaranteed lamp service life	see GTC
AF-No. lamps	A00300	Expected lamp service life	12000 h
Power consumption (per lamp, including electronic ballast)	270 W	Medium temperature	0 ... 70 °C
UV lamp current (normal operation per lamp)	3,4 A		

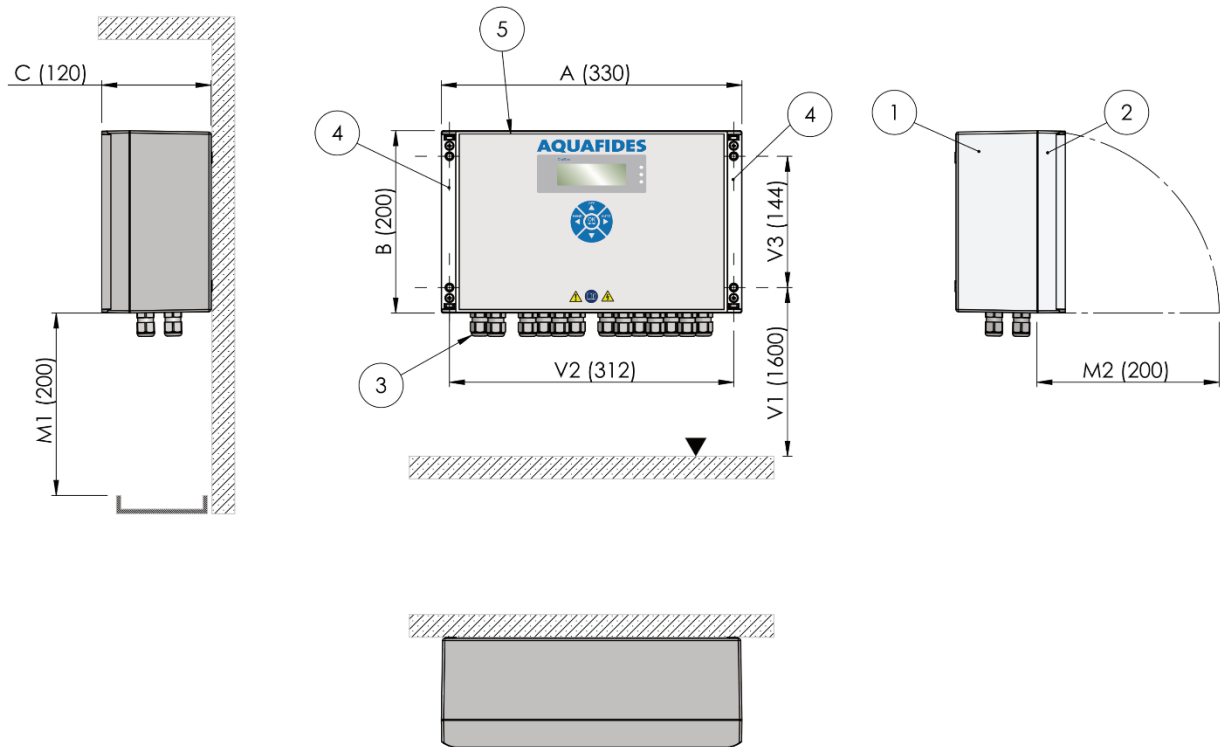
## UV sensor system

Manufacturer	AQUAFIDES	Recalibration period	1 Year
UV sensor type	DigiNorm	System structure	Bus RS485
Article no.	A30000	Operating mode	digital
Number of UV sensors	1	UV Measuring range	2 ... 500 W/m²
Opening angle	160°	Standard signal output (switchable)	0/4 ... 20 mA
Version	ÖNORM M 5873-1:2020, DIN 19294-1:2020	Measuring accuracy	± 2 %
Type-tested	☉	Selectivity - $\lambda_{254}$	≥ 99 %
Calibrated	☉	Temperature stability	0 ... 75 °C
Recalibrated	☉		

## Device cable

Cable type	Lamp cable	Protection class (mounted)	IP68
Article no.	A70020	Cable length	4,3 m
Cable type	UV sensor cable	Protection class (mounted)	IP68
Article no.	A70010	Cable length	5,5 m

## Control cabinet



Symbolic representation - No dimensional drawing

Type	Wallmount enclosures	Installation conditions <sup>2</sup>	
Height	300 mm	Ambient temperature of control cabinet	+1°C ... +35°C
Width	200 mm	Ambient temperature Storage	-20°C ... +60 °C
Depth	120 mm	Humidity	max. 95%
Weight	0 kg	Outdoor installation	-
Material	Die-cast aluminium	Protection class	IP65
Surface colour	RAL7040 Window gray	Thermal management	passive
Surface structure	Structured powder coating		

<sup>2</sup> For details, please refer to the "General installation and operating instructions" (6.2 Permissible ambient conditions).

## Electrical specifications

Operating voltage	210 ... 250 V/AC	External fuse protection	C13
Mains frequency	50 ... 60 Hz	Power factor (normal operation)	0,99 cos $\phi$
Maximum connected load	270 W	EMC tested	●
Nominal connected load	-	Safe to touch	●
Power consumption	1,2 A	Connection cable	
Operating connection	L/N/PE	Length	2m
Internal fuse protection	-	Connector plug	Plug type E+F (CEE 7/7)

191020221659 # MM # V3.7 # TDS\_V1