

FliteTop[®]

Gripper
Chains



PERFORMANCE IN MOTION

Technical characteristics

- "Heavy wall" sintered bushing, impregnated with USDA H1 food approved oil
- Hard plated pin
- Galvanically coated plates and rollers for resistance to mildly aggressive environment

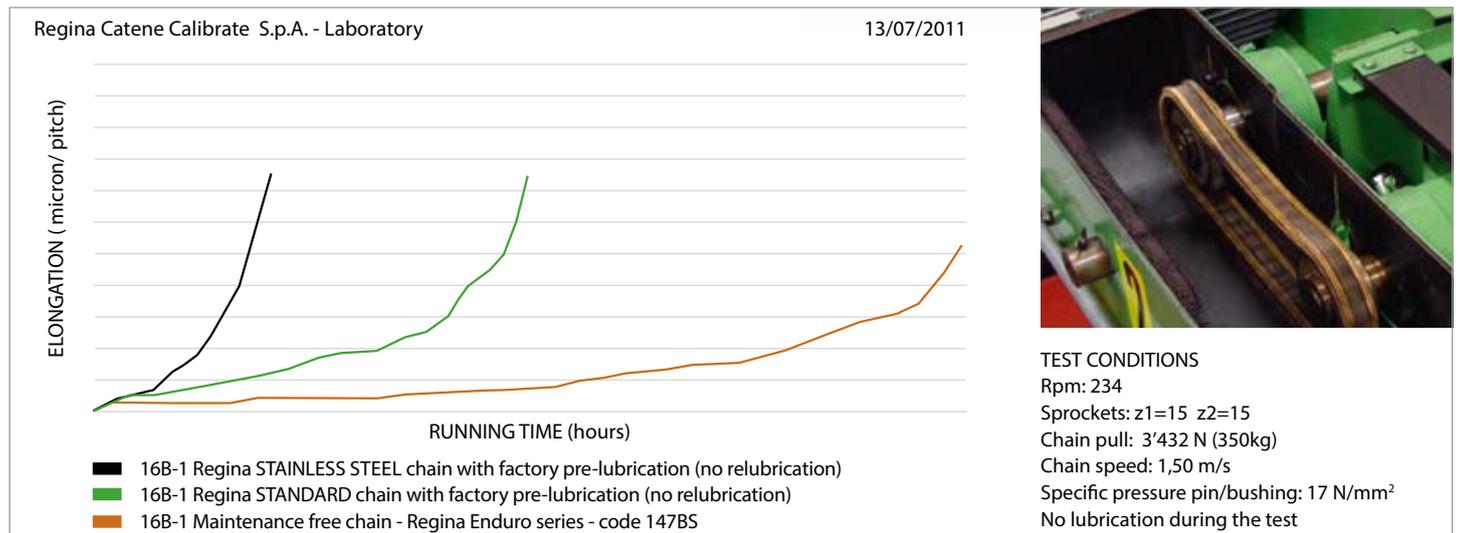


BENEFITS

- DRAMATIC WEAR LIFE INCREASE COMPARED TO STANDARD CHAINS IN UN-LUBRICATED CONDITIONS
- ELIMINATE NEED FOR PERIODIC LUBRICATION
- NO PRODUCT OR EQUIPMENT CONTAMINATION
- RESISTANCE TO CORROSION IN MILDLY AGGRESSIVE ENVIRONMENT
- SAVINGS IN LUBRICATION AND MAINTENANCE COSTS



Comparative wear test - 16B-1 chains with sintered bushings.



Production range

All gripper chains are particularly suitable in the following industries:
Bottling, Food, Glass Mfg., Packaging

SERIES	RUBBER DESIGN	BASE CHAIN MATERIAL	FLIGHT MATERIAL	RUBBER PAD MATERIAL	APPLICATION
1873T Two-Piece (¾"Pitch)	  EW Long Fingers GW Short Fingers   GU U-Shape Fingers GD D-Shape Fingers	  	 	 	<ul style="list-style-type: none"> ■ ELEVATOR ■ LOWERATOR ■ PASS THROUGH CONVEYOR ■ RINSERS AND MORE...
1874T Two-Piece (¾"Pitch)	  EV Long Fingers GV Short Fingers	 	 		
1843T Two-Piece (½"Pitch)	 EW Long Fingers	 			
878T One-Piece (1 ½"Pitch)	  EW Long Fingers GW Short Fingers   GU U-Shape Fingers GD D-Shape Fingers	NO BASE ROLLERS CHAIN			

All the stainless steel base rollers chains are prelubricated with high performance lube suitable for the food industry (USDA H1 approved) which guarantees long-lasting effect for the chain.

Materials

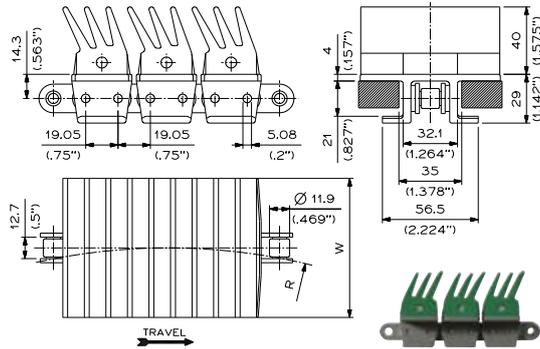
TYPE	DESCRIPTION	FEATURES
STEEL	 Carbon Steel	Through hardened carbon steel. Surface and core hardness of 43 HRC. Excellent strength and wear resistance. Not suitable in presence of water.
	 Austenitic Stainless Steel	Cr-Ni austenitic cold rolled stainless steel. It guarantees the best corrosion resistance to withstand chemical attack. It offers very good wear resistance, due to work hardening and homogeneous chemical structure.
	 Carbon Steel	For base rollers chain. Through hardened carbon steel. Excellent strength and wear resistance.
	 Stainless Steel	For base rollers chain. Stainless Steel for the best corrosion resistance to withstand chemical attack. Prelubricated with high performance lube suitable for the food industry (USDA H1 approved) which guarantees long-lasting effect for the chain.
	 Maintenance free carbon steel	For "lube-free" applications. ENDURO maintenance free chains outlast standard chains without periodic lubrication. The unique technology and "heavy wall" design of the sintered bushing ensures excellent wear resistance.
ACETAL POM	 Special Delrin® Reinforced with Kevlar®	Next generation material, based on a Delrin® acetal resin reinforced with Kevlar®, developed by REGINA and DuPont™, able to reach the lowest coefficient of friction with maximum wear resistance. Thanks to the superior properties of DK2 , the usage of lubricants can be drastically reduced or even eliminated without losing performance in conveyor applications.
	 Ultra Performance Homopolymer Delrin®	DuPont™ Delrin® Ultra Performance special homopolymer acetal resin. Particularly suitable for applications where low coefficient of friction and contained dusting are needed.
RUBBER	 Thermoplastic Rubber	Special Thermoplastic rubber with 50 ShA hardness and optimum wear resistance that guarantees exceptional product grip in elevators/lowerators, extending life without losing elasticity.
	 Heat Stabilized Thermoplastic Rubber	Special Thermoplastic rubber resistant to high temperatures, with 45 ShA hardness, for rinser and cap sterilizer applications.
	 EPDM Rubber	EPDM rubber with hardness of 60 ShA guarantees an excellent grip and high temperature resistance.

1873T Series

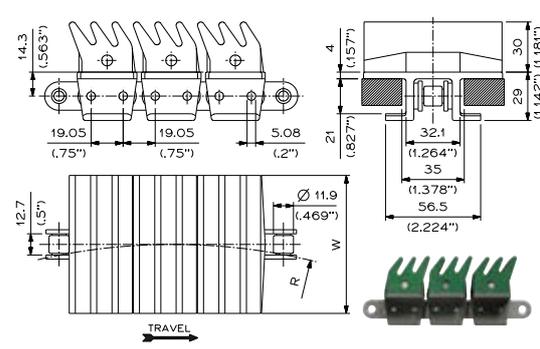
Two-piece gripper chains with plastic flights (3/4" pitch)



EW 1873T (Long Fingers)

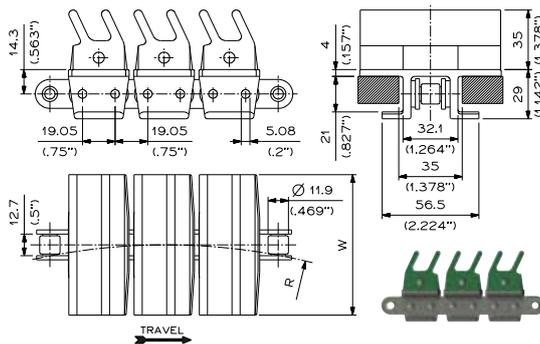


GW 1873T (Short Fingers)

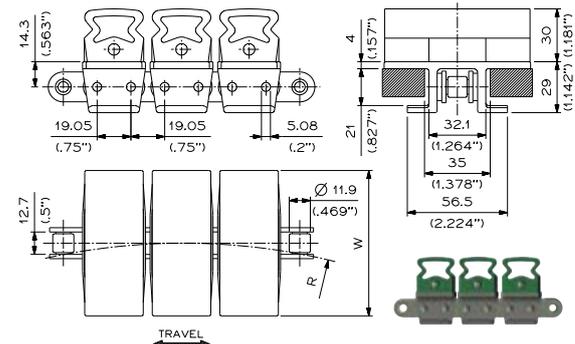


EW 1873T ITEM DESCRIPTION	GW 1873T ITEM DESCRIPTION	WIDTH W		SIDEFLEXING RADIUS R		WORKING LOAD (25°C / 77°F)		BASE CHAIN MATERIAL	FLIGHT MATERIAL	RUBBER MATERIAL
		mm	Inch	mm	Inch	N	lbs			
EW 1873T UP K 3 1/4	GW 1873T UP K 3 1/4	82,6	3.25	355,6	14	4500	1,013			
EW 1873T UP K 4 1/2		114,3	4.50	355,6	14	4500	1,013			
EW 1873T UP SS K 3 1/4	GW 1873T UP SS K 3 1/4	82,6	3.25	355,6	14	3500	788			
EW 1873T UP HS SS K 3 1/4		82,6	3.25	355,6	14	3500	788			
EW 1873T UP SS K 4 1/2		114,3	4.50	355,6	14	3500	788			
EW 1873T UP BS K 3 1/4	GW 1873T UP BS K 3 1/4	82,6	3.25	355,6	14	3500	788			
EW 1873T UP BS K 4 1/2		114,3	4.50	355,6	14	3500	788			
EW 1873T D2K K 3 1/4	GW 1873T D2K K 3 1/4	82,6	3.25	355,6	14	4500	1,013			
EW 1873T D2K K 4 1/2		114,3	4.50	355,6	14	4500	1,013			
EW 1873T D2K SS K 3 1/4	GW 1873T D2K SS K 3 1/4	82,6	3.25	355,6	14	3500	788			
EW 1873T D2K HS SS K 3 1/4		82,6	3.25	355,6	14	3500	788			
EW 1873T D2K SS K 4 1/2		114,3	4.50	355,6	14	3500	788			
EW 1873T D2K BS K 3 1/4	GW 1873T D2K BS K 3 1/4	82,6	3.25	355,6	14	3500	788			
EW 1873T D2K BS K 4 1/2		114,3	4.50	355,6	14	3500	788			

GU 1873T (U-Shape)



GD 1873T (D-Shape)



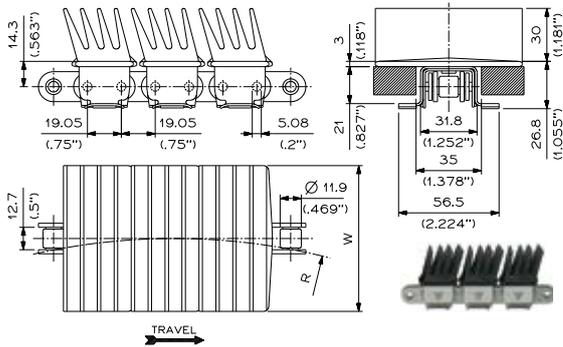
GU 1873T ITEM DESCRIPTION	GD 1873T ITEM DESCRIPTION	WIDTH W		SIDEFLEXING RADIUS R		WORKING LOAD (25°C / 77°F)		BASE CHAIN MATERIAL	FLIGHT MATERIAL	RUBBER MATERIAL
		mm	Inch	mm	Inch	N	lbs			
GU 1873T UP K 3 1/4	GD 1873T UP K 3 1/4	82,6	3.25	355,6	14	4500	1,013			
GU 1873T UP K 4 1/2		114,3	4.50	355,6	14	4500	1,013			
GU 1873T UP SS K 3 1/4	GD 1873T UP SS K 3 1/4	82,6	3.25	355,6	14	3500	788			
GU 1873T UP SS K 4 1/2		114,3	4.50	355,6	14	3500	788			
	GD 1873T UP BS K 3 1/4	82,6	3.25	355,6	14	3500	788			
GU 1873T D2K K 3 1/4	GD 1873T D2K K 3 1/4	82,6	3.25	355,6	14	4500	1,013			
GU 1873T D2K K 4 1/2		114,3	4.50	355,6	14	4500	1,013			
GU 1873T D2K SS K 3 1/4	GD 1873T D2K SS K 3 1/4	82,6	3.25	355,6	14	3500	788			
GU 1873T D2K SS K 4 1/2		114,3	4.50	355,6	14	3500	788			
	GD 1873T D2K BS K 3 1/4	82,6	3.25	355,6	14	3500	788			

1874T Series

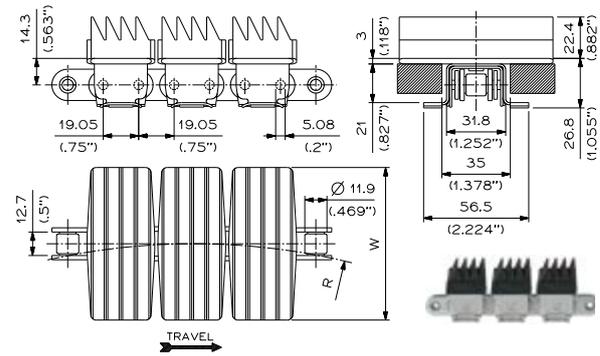
Two piece gripper chains with steel flights (3/4" pitch)



EV 1874T (Long Fingers)



GV 1874T (Short Fingers)



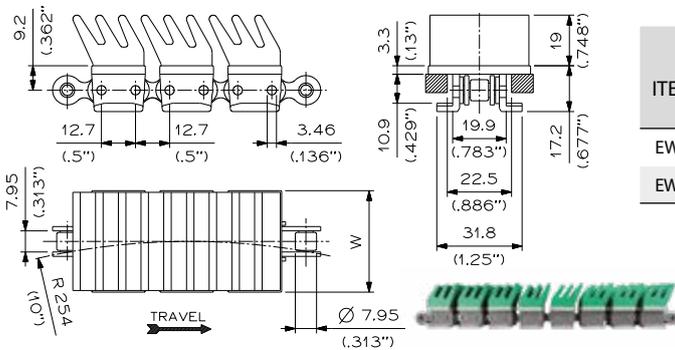
EV 1874T ITEM DESCRIPTION	GV 1874T ITEM DESCRIPTION	WIDTH W		SIDEFLEXING RADIUS R		WORKING LOAD (25°C / 77°F)		BASE CHAIN MATERIAL	FLIGHT MATERIAL	RUBBER MATERIAL
		mm	Inch	mm	Inch	N	lbs			
EV 1874T K 3 ¼	GV 1874T K 3 ¼	82,6	3,25	381,0	15	4500	1,013			EPDM
	GV 1874T K 4 ½	114,3	4,50	381,0	15	4500	1,013			EPDM
EV 1874T SS K 3 ¼	GV 1874T SS K 3 ¼	82,6	3,25	381,0	15	3500	788			EPDM
	GV 1874T SS K 4 ½	114,3	4,50	381,0	15	3500	788			EPDM

1843T Series

Two-piece gripper chains with plastic flights (1/2" pitch)



EW 1843T (Long Fingers)



EW 1843T ITEM DESCRIPTION	WIDTH W		WORKING LOAD (25°C / 77°F)		BASE CHAIN MATERIAL	FLIGHT MATERIAL	RUBBER MATERIAL
	mm	inch	N	lbs			
EW 1843T UP K 1 ½	38,1	1,50	2600	585		UP	TPE
EW 1843T UPSS K 1 ½	38,1	1,50	2000	450		UP	TPE

878T Series

One-piece gripper chains with plastic plates. Reduced sideflexing radius

EW 878T (Long Fingers)



GW 878T (Short Fingers)



GU 878T (U-Shape)



GD 878T (D-Shape)



878T ITEM DESCRIPTION	WIDTH W		SIDEFLEXING RADIUS R		WORKING LOAD (25°C / 77°F)		FLIGHT MATERIAL	RUBBER MATERIAL
	mm	inch	mm	inch	N	lbs		
EW 878T UP K 3 ¼	82,6	3,25	250	9,843	2000	450	UP	TPE
GW 878T UP K 3 ¼	82,6	3,25	250	9,843	2000	450	UP	TPE
GU 878T UP K 3 ¼	82,6	3,25	250	9,843	2000	450	UP	TPE
GD 878T UP K 3 ¼	82,6	3,25	250	9,843	2000	450	UP	TPE



PERFORMANCE IN MOTION

ITALY

REGINA CATENE CALIBRATE S.p.A.
HEAD OFFICE:
Via Monza, 90
23870 Cernusco Lombardone (LC) - Italy
Tel. +39 039 99801
Fax +39 039 9905229
sales@reginachain.net

MEXICO

REGINA de MEXICO S.A. de C.V.
Av. Aviación 5051-28
Col. San Juan de Ocotan
45019 Zapopan, Jalisco – Mexico
Tel. +52 33 3627 4043
Fax +52 33 3627 3930
sales.mx@reginachain.net

ARGENTINA

REGINA INTERNATIONAL S.A.
Diagonal 190,
1788-1655 José Leon Suarez
Prov. Buenos Aires – Argentina
Tel. +54 11 47296667
Fax +54 11 47203210
sales.ar@reginachain.net

USA

REGINA USA, INC.
305 E. Mahn Court
Oak Creek, WI 53154 - USA
Tel. 001 414 5710032
Fax 001 414 5710225
sales.us@reginachain.net

CHINA

REGINA TIANJIN CHAIN & BELT CO., LTD.
Xi Qing Economic Development Area,
Xiang Rui Road n. 17
Tian Xiang Industrial Zone
300385 Tian Jin - China
Tel. +86 22 83961223
Fax +86 22 83961202
sales.cn@reginachain.net

GERMANY

SALES OFFICE
Tel. +49 1705251348
Fax +49 7181489535
sales.de@reginachain.net

THE NETHERLANDS

SALES OFFICE
Tel. +31 610681114
sales.nl@reginachain.net

FRANCE

REGINA INDUSTRIE s.a.r.l.
Z.A.C. des Chatelliers
34 Rue des Frères Lumière
45800 Saint Jean De Braye - France
Tel. +33 238 836363
Fax +33 238 836413
sales.fr@reginachain.net

UNITED KINGDOM

REGINA INTERNATIONAL LIMITED
Unit 1, Dyneley Road,
Greenbank Business Park
Whitebirk, Blackburn,
Lancs BB1 3AB - United Kingdom
Tel. +44 1254 661116
Fax +44 1254 59456
sales.uk@reginachain.net

SPAIN

CADENAS REGINA ESPAÑA, S.L.
Calle Industria, 37
08120 La Llagosta - Barcelona - España
Tel. +34 93 5742838
Fax +34 93 5740735
sales.es@reginachain.net

INDIA

SALES OFFICE
Tel. +91 9881399026
sales.in@reginachain.net



www.reginachain.net