



Style BVSC

Ball Valve

Carbon Steel (ASTM A 216, Grade WCB)

Stainless Steel (ASTM A 351, Grade CF8M)

NPT or Socket Weld Ends

Seal Welded High Pressure Ball Valve

ASME B16.34 Class 900

APPLICATIONS

Industrial and Oil/Gas applications where ASME B16.34 and/or API 608 Class 900 construction are required, especially in piping systems that must be compliant with the ASME B31 Piping Codes. Also, in any application requiring API 607 6th Edition Fire Safe certification or NACE compliance.

CONSTRUCTION

Keckley Style BVSC seal welded ball valves are full ported and constructed in either CF8M or WCB body materials, both with 316ss ball and stem. They benefit from heavier ASME compliant wall thickness in body and tailpiece, and carry full ASME Class 900 pressure ratings. The handle-ball-stem drivetrain complies with API 608 strength and safety factor requirements, as do bore diameters, seat ratings, and electrical grounding of ball and stem.

FEATURES

- Seal Welded Construction
- Fully Compliant to ASME B16.34 Class 900
- Fully Compliant to API 608
- Fully Compliant to API 641 for Fugitive Emissions
- API 607 6th Edition Fire-Safe
- Full Port - All Sizes
- All Models are NACE MR0175 Compliant
- Elongated Packing Gland for Ease of Access When Automated
- Standard ISO Actuator Mounting Pads on All Sizes
- Standard Locking Stainless Steel Handles
- Electrically Grounded Ball and Stem
- Optional PEEK Seats for High Temp Services
- Optional Oval Handles

ORDERING

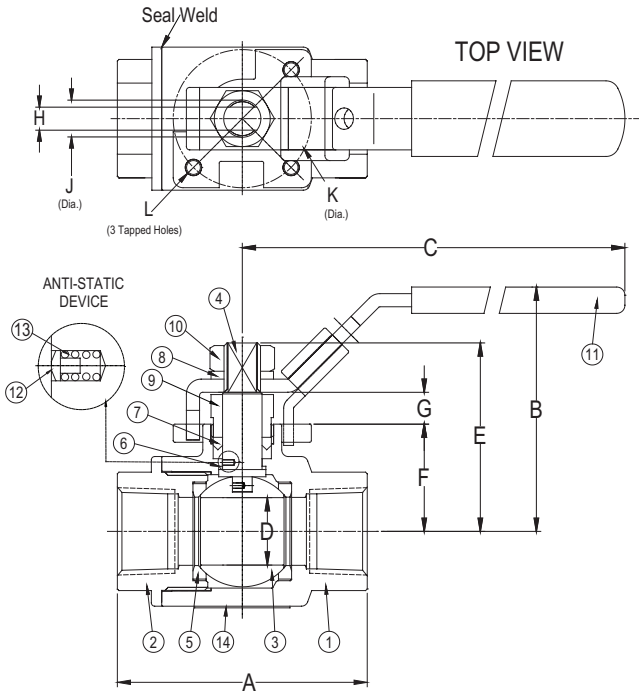
Reference *How to Order BVSC Ball Valves* for building the Keckley Product Number.

WORKING PRESSURES - NON SHOCK

MATERIAL	MEDIA	¼" to 2"	8 mm to 50 mm
ASTM A 216, Grade WCB	W.O.G.	2220 PSI @ 100°F	15306 KPa @ 38°C
MATERIAL	MEDIA	¼" to 2"	8 mm to 50 mm
ASTM A 351, Grade CF8M	W.O.G.	2160 PSI @ 100°F	14893 KPa @ 38°C
MATERIAL	MEDIA	¼" to 2"	8 mm to 50 mm
ASTM A 216, Grade WCB & ASTM A 351, Grade CF8M	Saturated Steam (WSP)	250 PSI @ 406°F	1724 KPa @ 208°F

Note: Optional PEEK Seats WSP is 250 PSIG @ 406°F (1724 KPa @ 208°C)





Style BVSC

Seal Welded High Pressure Ball Valve
NPT or Socket Weld Ends*

PARTS LIST			
ITEM	DESCRIPTION	MATERIAL	
1	Body	A 216 Gr. WCB	A 351 Gr. CF8M
2	Tailpiece	A 216 Gr. WCB	A 351 Gr. CF8M
3	Ball	A 276 Gr. 316	A 276 Gr. 316
4	Stem	A 276 Gr. 316	A 276 Gr. 316
5	Seat (2) [†]	R-PTFE	R-PTFE
6	Thrust Washer	R-PTFE	R-PTFE
7	Stem Packing	Graphite	Graphite
8	Spring Washer	304SS	304SS
9	Packing Gland	A 276 Gr. 316	A 276 Gr. 316
10	Lock Nut	304SS	304SS
11	Handle	300 Series SS	300 Series SS
12	Grounding Pin	316SS	316SS
13	Grounding Spring	304SS	304SS
14	Nameplate	304SS	304SS

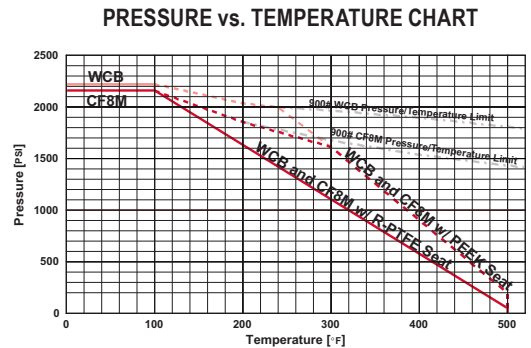
*Note: Socket Weld Wnds require PEEK seats.
†Optional PEEK Seats for High Temp Service are available.

SIZE		DIMENSIONS														WEIGHTS	
		A		B		C		D		E		F		G			
in	mm	in	mm	in	mm	in	mm	in	mm	in	mm	in	mm	in	mm	lbs	kgs
1/4	8	2.7	68.6	2.2	55.9	5.1	129.5	0.43	11.0	1.53	38.86	0.78	19.81	0.35	8.89	1.0	0.5
3/8	10	2.7	68.6	2.2	55.9	5.1	129.5	0.43	11.0	1.53	38.86	0.78	19.81	0.35	8.89	1.0	0.5
1/2	15	2.7	68.6	2.2	55.9	5.1	129.5	0.50	12.7	1.53	38.86	0.78	19.81	0.35	8.89	1.0	0.5
3/4	20	3.0	76.2	2.9	73.7	5.7	144.8	0.81	20.5	2.26	57.40	1.30	33.02	0.37	9.40	2.0	0.9
1	25	3.7	94.0	3.1	78.7	5.7	144.8	1.00	25.4	2.49	63.25	1.47	37.34	0.41	10.41	3.7	1.7
1-1/4	32	4.0	101.6	3.8	96.5	7.3	185.4	1.25	31.8	2.92	74.17	1.77	44.96	0.44	11.18	4.7	2.1
1-1/2	40	4.5	114.3	4.1	104.1	7.8	198.1	1.50	38.1	3.18	80.77	2.02	51.31	0.48	12.19	6.7	3.0
2	50	5.0	127.0	4.6	116.8	7.8	198.1	2.00	50.0	3.64	92.46	2.38	60.45	0.55	13.97	11.1	5.0

Certified dimensional drawings are available upon request.
†This table reflects only the nearest metric equivalents.

SIZE		DIMENSIONS							ISO PATTERN
		H		J		K		L	
in	mm	in	mm	in	mm	in	mm	in	
1/4	8	0.20	5.08	0.31	7.87	1.42	36.0	1/4"-20 UNC	
3/8	10	0.20	5.08	0.31	7.87	1.42	36.0	1/4"-20 UNC	
1/2	15	0.20	5.08	0.31	7.87	1.42	36.0	1/4"-20 UNC	
3/4	20	0.28	7.11	0.44	11.18	1.65	42.0	1/4"-20 UNC	
1	25	0.28	7.11	0.44	11.18	1.65	42.0	1/4"-20 UNC	
1-1/4	32	0.35	8.89	0.56	14.22	1.97	50.0	1/4"-20 UNC	
1-1/2	40	0.35	8.89	0.56	14.22	1.97	50.0	1/4"-20 UNC	
2	50	0.35	8.89	0.56	14.22	1.97	50.0	1/4"-20 UNC	

Certified dimensional drawings are available upon request.
†This table reflects only the nearest metric equivalents.



FLOW COEFFICIENTS

Size	C _v	Size	C _v	Size	C _v
1/4"	10	3/4"	32	1-1/2"	140
3/8"	10	1"	62	2"	365
1/2"	18	1-1/4"	115		

MAX TORQUE

Size	in/lb	Size	in/lb	Size	in/lb
1/4"	50	3/4"	120	1-1/2"	400
3/8"	50	1"	180	2"	600
1/2"	75	1-1/4"	300		