

PROJECT: \_\_\_\_\_ FIRM: \_\_\_\_\_ ORDER #: \_\_\_\_\_ TYPE: \_\_\_\_\_ QTY: \_\_\_\_\_



Part of the extensive **Linear One®** family, these attractive aluminum-bodied, natorium-ready (IP66) linear fixtures are available in 1' and 4' lengths and are easily interconnected in series to simplify installation.

Flexibility is key, with a wide choice of configuration combinations, including: multiple emitter types, a full range of TIR optics, plus glare shields and louvers. All of which are fulfilled through our **Acclaim Modular** system in Los Angeles to ensure industry-leading delivery times.

Smooth single-channel dimming is delivered under 0-10V control. The internal auto-sensing power supply within each unit can accept mains inputs between 100 to 277VAC at 50 or 60Hz.

## AT A GLANCE

### Optics

10° x 10°  
10° x 25°  
10° x 40°  
10 x 60°  
30° x 30°  
30° x 60°  
40° x 10°  
45° x 75°  
60° x 10°  
60° x 30°  
60° x 60°  
90° x 10°  
100° x 100°

Batwing 10° x 40°  
Batwing 40° x 70°  
60° x 60° + 20° tilt

### Emitters

**CCT whites**

2100K or 2400K or 2700K or 3000K or 3500K or 4000K

**Saturates**

Red or Green or Blue or Amber

### Power

100 to 277VAC  
50/60Hz

### Temperature

-40° F to 131° F  
-40° C to 55° C

### Protection

Ingress: **IP66**  
Impact: **IK10**  
Vibration: **3G**

### Output

Up to **788 lumens** per linear foot

### Control

0-10V

### Core technologies

ACCLAIMMODULAR SYSTEMS

bin·one

## CONFIGURE YOUR PRODUCT

LN -COL -OPT

Example final code: **LNED-COLH-OPTK**

**Power (/ ft):**  
E = HO 12W  
G = SO 8W\*  
J = EO 4W

**Length:**  
A = 1' (305mm)  
D = 4' (1220mm)

**Emitters:**  
A = 2700K, 80 CRI  
C = 3000K, 80 CRI  
D = 3500K, 80 CRI  
E = 4000K, 80 CRI  
F = 2700K, 90 CRI  
G = 3000K, 90 CRI  
H = 3500K, 90 CRI  
J = 4000K, 90 CRI  
K = Red  
L = Green  
M = Blue  
N = Amber  
P = 2100K, 70 CRI  
S = 2400K, 70 CRI




**Optics:**  
C = 10° x 10°  
G = 30° x 30°  
I = 40° x 10°  
J = 60° x 10°  
K = 60° x 60°  
L = 100° x 100°  
M = 10° x 40°  
N = 10° x 25°  
R = 10° x 60°  
Q = 30° x 60°  
S = 45° x 75°  
Y = 60° x 30°  
Z = 90° x 10°  
T = Asym. Wall Wash Left (60° x 60° + 20° tilt)  
U = Asym. Wall Wash Right (60° x 60° + 20° tilt)  
V = Batwing (split 10° x 40°)  
W = Batwing (split 40° x 70°)



Optic options T and U: Tilt directions as viewed from the input end of the fixture  
\* indicates special order items, which may require longer lead times

PROJECT	FIRM	ORDER #	TYPE	QTY
---------	------	---------	------	-----

## SPECIFICATIONS

<b>Emitters</b>	2100K, 2400K, 2700K, 3000K, 3500K, 4000K, Red, Green, Blue, Amber
<b>Optics</b>	10° x 10°, 10° x 25°, 10° x 40°, 10° x 60°, 30° x 30°, 30° x 60°, 40° x 10°, 45° x 75°, 60° x 10°, 60° x 30°, 60° x 60°, 90° x 10°, 100° x 100°, Asymmetric Wall Wash: Left or Right - <i>as viewed from the input end</i> (60° x 60° + 20° tilt), Batwing (split 10° x 40° or 40° x 70°)
<b>Lumen maintenance</b>	L <sub>70</sub> 150,000 hours (@ 25° C)
<b>Control</b>	0-100% dimming via internal 0-10V driver; maximum 300' (91m) 0-10V cable run (18AWG)
<b>Maximum fixtures in series</b>	80 linear feet (24m). <i>See page 9</i>
<b>Housing lengths</b>	1' (305mm) or 4' (1220mm)
<b>Operating voltage</b>	100-277VAC, 50/60 Hz
<b>Power consumption</b>	<b>HO:</b> 1': 12W, 4': 48W, <b>SO:</b> 1': 8W, 4': 32W, <b>EO:</b> 1': 4W, 4': 16W
<b>Fixture connectors</b>	IP66 end-to-end multi-pin connection cables included
<b>Mounting</b>	90° swivel mounting brackets included, flat mounting brackets optional
<b>Material</b>	Aluminum body - Type III hard-coat anodized, polycarbonate lenses
<b>Finish</b>	Silver / finished aluminum, marine and natatorium environment capability standard
<b>Ambient operating temp.</b>	-40° F to 131° F (-40° C to 55° C)
<b>Ingress protection</b>	IP66, wet location - marine environment housing standard
<b>Impact protection</b>	IK10, protection against 20 joule impact (40cm distance)
<b>Vibration protection</b>	ANSI C136.31, 3G-rated for high vibration and bridge applications
<b>Warranty</b>	5 years, limited
<b>Weight</b>	1': 2.4 lbs (1.1kg), 4': 9.7 lbs (4.4kg)
<b>Dimensions</b>	<b>LxWxH:</b> 12" or 48" x 2.12" x 3.39" (305 or 1220 x 54 x 86mm). <i>See also page 5</i>
<b>Certifications</b>	  

## PHOTOMETRICS

For all available IES files, please visit [acclaimlighting.com/linear-one-exterior](http://acclaimlighting.com/linear-one-exterior)

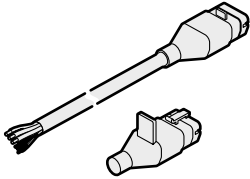
Color temperature	Lumens (/ft)	Max Candela	Efficacy (lm/W)	CRI	TM30
2700K (HO - 12W/ft)	739	5,643	63	81.1	81.2
3000K (HO - 12W/ft)	788	6,291	67	82.8	81.3
3500K (HO - 12W/ft)	772	5,897	66	84.3	82.6
4000K (HO - 12W/ft)	770	5,790	65	85.4	83.2
2700K (EO - 4W/ft)	252	1,881	63	80.1	80.2
3000K (EO - 4W/ft)	268	2,097	67	82.3	81.1
3500K (EO - 4W/ft)	264	1,965	66	84.4	82.7
4000K (EO - 4W/ft)	260	1,930	65	85.3	84.2

PROJECT  FIRM  ORDER #  TYPE  QTY

## RELATED COMPONENTS

### Cable and connectors

#### Feed cables and end cap (required)



##### **LNFC10**

10' Feed Cable

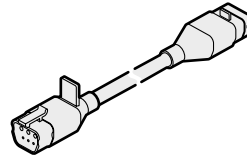
*Multi-pin connector to bare wire AC + 0-10V*

##### **LNFC50**

50' Feed Cable

*Multi-pin connector to bare wire AC + 0-10V*

#### Link cables (optional)



##### **LNLC0**

6" Link Cable

*Multi-pin connector to multi-pin connector, use for curved runs*

##### **LNLC1**

1' Link Cable

*Multi-pin connector to multi-pin connector*

##### **LNLC5**

5' Link Cable

*Multi-pin connector to multi-pin connector*

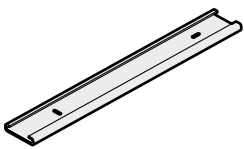
##### **LNLC10**

10' Link Cable

*Multi-pin connector to multi-pin connector*

### Mounting accessories

#### Tracks



##### **LNMT1**

1' mounting track

*Aluminum profile, screws not included*

##### **LNMT4**

4' mounting track

*Aluminum profile, screws not included*

#### Flat brackets

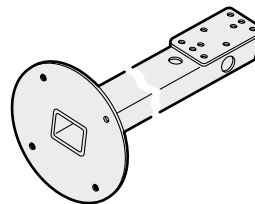


##### **LNFBM**

Flat Mounting Bracket

*2 pcs required per fixture, factory fitted option*

#### Extender bars



##### **LNEB0.5**

6" extender bar

*Aluminum body, mounting screws included*

##### **LNEB1**

1' extender bar

*Aluminum body, mounting screws included*

##### **LNEB2**

2' extender bar

*Aluminum body, mounting screws included*

##### **LNEB3**

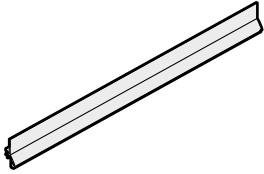
3' extender bar

*Aluminum body, mounting screws included*

## RELATED COMPONENTS

### Beam accessories

#### Glare shields

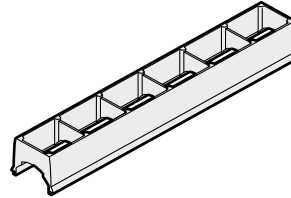
**LNEGS1**

1' single-sided glare shield

**LNEGS4**

4' single-sided glare shield

#### Louvers

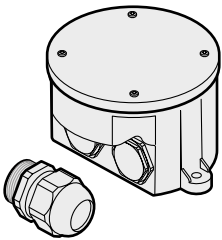
**LNELV1**

1' full louver

*(use 4 pcs. for 4' fixtures)*

### Control accessories

#### Junction box

**AJBOX1**

IP66 NEC compliant high+low voltage junction box

*1/2" conduit inputs for AC + 0-10V, 3/4" conduit for LNFC##*

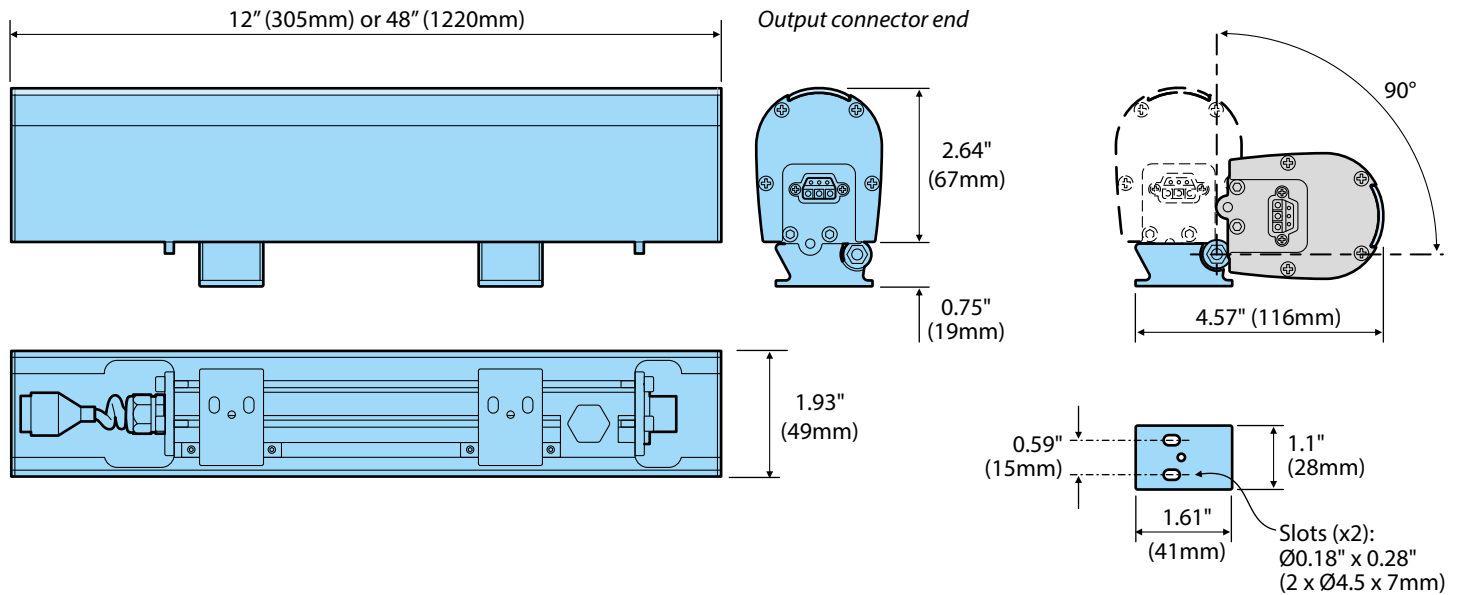
*Built-in AC surge protection up to 10kV & 10kA*



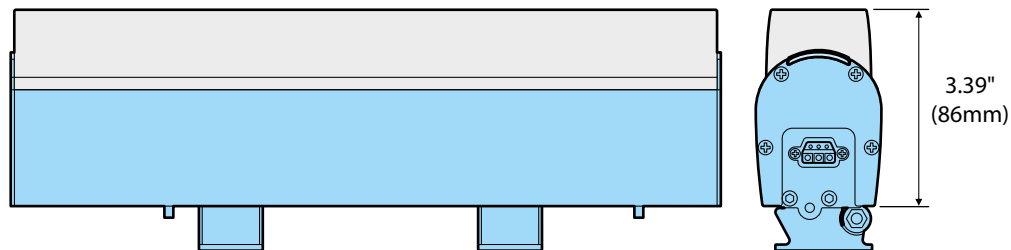
SCAN  
FOR  
PRODUCT  
PAGE

PROJECT \_\_\_\_\_ FIRM \_\_\_\_\_ ORDER # \_\_\_\_\_ TYPE \_\_\_\_\_ QTY \_\_\_\_\_

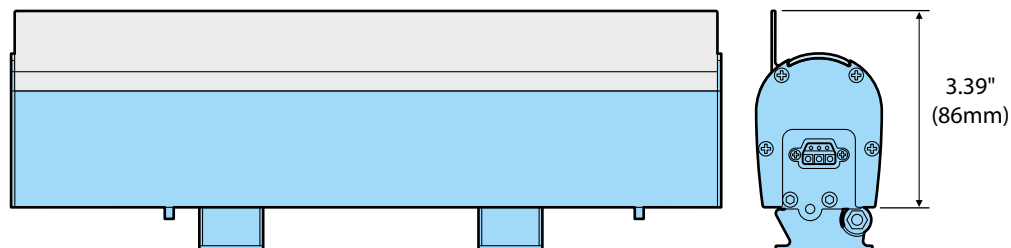
## DIMENSIONS



### With louver fitted



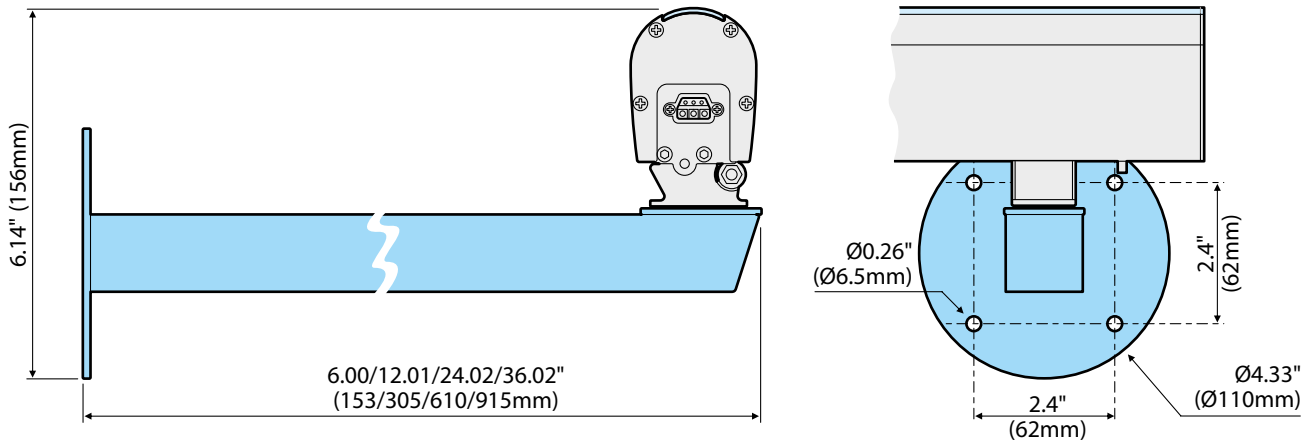
### With glare shield fitted



PROJECT: \_\_\_\_\_ FIRM: \_\_\_\_\_ ORDER #: \_\_\_\_\_ TYPE: \_\_\_\_\_ QTY: \_\_\_\_\_

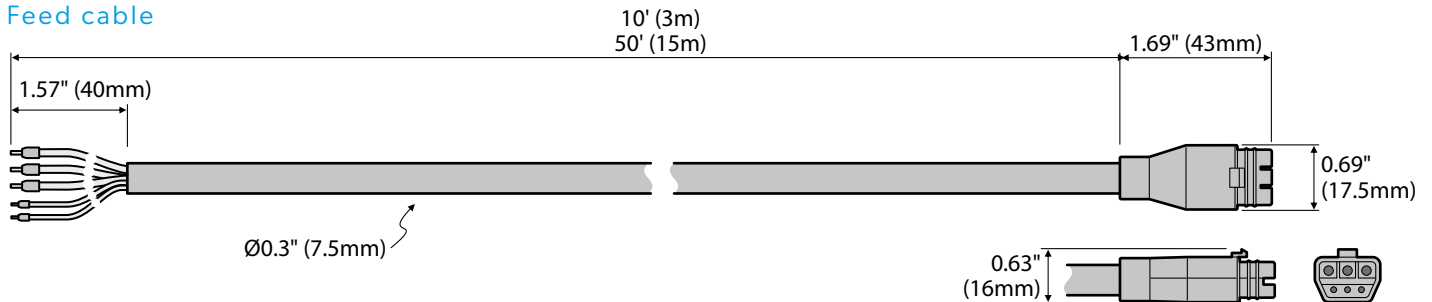
## DIMENSIONS

### Optional extender bars

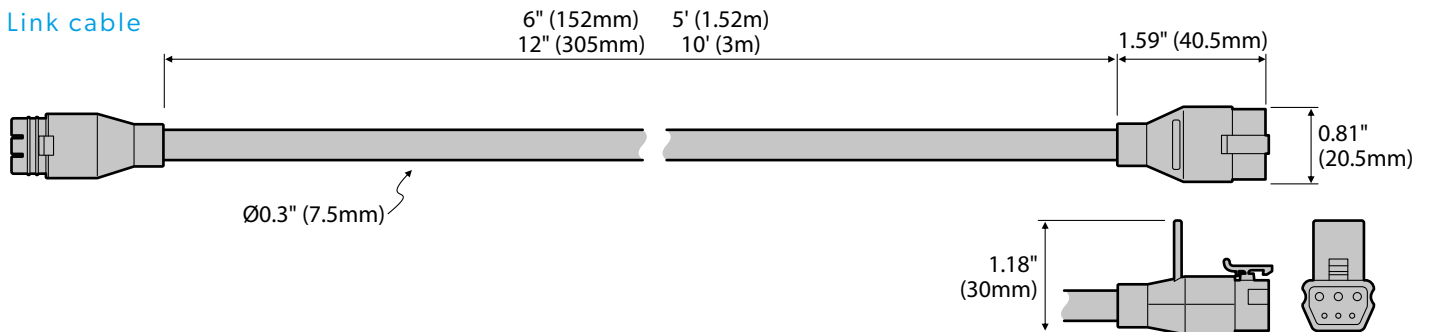


### Cables

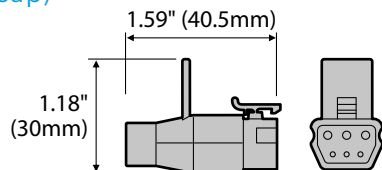
#### Feed cable



#### Link cable



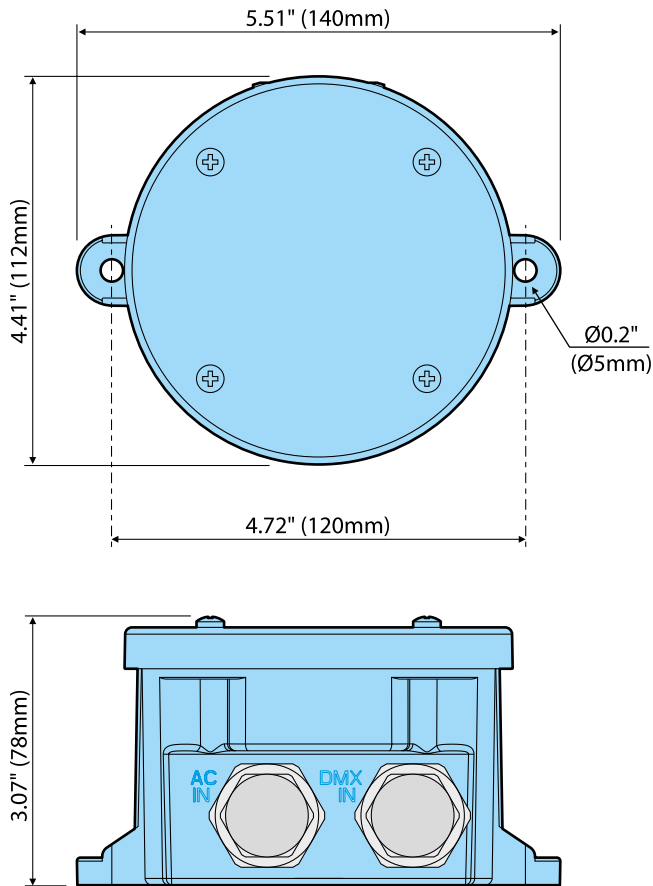
#### Terminator (end cap)



PROJECT	FIRM	ORDER #	TYPE	QTY
---------	------	---------	------	-----

## DIMENSIONS

### AJBOX1

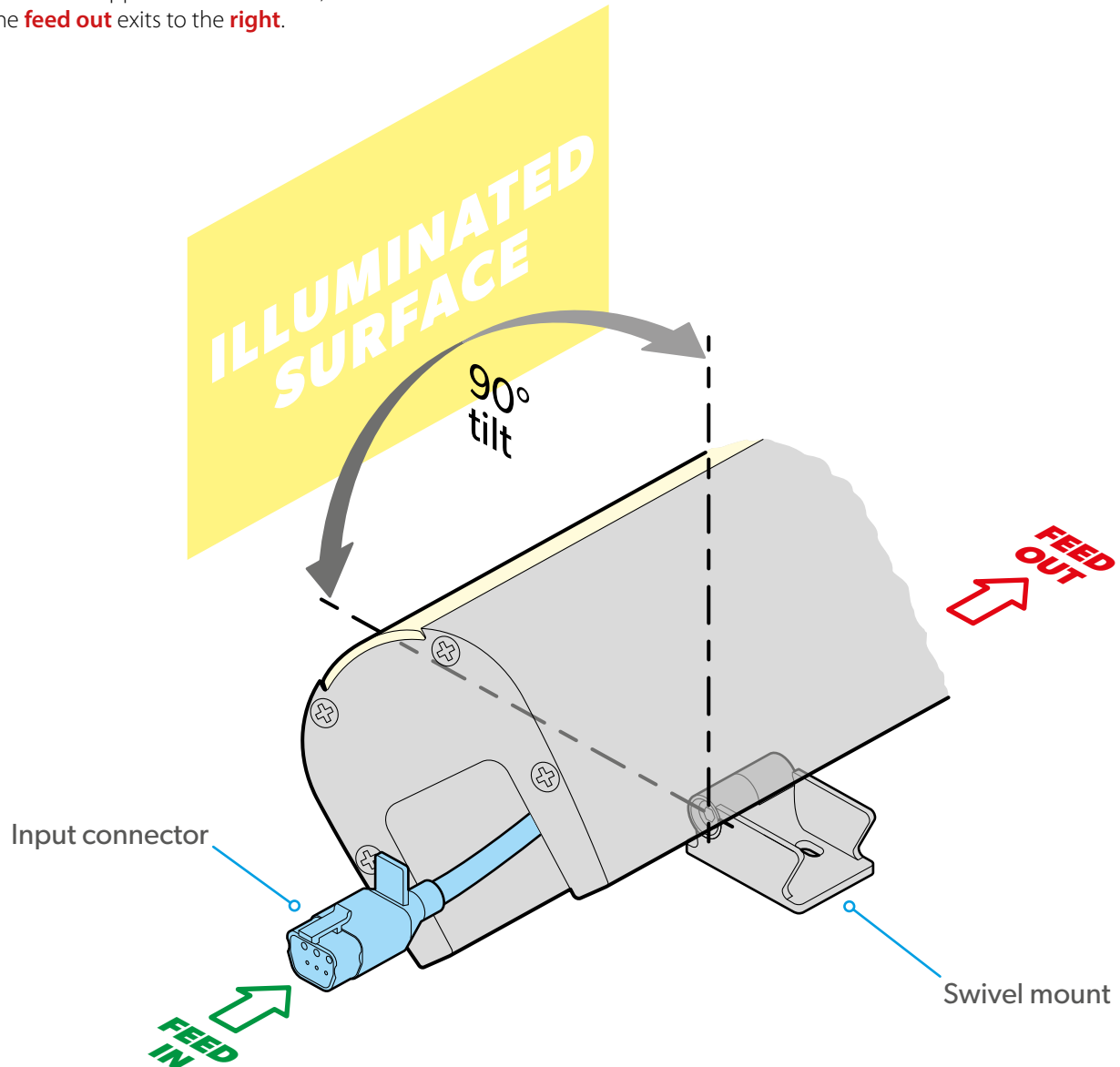


PROJECT	FIRM	ORDER #	TYPE	QTY
---------	------	---------	------	-----

## SWIVEL AND FEED DIRECTIONS

The swivel mounts on the fixture offer a full 90 degrees of rotation - in one direction only. When planning installations that require the fixtures to be tilted, it is important to correctly arrange the input and output connections:

- When facing the illuminated surface, the **feed in** must approach from the **left**, while the **feed out** exits to the **right**.



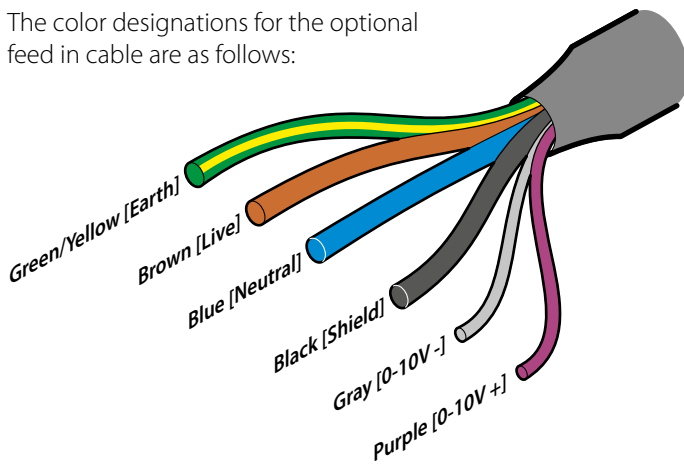


PROJECT \_\_\_\_\_ FIRM \_\_\_\_\_ ORDER # \_\_\_\_\_ TYPE \_\_\_\_\_ QTY \_\_\_\_\_

## POWER AND CONTROL WIRING

Power and control are combined within IP66-rated cables. Input and output connectors are proprietary six pin designs; with a male input connector located at one end of the fixture and a female output connector at the other. Connector placements are such that abutted units can be directly connected without need for additional cables.

The color designations for the optional feed in cable are as follows:



Power cores: AWG 18 / 1.02mm<sup>2</sup>

Signal cores: AWG 26 / 0.13mm<sup>2</sup>

### Power

The fixture power requirements are as follows:

- Voltage: 100-277VAC 50/60Hz
- Power:
 

	HO	SO	EO
1' models:	12W	8W	4W
4' models:	48W	32W	16W

*Note: Acclaim recommends taking proper precautions for external surge protection, as control and power electronics can be damaged by major events. Ensure that the mains power is supplied from a suitably protected source and initial connections are made within IP rated enclosures.*

For full installation details, please refer to the **user guide**, available for free download here:

## RUN LENGTHS

Fixture runs (of all power models: HO/SO/EO) should not exceed 80' (24m). Maximum total lengths of all feed and link cables are determined by the power models and the mains supply voltage.

