

Safety Valves

ASME Section I and VIII - NB Certified for Air/Gas and Steam

SIZES FROM 1/2" TO 2 1/2"
RATED TO 300 PSI
TEMPERATURES TO 425°F

SERIES 560



SERIES 560



Aquatrol's Series 560/570 valve line is a high capacity safety valve used for boilers, piping lines and vessel protection. Designed and engineered for heavy-duty industrial use. ASME approved and National Board flow-rated for capacity.

Series 560

Use for ASME Section I applications to pressure ratings of 250 PSI. {V} and {NB} stamped for fired vessels. Boilers, or most areas where steam safety valves are required.

Series 570

Use for ASME Section VIII applications to pressure ratings of 300 PSI. {UV} and {NB} stamped for unfired vessel protection. Used for many applications to protect or relieve pressure for Air, Gas or Steam.

Series 563-573

Stainless steel whetted trimming.

Usages: Steam Boilers, Air Compressors, Dryers, Receivers, Pressure Vessels, Piping Systems, Accumulators, Reducing Stations, Tanks, Inter/After Coolers, Cooking Equipment, Autoclaves, Sterilizers or wherever higher capacity pressure protection or relief may be required.

- Features:**
- Designed for durability
 - 6 orifices – 12 sizes of piping options
 - Top guided seating and discharge
 - Full nozzle; high capacity levels
 - Excellent re-seating characteristics with pivoting ball-post design
 - Short, tuned blow-down and can be adjusted with double heavy ring
 - Heavy duty hood and lever mechanism
 - Standard 17-7 stainless steel springs

- Options:**
- Stainless steel trimming package nozzle (body), disk (all sizes)
 - O-ring seating. (PTFE, EPDM, Viton, or as specified)
 - Bubble tight seating options
 - Anti vibrating spring for lift lever
 - BSPT pipe threading



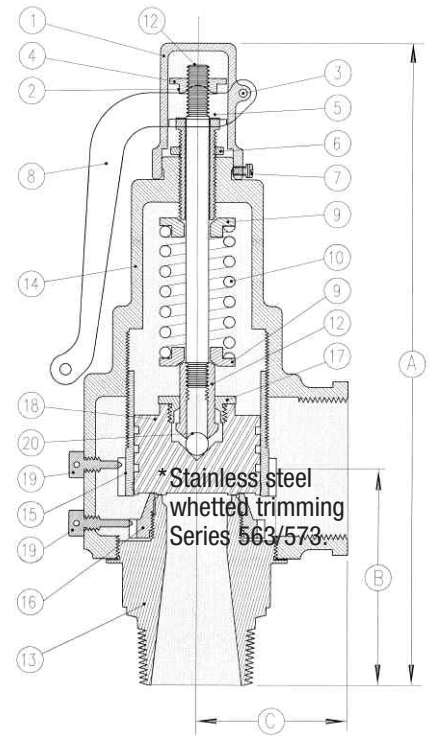
Ordering Information: **Example: 560DC-MA250**

Series 560 - (brass/bronze body)	DC - (D orifice – C piping size 1/2" x 3/4")
M - (metal to metal seating)	A - (Section I Steam)
P - (packed lift lever)	250 - (set pressure PSI)

Series – Nozzle / Metals / Trims	Orifice / Piping size	Seating	Service ID	Variation
560/570 – Brass / Bronze	DC	M - Metal to metal	A - Section I Steam	B - BSPT x BSPT Connection
563/576 – Brass / Stainless	DD	E - EPDM V - Viton	K - Section VIII Air/Gas	C - Polished Chrome Plating
	ED	B - Buna P - PTFE	L - Section VIII Steam	O - Oxygen Cleaning
	EE thru JJ			P - Packed Lift Lever

MAX TEMP BRASS BRONZE 406°F

PARTS IDENTIFICATION & MATERIALS			
ITEM	DESCRIPTION	SERIES 570	SERIES 573
1	HOOD	BRONZE	BRONZE
2	COTTER PIN	STEEL	STEEL
3	LIFT LEVER PIN	BRASS	BRASS
4	LIFTER NUT	BRASS	BRASS
5	PRESSURE SCREW	BRASS	BRASS
6	LOCK NUT	BRASS	BRASS
7	HOOD SCREW	BRASS	BRASS
8	LIFT LEVER	BRONZE	BRONZE
9	SPRING PLATE	BRASS	BRASS
10	SPRING	SS-316 OR 17-7	SS-316 OR 17-7
11	NAMEPLATE	ALUMINUM	ALUMINUM
12	SPRING POST	BRASS	BRASS
13	BODY (NOZZLE)	BRASS/BRONZE	SS-316
14	BONNET	BRONZE	BRONZE
15	UPPER RING	BRONZE	BRONZE
16	LOWER RING	BRONZE	BRONZE
17	DISC NUT	BRASS	BRASS
18	DISC	BRASS	SS-316
19	REGULATOR SCREW	BRASS	BRASS
20	SWIVEL BEARING	SS-316	SS-316



SERIES 560/570 - Dimensions / Air-Gas-Steam

SERIES	FLOW AREA	FLOW AREA	INLET (in)	OUTLET (in)	SIZE I.D.	-----DIMENSIONS-----			WEIGHT LB
						A	B	C	
560	D	0.125	1/2"	3/4"	C	7 3/8"	2 1/2"	1 1/2"	1.9
560	D	0.125	3/4"	3/4"	D	7 3/8"	2 1/2"	1 1/2"	2.2
560	E	0.221	3/4"	1"	D	7 5/8"	2 1/2"	1 5/8"	2.8
560	E	0.221	1"	1"	E	7 5/8"	2 1/2"	1 5/8"	3.0
560	F	0.352	1"	1 1/4"	E	8 3/4"	2 7/8"	1 3/4"	4.0
560	F	0.352	1 1/4"	1 1/4"	F	8 3/4"	2 7/8"	1 3/4"	4.2
560	G	0.567	1 1/4"	1 1/2"	F	9 5/8"	3 1/4"	2 1/4"	6.7
560	G	0.567	1 1/2"	1 1/2"	G	9 5/8"	3 1/4"	2 1/4"	6.9
560	H	0.899	1 1/2"	2"	G	9 3/4"	3 5/8"	2 1/2"	11.4
560	H	0.899	2"	2"	H	11"	3 5/8"	2 1/2"	11.6
560	J	1.463	2"	2 1/2"	H	11"	3 7/8"	3 1/8"	15.6
560	J	1.463	2 1/2"	2 1/2"	J	12 1/2v	3 7/8"	3 1/8"	16.3

Metric Equivalents: Centimeters = Inches x 2.540 Kg = Lbs x .4536

*Size I.D. Note New Identification.

Metal	ASTM
Brass	SB16/SB62/SB584
SS	SA-479-S31603

Seating Options	Temp	Max PSI
Br/Bronze	406°F	300
Stainless	450°F	300
Viton	400°F	300
EPDM	212°F	300
PTFE	500°F	300

Metal Make-Up, Pressure & Temperature Maximims			
Series	Metals	Temp	Max PSI
570	Br/Bronze	406°F	300
573	SS/Bronze	450°F	300
560	Br/Bronze	406°F	300
563	SS/Bronze	425°F	300

Max PSI for steam service is 300
Cryogenic compatible