



***SSP***  
***OPEN IMPELLER***  
***CENTRIFUGAL PUMP***



**AMERICAN STAINLESS PUMPS, INC.**  
Stainless Steel Pumps for the Commercial Marketplace

The pump model SSP is the open impeller version of our original six inch stainless pump. Open impellers are designed for pumping liquids that may be mixed with solids. Because open impellers do not have a front shroud, they are less likely to clog when pumping liquids containing stringy or fibrous materials. Many customers in dish machine or part washer applications require the use of pumps with open impellers in their equipment.



## Characteristics

The SSP is a single stage, centerline discharge, open impeller centrifugal pump. The pump is fabricated of 304 Stainless Steel and close coupled to an electric motor. The SSP relies upon a mechanical seal to prevent leakage around the motor shaft, and an o-ring to seal the casing to the sealplate. Seal and o-ring materials are available to suit most applications. A 1/8" NPT drain is plugged at the bottom of the casing. A number of mounting configurations are available for ease of installation.

## Advantages

The SSP was designed to provide users the benefits of stainless steel at the price of a cast iron pump. Our suction and discharge nozzles are machined from stainless pipe and provide reliable and strong leak free connections. The pump casing is built to support the weight of the pump and motor in vertical mounting if desired, as well as to allow air to easily vent from the pump. Both open and enclosed impellers can be interchanged in the same casing.

## Specifications

- Flows to 170 gal/min and Heads up to 70 feet.
- Pressure capabilities up to 120 psig.
- Temperatures to 250 F.
- Female NPT threaded Suction and discharge nozzles.
- Size 1: 1.0" x 1.25"
- Size 2: 1.5" x 2.0"
- ½ to 5.0 horsepower motors. Service in both 60 and 50-Hz.
- Mechanical Seal faces in carbon vs ceramic, carbon vs silicon carbide and silicon carbide vs silicon carbide, with elastomers in Buna N, Viton and EPR

### Optionally Available

- Sanitary suction and discharge fittings.
- Mounting bases
- Custom Features! Contact factory for support.



## FSP and SSP and 7SP Catalog Number Nomenclature

Rev. Date  
9/21/2018

C 1 56 25 B 1 T 1 X Sample code for a model SSPC, size 1x1.25 with a 5.75" diameter impeller, 0.250 Vane height (at 4.38" diameter), Carbon/Ceramic/Buna Type 6 mechanical seal, with a 1 HP, TEFC, 1/60/115-230V motor, and with a special construction code letter.

<b>1st Symbol</b>	Pump Model	F = FSP: 304 SS, 5 inch case, threaded connections S = SSP: Open Impeller, 304SS Pump, 6 inch case, threaded connections C = SSPC: Closed Impeller, 304SS Pump, 6 inch case, threaded connections D = 7SP: 304SS, 7 inch case, threaded connection
-------------------	------------	---

<b>2nd Symbol</b>	Size Code	1 = 1.0" x 1.25" NPT
	Discharge x Suction	2 = 1.5" x 2.0" NPT (SSP Only)
	Discharge x Suction	3 = 1.0" x 1.25" NPT (7SP Only)
	Discharge x Suction	4 = 1.5" 3A sanitary connections

<b>3rd &amp; 4th Symbol</b>	Impeller Diameter	Digits indicate impeller diameter in inches, and eighths of an inch. Examples: 43 = 4 and 3/8 = 4.38", 56 = 5 and 6/8 = 5.75"
-----------------------------	-------------------	--

<b>5th &amp; 6th Symbol</b>	Impeller Vane Height (at a reference ' diameter of 4.38")	Two digits indicate vane height at 4.38" diameter, as indicated on performance curve. Ex: 25 indicates an average vane height of approximately 0.250 inch at 4.38". (Note: if the impeller diameter is larger than 4.38", the vane height at the outside
-----------------------------	---	---

<b>7th Symbol</b>	Mechanical Seal Type & Materials	<b>Type 16</b>		<b>Type-16 o-ring mount</b>	
<b>Material Index</b> Material Format: Rotating Face / Stationary Face / Elastomer Car = Carbon Cer = Ceramic SiC = Silicon Carbide		B = Car/Cer/Buna	Stock	(Std.)	
		E = Car/Cer/EPR	Stock		
		V = Car/Cer/Viton	Stock		L = Car/SiC/Buna
		4 = Car/SiC/Viton	Stock		M = Car/SiC/EPR
		5 = Car/SiC/EPR	Stock		N = Car/SiC/Viton
		6 = SiC/SiC/Buna	Stock		P = SiC/SiC/Buna
		7 = SiC/SiC/EPR	Stock		R = SiC/SiC/EPR
		8 = SiC/SiC/Viton	Stock		T = SiC/SiC/Viton
		X = Special			

Note: Standard case and impeller o-ring material will match seal elastomer as selected above.

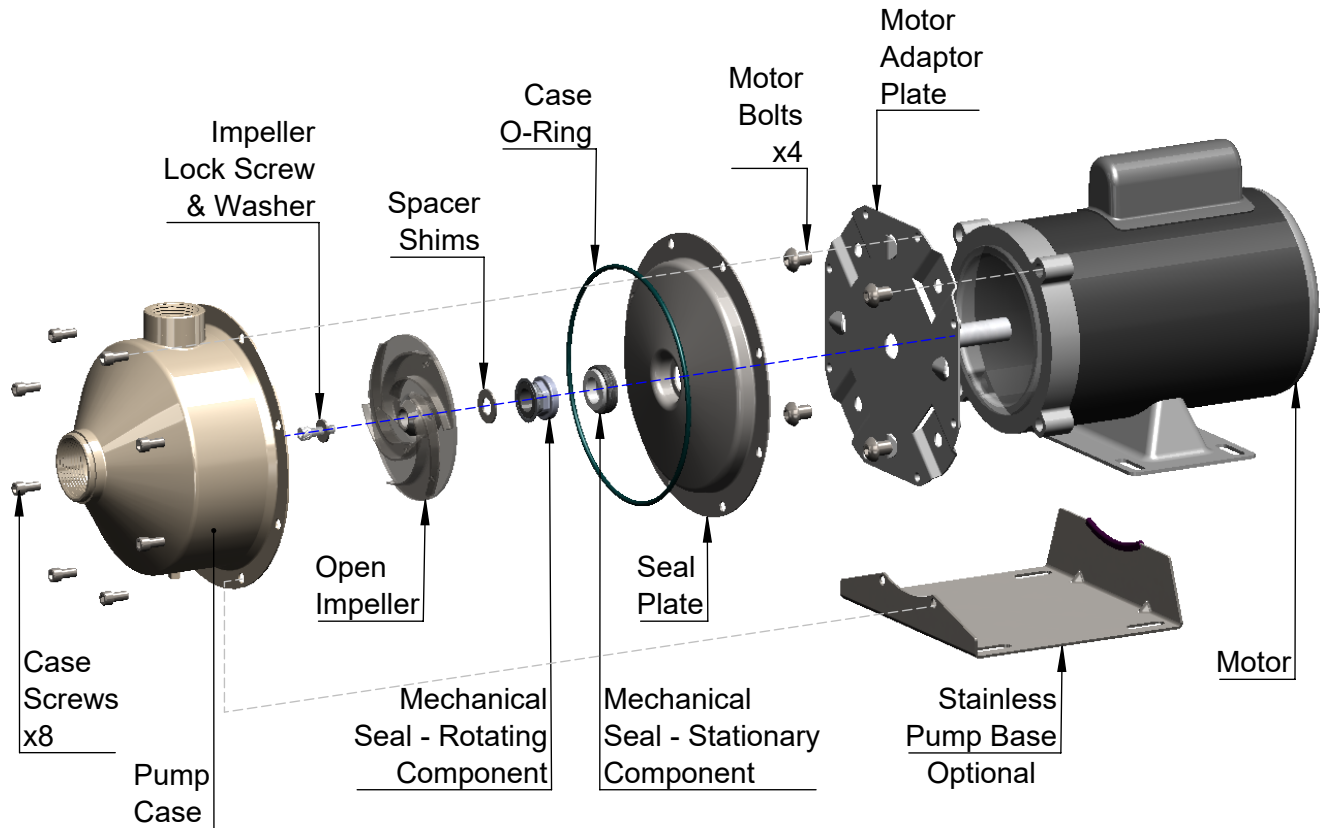
<b>8th Symbol</b>	Motor HP	A = 1/3 HP	1 = 1 HP	3 = 3 HP
		B = 1/2 HP	E = 1.5 HP	5 = 5 HP
		C = 3/4 HP	2 = 2 HP	7 = 7.5HP (non-stock)

<b>9th Symbol</b>	Motor Enclosure	D = Dripproof	X = Explosion Proof	V = TENV
		T = TEFC	W = Washdown Duty	S = Stainless Steel Motor

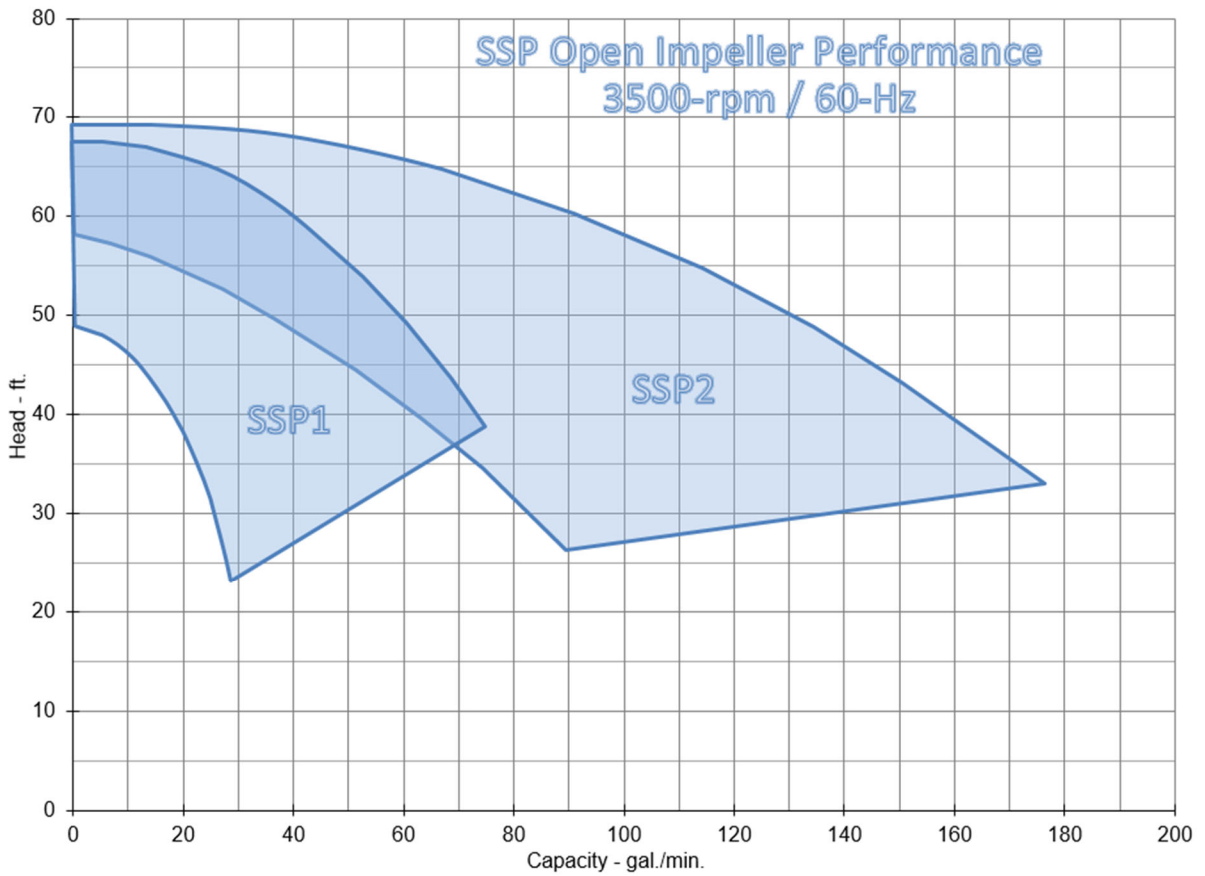
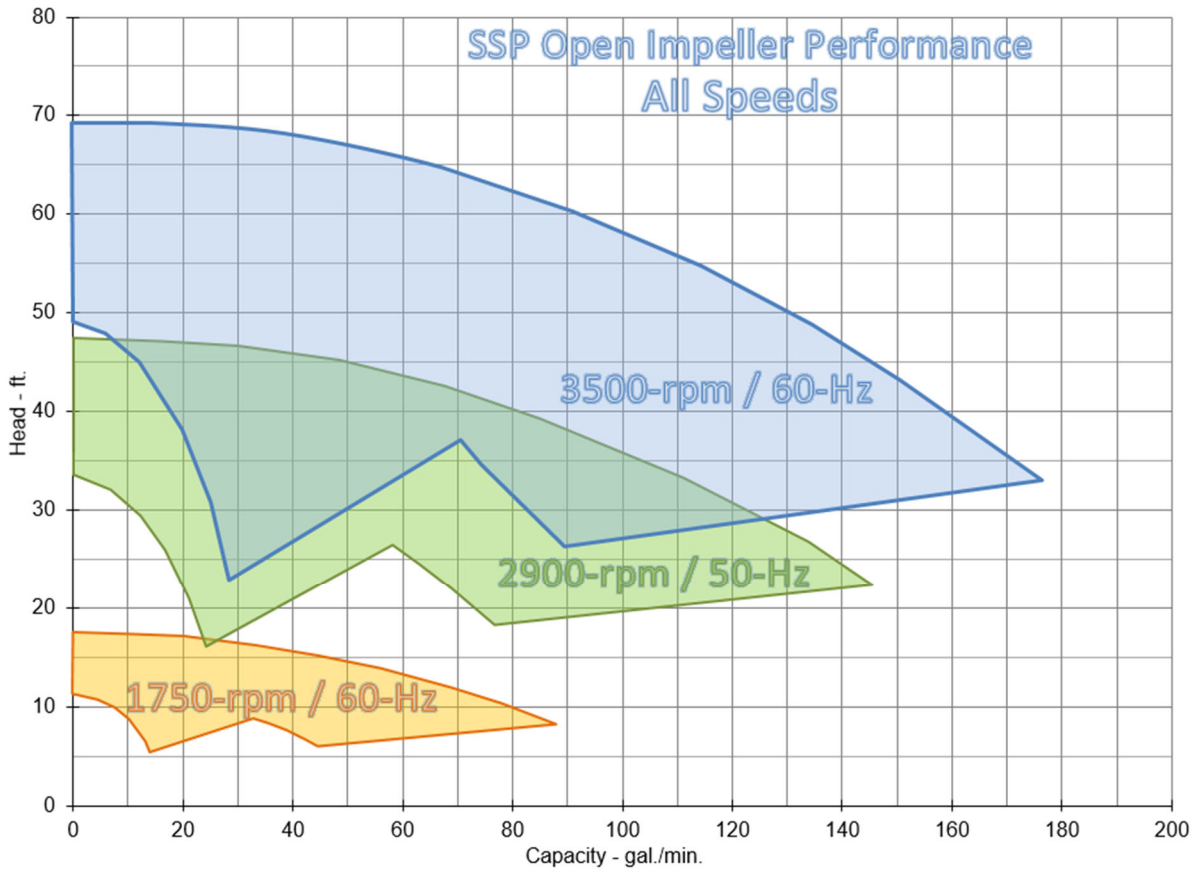
<b>10th Symbol</b>	Motor Power Details	<b>Power Rating</b>	<b>3500 RPM</b>	<b>1750 RPM</b>	<b>2900 RPM</b>
		1/60/115-230V	1	A	
		1/60/230V	2	B	
		3/60/208V	8		
		3/60/230-460V	3	C	
		3/60/460V	4	D	
		3/60/575V	5	E	
		1/50 or 1/60 (dual)	V	G	V
		3/50 or 3/60 (dual)	S	U	S
		Special	X	X	X
		1/50/110-220V			W
		1/50/220V			Y
		3/50/380V			Z

<b>11th Symbol &amp; Up</b>	Special Construction Codes: Consult factory for special pricing. May indicate a restricted OEM code.	= Stainless Steel Base (no symbol) F = Footed Motor S = Motor Shaft is 300SS X = Special - Consult factory with serial number W = welded impeller (no braze) V = VFD capable
-----------------------------	---	---

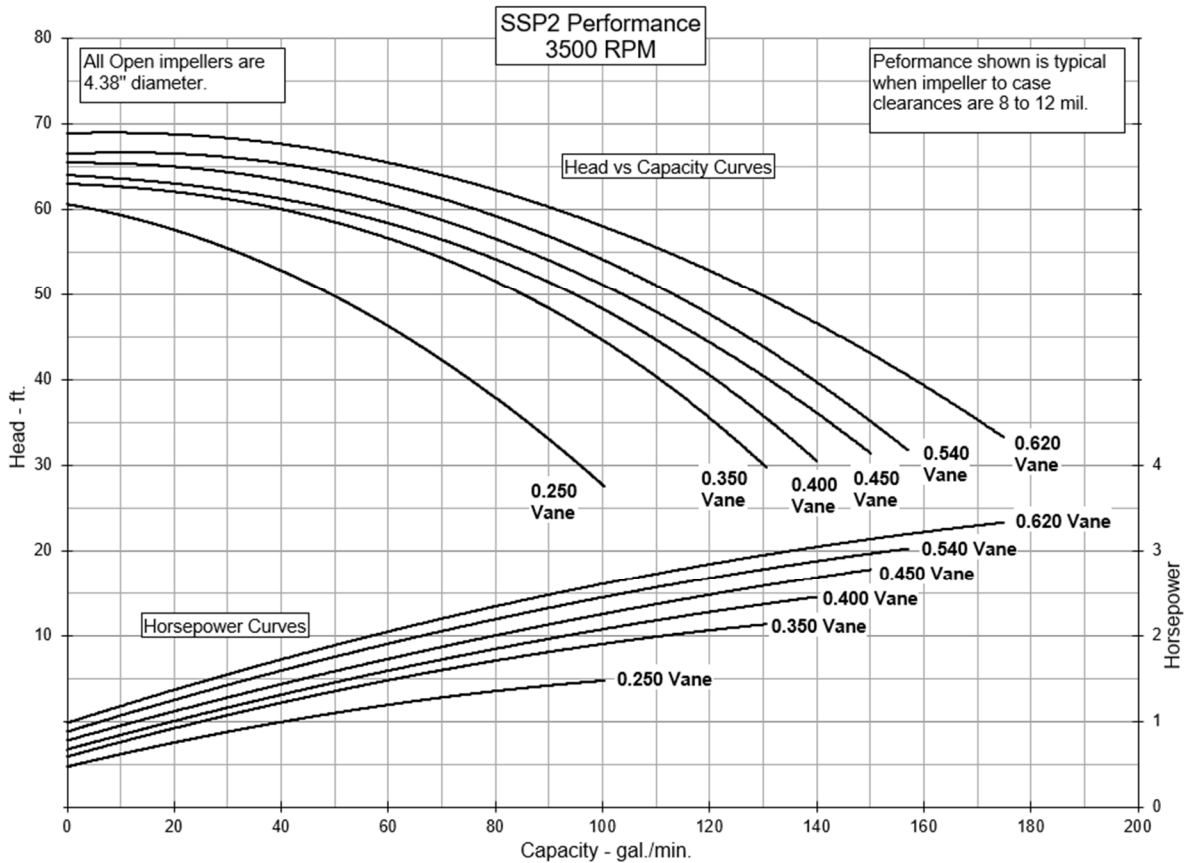
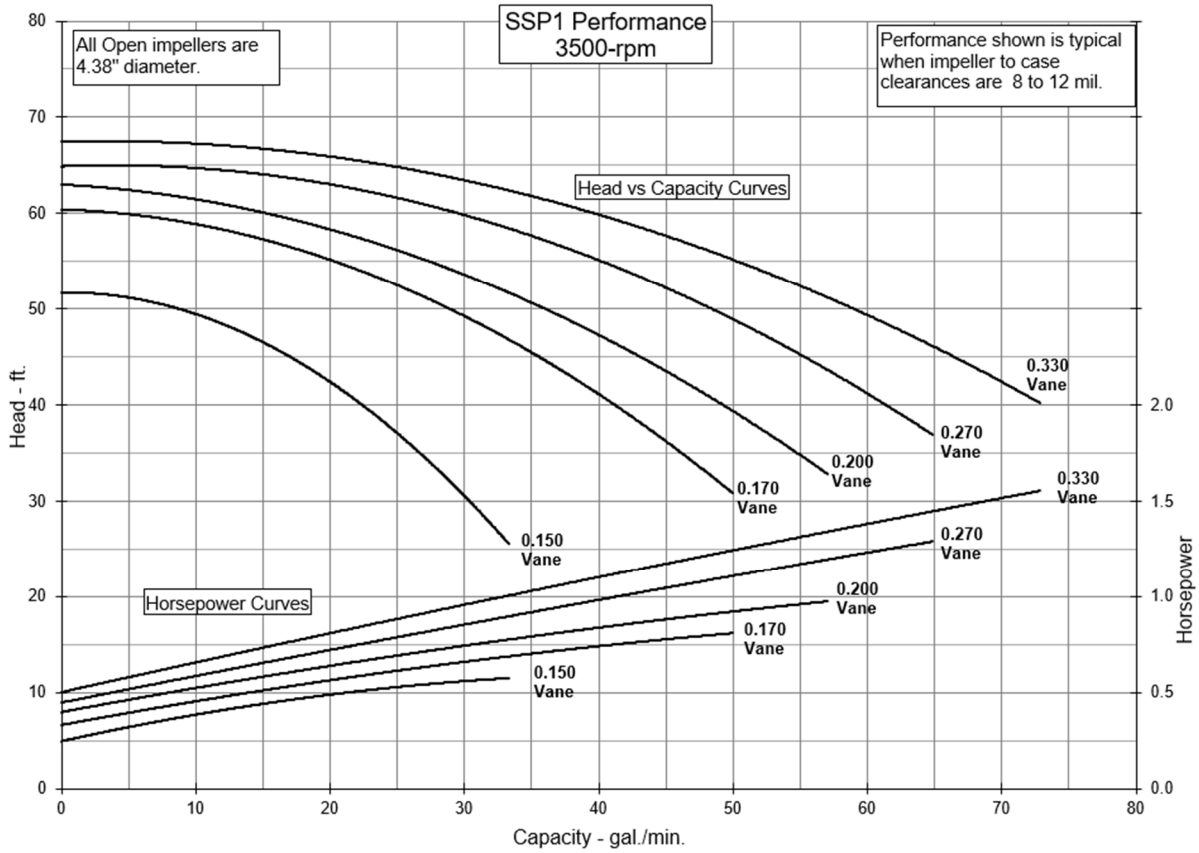
## Model SSP Open Impeller Pump Exploded View

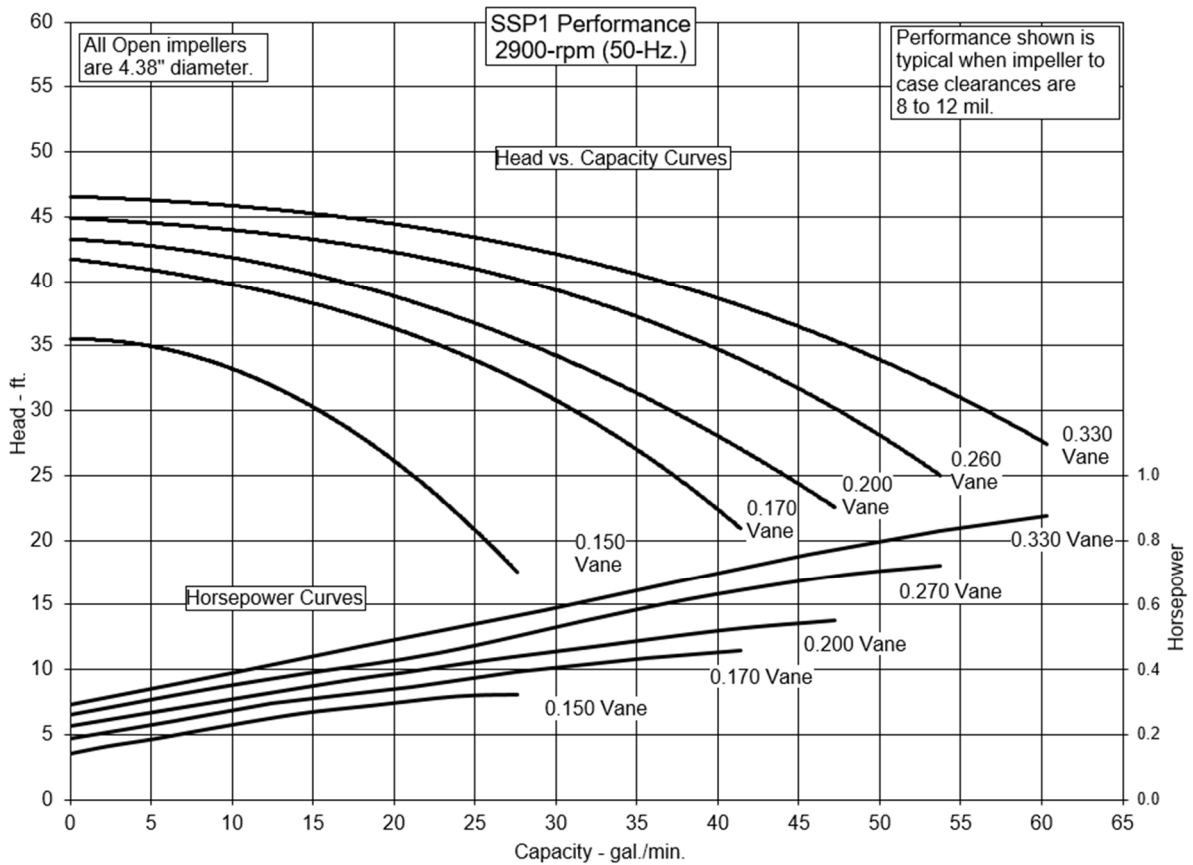
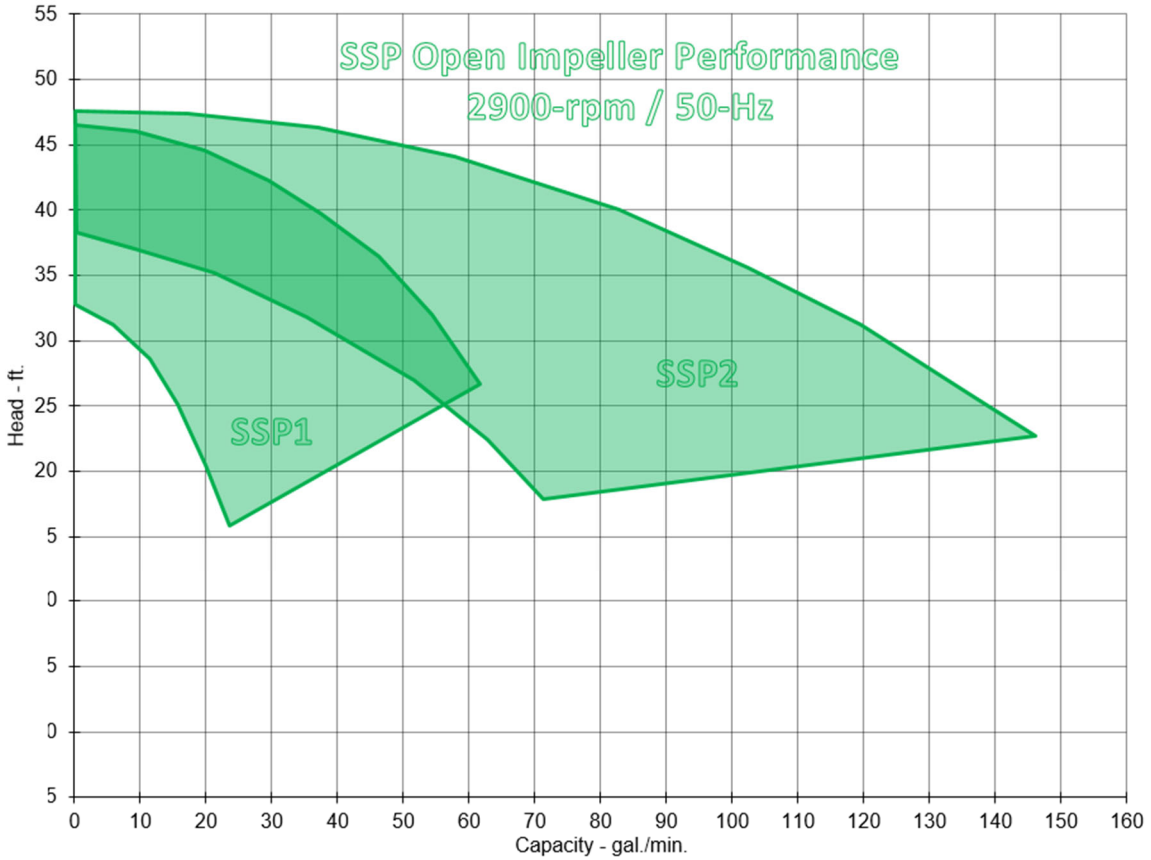


Item	Part	Qty	Material	Options
100	Casing	1	304 SS	Two sizes available.
200	Open Impeller	1	304 SS	11 Sizes available.
300	Mechanical Seal	1	Car/Cer/Buna Std.	See Seal Options
400	Sealplate	1	304 SS	
500	Case O-Ring	1	Buna Std.	Viton and EPR also available
600	Motor Adaptor Plate	1	304 SS	
700	Case Screws	8	18-8	
710	Motor Bolts	4	18-8	
720	Impeller Screw	1	18-8	For 3-phase & Exp.P motors
730	Impeller Washer	1	18-8	For 3-phase & Exp.P motors
740	Spacer Shims	Kit	304 SS	0.010 and 0.015 Thicknesses
800	Stainless Mounting Base	1	304 SS	Optional riser pad available
Motor	56J Frame (shown footed)	1	Various, See Motor Options	

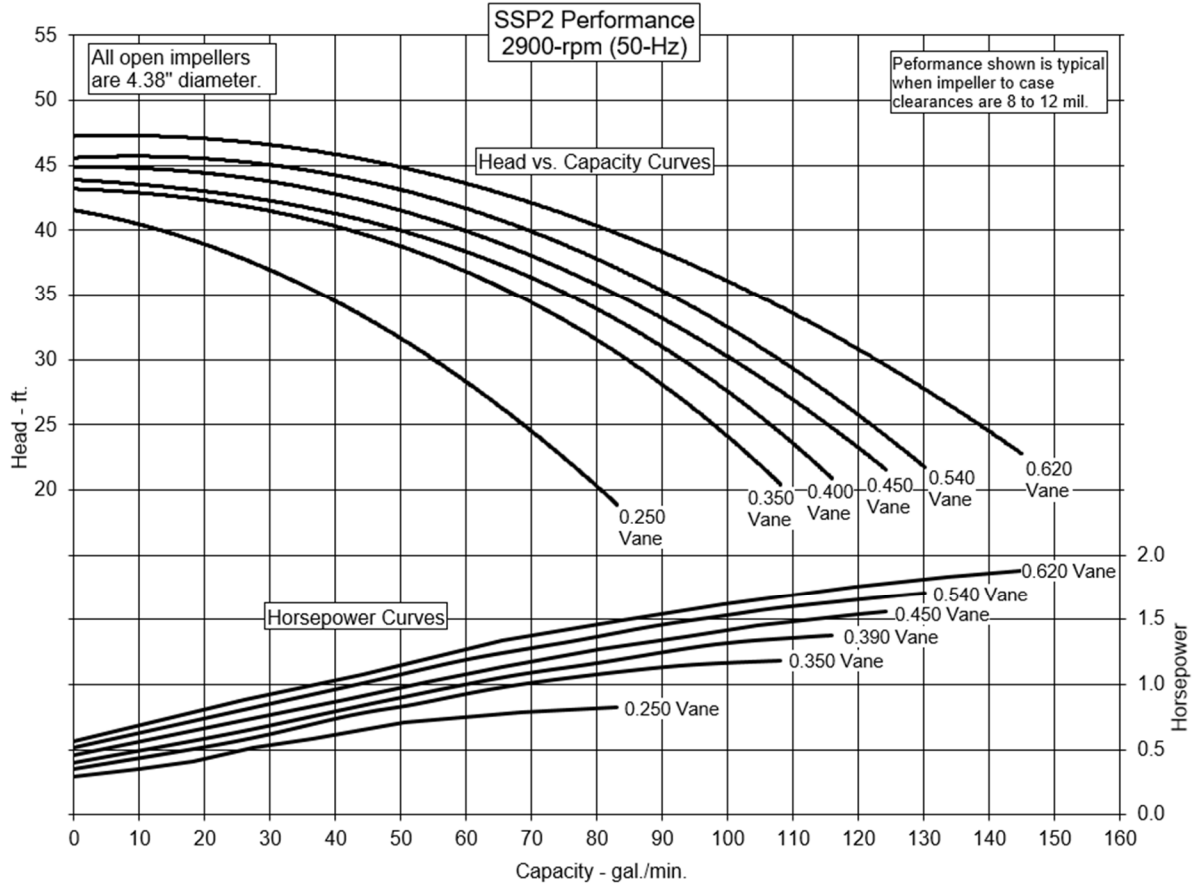


3500-rpm / 60-Hz / 2-Pole Curves

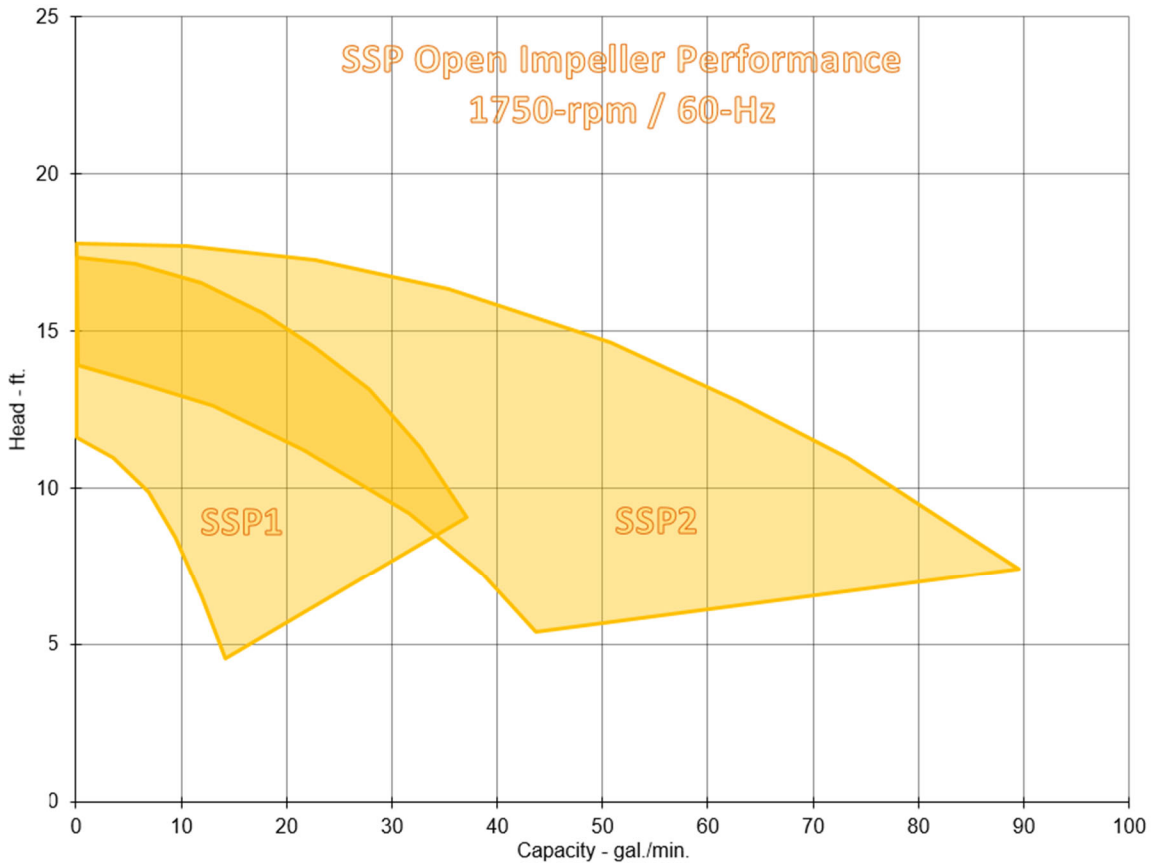




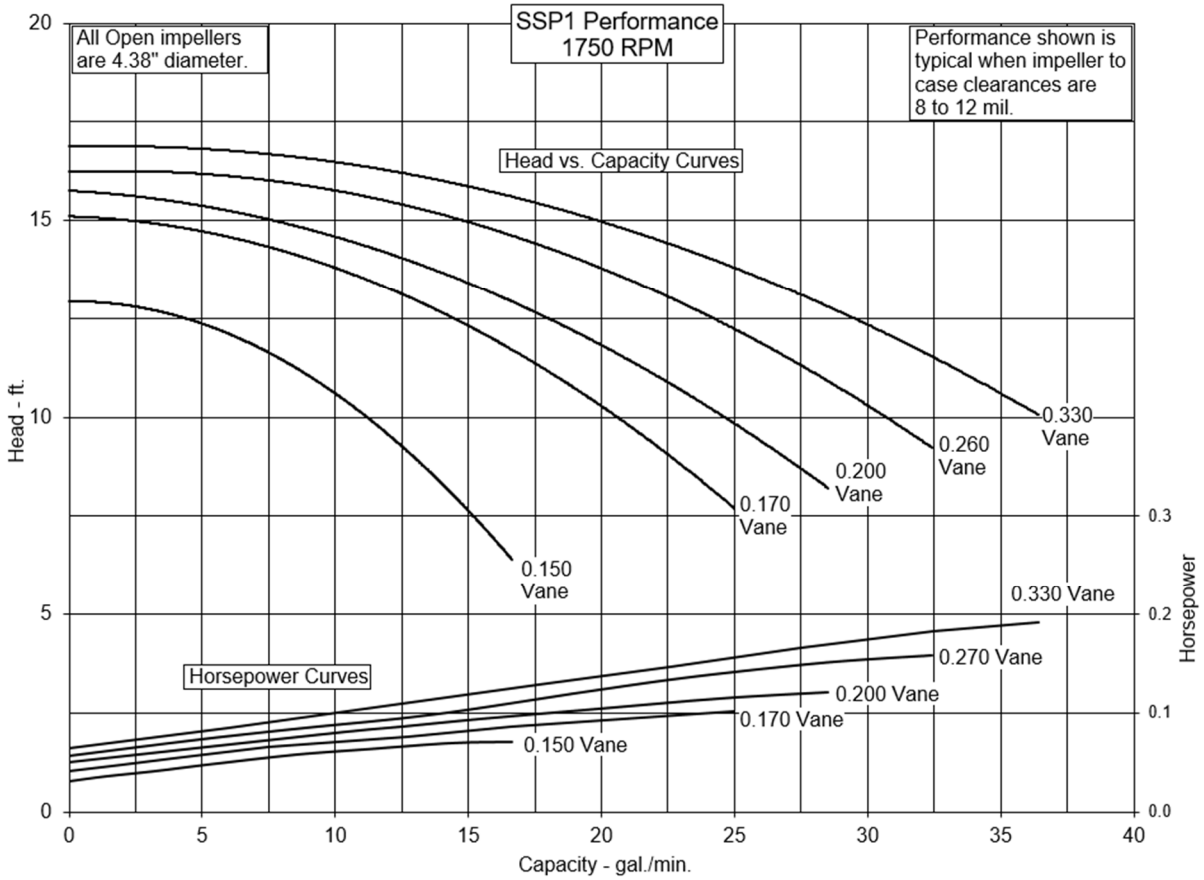
2900-rpm / 50-Hz / 2-Pole Curves

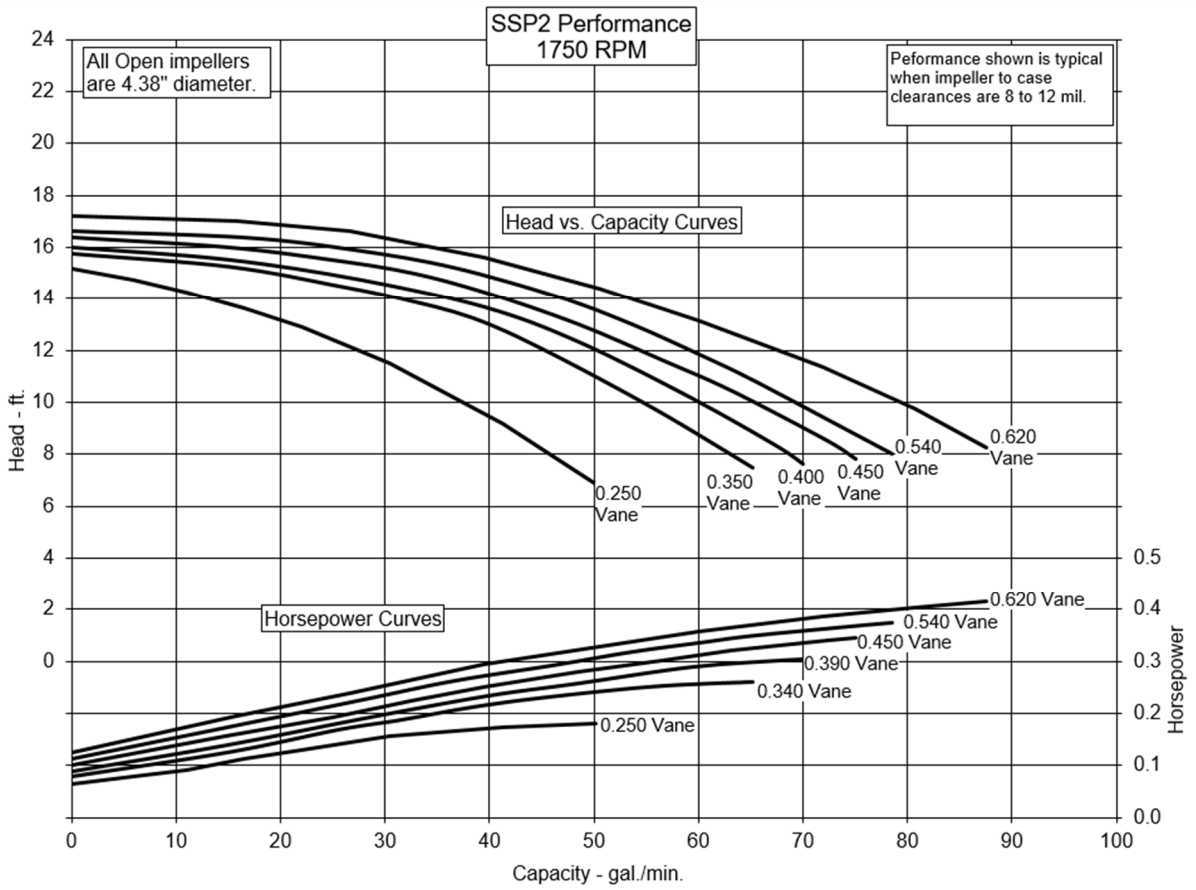






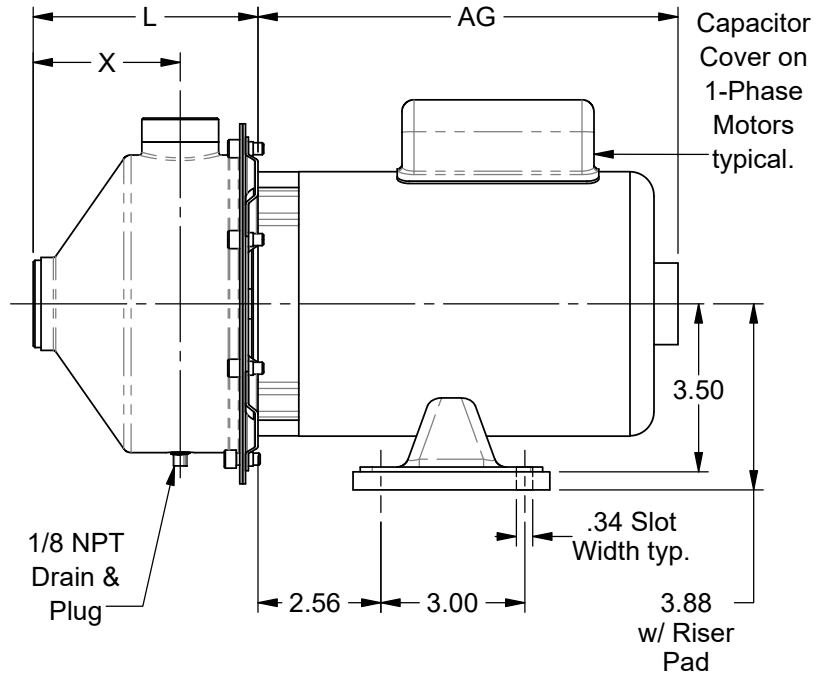
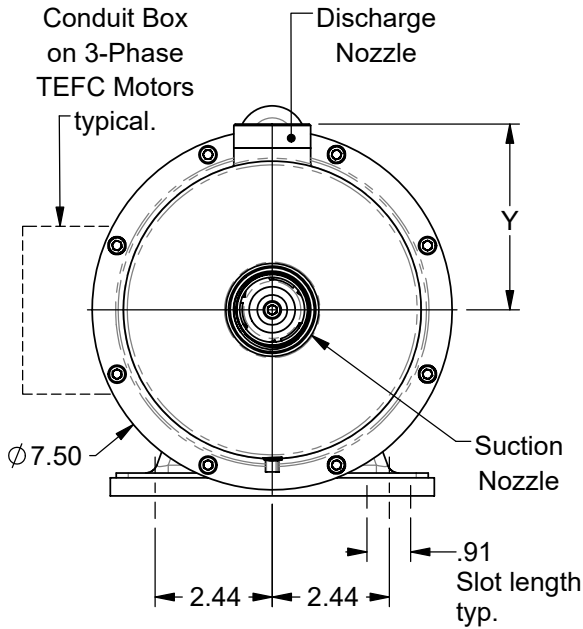
### 1750-rpm / 60-Hz / 2-Pole Curves







## SSP & SSPC Pumps with ODP & TEFC Footed Motors



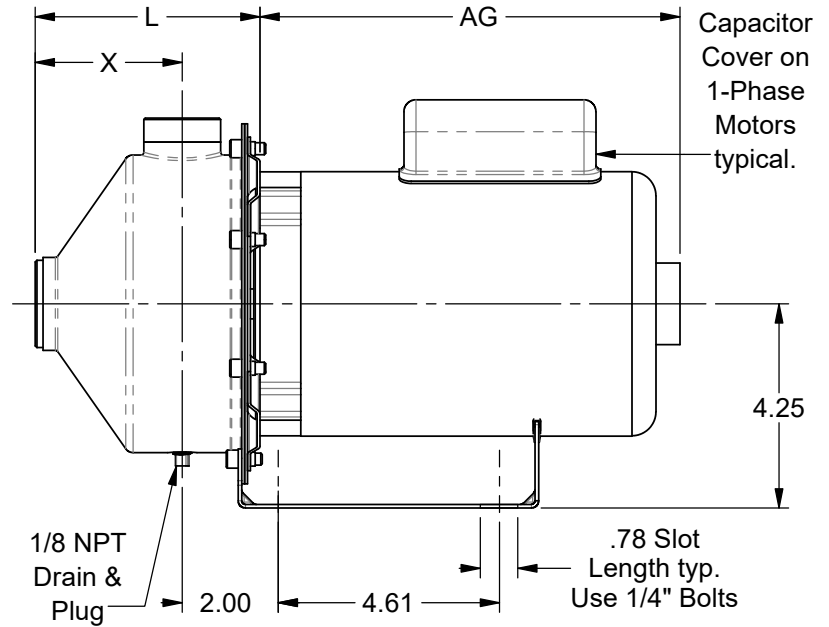
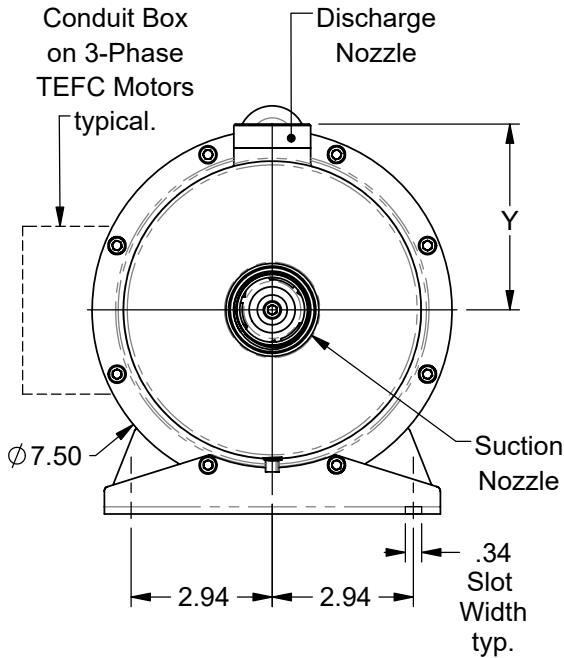
Size	Suction	Discharge	L	X	Y	Motor HP	AG ODP 1Ø	AG ODP 3Ø	Ship Wgt. ODP 1Ø//3Ø	AG TEFC 1Ø	AG TEFC 3Ø	Ship Wgt. TEFC 1Ø//3Ø
1SSP/C	1.25 NPT	1.0 NPT	4.7	3.1	3.9	1/2	9.1	8.3	32 // 28	9.3	12.1	31 // 28
						3/4	9.6	9.6	35 // 29	9.8	12.0	38 // 29
						1.0	9.8	8.7	37 // 30	10.0	11.6	40 // 30
						1.5	10.3	9.1	42 // 32	10.5	13.6	46 // 43
						2.0	10.3	9.5	43 // 36	10.8	14.4	48 // 49
						3.0	10.8	10.3	46 // 42	11.3	15.6	55 // 57
2SSP/C	2.0 NPT	1.5 NPT	4.3	2.7	4.5	1.0	9.8	8.7	37 // 31	10.0	11.6	40 // 31
						1.5	10.3	9.1	42 // 33	10.5	13.6	46 // 44
						2.0	10.3	9.5	46 // 37	10.8	14.4	48 // 50
						3.0	10.8	10.3	46 // 43	11.3	15.6	55 // 58
						5.0	12.1	11.4	64 // 57	NA	13.6	NA // 54

All dimensions in inches  $\pm 1/16"$ . Shipment weight includes packaging.

\*Dimensions may vary by motor manufacturer or motor enclosure. Ideally, weights and dimensions listed are the largest for each motor horsepower size likely to be encountered. More detailed "Certified for Construction" drawings are available upon request.



## SSP & SSPC Pumps with ODP & TEFC Stainless Steel Pump Base



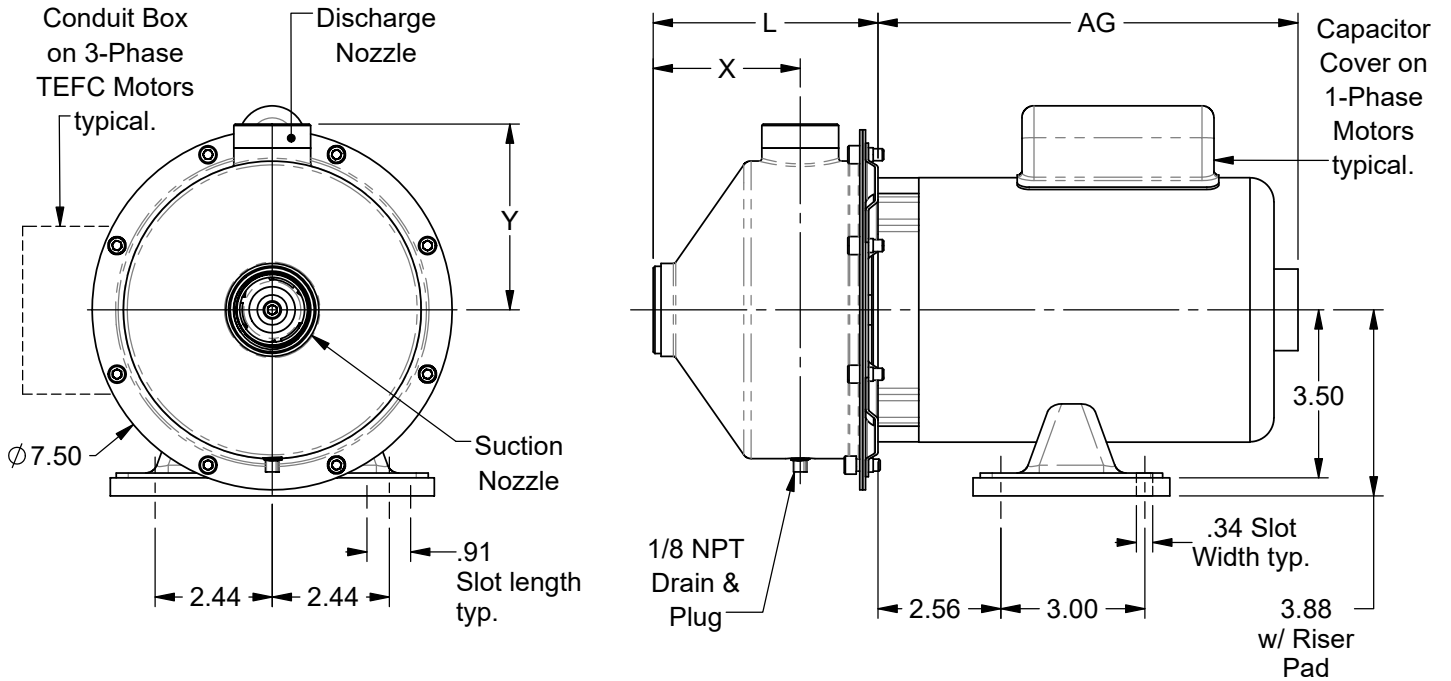
Size	Suction	Discharge	L	X	Y	Motor HP	AG ODP 1Ø	AG ODP 3Ø	Ship Wgt. ODP 1Ø//3Ø	AG TEFC 1Ø	AG TEFC 3Ø	Ship Wgt. TEFC 1Ø//3Ø
1SSP/C	1.25 NPT	1.0 NPT	4.7	3.1	3.9	1/2	9.1	8.3	32 // 28	9.3	12.1	31 // 28
						3/4	9.6	9.6	35 // 29	9.8	12.0	38 // 29
						1.0	9.8	8.7	37 // 30	10.0	11.6	40 // 30
						1.5	10.3	9.1	42 // 32	10.5	13.6	46 // 43
						2.0	10.3	9.5	43 // 36	10.8	14.4	48 // 49
						3.0	10.8	10.3	46 // 42	11.3	15.6	55 // 57
2SSP/C	2.0 NPT	1.5 NPT	4.3	2.7	4.5	1.0	9.8	8.7	37 // 31	10.0	11.6	40 // 31
						1.5	10.3	9.1	42 // 33	10.5	13.6	46 // 44
						2.0	10.3	9.5	46 // 37	10.8	14.4	48 // 50
						3.0	10.8	10.3	46 // 43	11.3	15.6	55 // 58
						5.0	NA	11.4	NA // 57	NA	NA	NA

All dimensions in inches ± 1/16". Shipment weight includes packaging.

\*Dimensions may vary by motor manufacturer or motor enclosure. Ideally, weights and dimensions listed are the largest for each motor horsepower size likely to be encountered. More detailed "Certified for Construction" drawings are available upon request.



## SSP & SSPC Pumps with 575 Volt ODP & TEFC Footed Motors



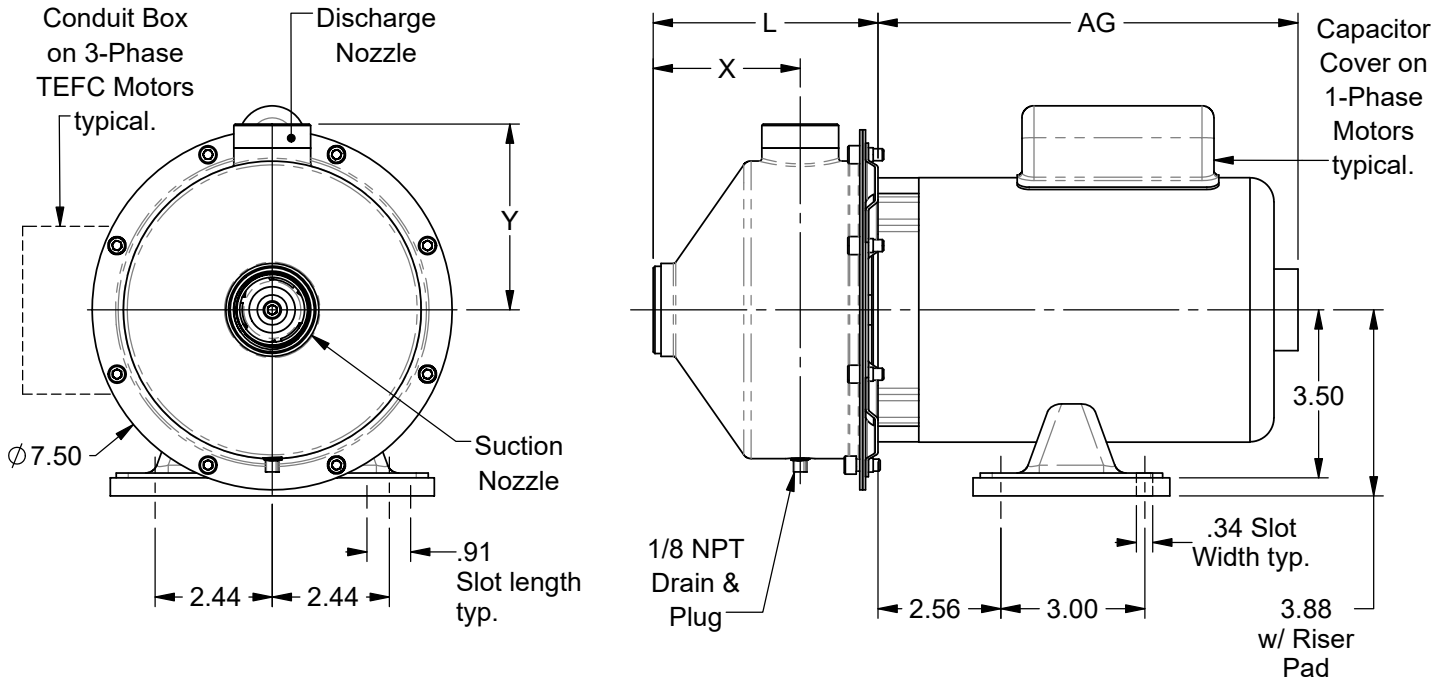
Size	Suction	Discharge	L	X	Y	Motor HP	AG ODP 3Ø	Wgt. ODP 3Ø	AG TEFC 3Ø	Wgt. TEFC 3Ø
1SSP/C	1.25 NPT	1.0 NPT	4.7	3.1	3.9	3/4	8.7	26	NA	NA
						1.0	8.7	27	9.0	32
						1.5	9.1	30	11.1	48
						2.0	9.5	39	11.8	53
						3.0	10.3	45	13.1	55
2SSP/C	2.0 NPT	1.5 NPT	4.3	2.7	4.5	1.0	8.7	28	9.0	32
						1.5	9.1	31	11.1	48
						2.0	9.5	40	11.8	53
						3.0	10.3	46	13.1	55
						5.0	11.4	91	contact ASP	

All dimensions in inches  $\pm 1/16"$ . Shipment weight includes packaging.

\*Dimensions may vary by motor manufacturer or motor enclosure. Ideally, weights and dimensions listed are the largest for each motor horsepower size likely to be encountered. More detailed "Certified for Construction" drawings are available upon request.



## SSP & SSPC Pumps with Wash Down Duty Footed Motors



Size	Suction	Discharge	L	X	Y	Motor HP	AG WASH 3Ø	Ship Wgt. WASH 3Ø
1SSP/C	1.25 NPT	1.0 NPT	4.7	3.1	3.9	3/4	8.8	32
						1.0	8.8	44
						1.5	10.3	52
						2.0	11.3	58
2SSP/C	2.0 NPT	1.5 NPT	4.3	2.7	4.5	1.0	8.8	44
						1.5	10.3	52
						2.0	11.3	58
						3.0	11.8	63

All dimensions in inches  $\pm 1/16"$ . Shipment weight includes packaging.

\*Dimensions may vary by motor manufacturer or motor enclosure. Ideally, weights and dimensions listed are the largest for each motor horsepower size likely to be encountered. More detailed "Certified for Construction" drawings are available upon request.

