



PNEUMATIC ACTUATORS

ACT-10



DOUBLE ACTING "ADA"

Manufacturing program:

 II 2 G D C - LCIE 05 AR 022

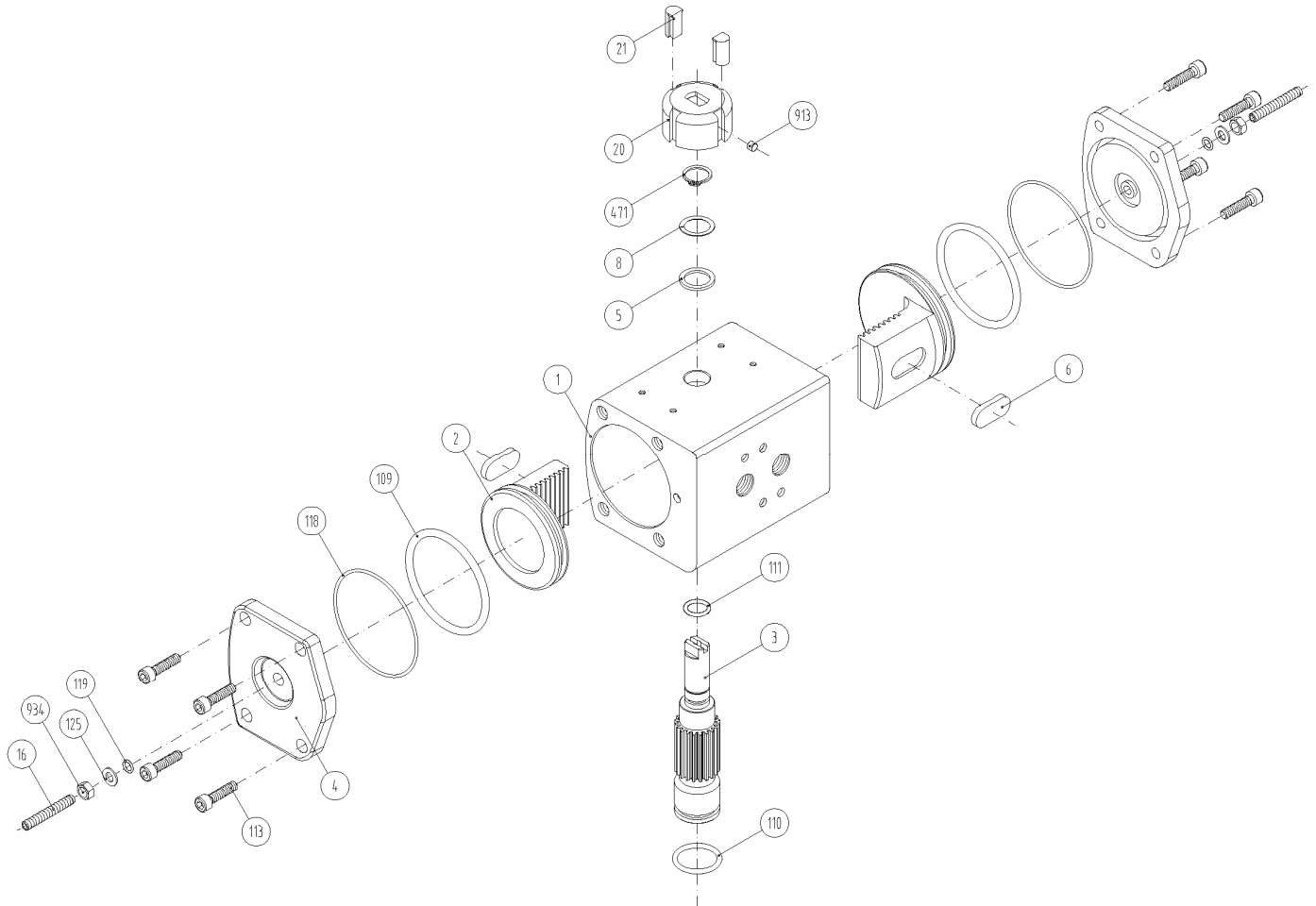
Quality & Environmental Management:





PNEUMATIC ACTUATORS

Parts and materials



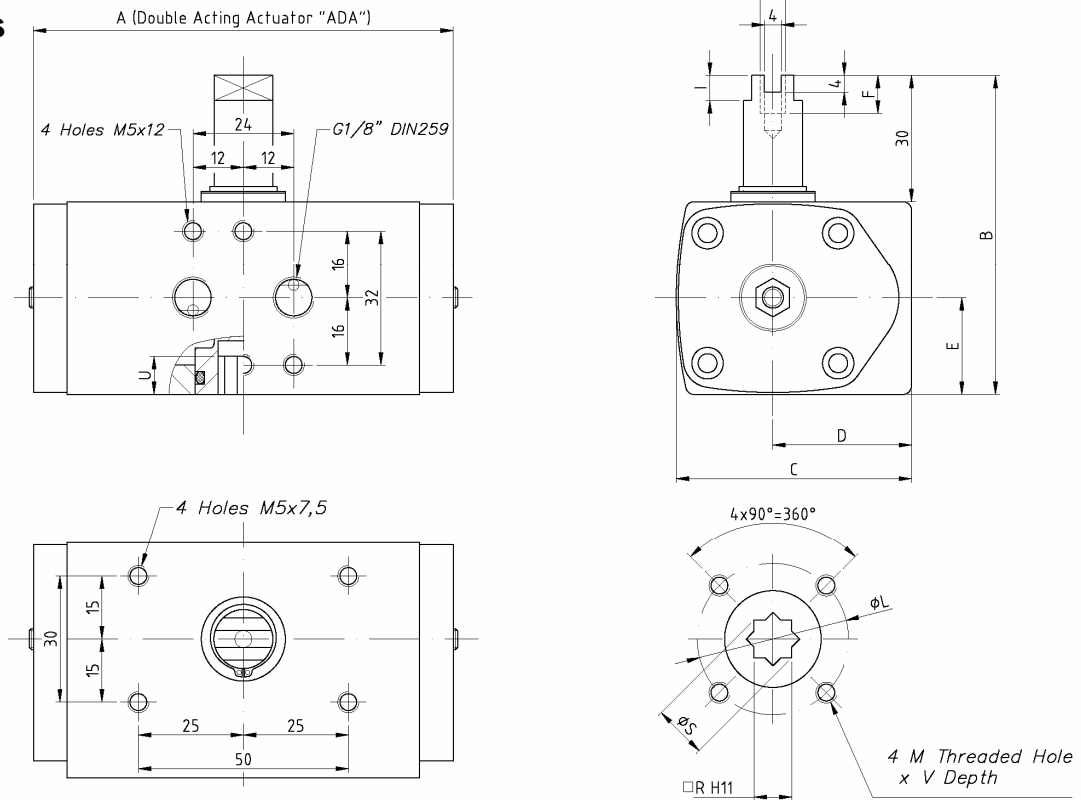
Item	Description	Material	Item	Description	Material
1	Body	Aluminium Hard Anodized	109	O-Ring	NBR
2	Piston	Aluminium	110	O-Ring	NBR
3	Pinion	Nickel Plated Carbon Steel	111	O-Ring	NBR
4	End Caps	Aluminium Epoxy Coated	113	Bolt	Stainless Steel
5	Soft Pinion Washer	Polyamide PA 6.6	118	O-Ring	NBR
6	Slide piston	Polyamide PA 6.6 + 30% G.F.	119	O-Ring	NBR
8	Pinion Washer	Stainless Steel	125	Washer	Stainless Steel
16	Leveling Screw	Stainless Steel	913	Set Screw	Stainless Steel
20	Position Indicator	Polyamide	471	External Circlip	Stainless Steel
21	Cam	Polyamide	934	Nut	Stainless Steel



PNEUMATIC ACTUATORS

Dimensions, General Characteristics, Torque

Dimensions



A	B	C	D	E	F	I	R	ØS	ISO	ØL	M x V	U
100	76	56	33	23	9	6	9	12,1	F03	36	M5x8	10

(*) Dimensions in mm

GENERAL CHARACTERISTICS	Serie ADA	Actuator	Double	Acting
DESIGN STANDARDS				
Mounting of solenoid valves	NAMUR Std.			
Mounting of devices	NAMUR VDI	NAMUR VDE 3845 Std.		
Coupling according	ISO 5211	DIN 3337		
Marking	Ex II 2 G D c LCIE 05 AR 022			
TESTS AND CERTIFICATES				
Quality Assurance	ISO 9001			

Max. Pressure	Rotation	Chamber Ø (mm)	Air Volume (L)		Stroke Time		Operating Temperature (°C)		
			Opening	Closing	Opening	Closing	STD (standard)	HT (high temp.)	LT (low temp.)
10 bar	90° ±2°	32	0,035	0,028	0,03	0,07	NBR "O" Ring	FPM "O" Ring	Silicone "O" Ring
							-30° to +100°	-15° to +150°	-40° to +80°

Double Acting Actuator "ADA" Torque Output in Nm

TYPE	Output Torque For Double Acting in Nm												Weight (Kg)
	3 bar 0° 90°	3,5 bar 0° 90°	4 bar 0° 90°	4,5 bar 0° 90°	5 bar 0° 90°	5,5 bar 0° 90°	6 bar 0° 90°	6,5 bar 0° 90°	7 bar 0° 90°	8 bar 0° 90°	9 bar 0° 90°	10 bar 0° 90°	
D	6	8	9	10	11	11,5	12	12	13	14	15	16	0,64