

H.I.D Lighting Fixtures EVN Series

Wet Locations
NEMA 3,3R,4,4X,7,9

❖ Type of Explosion-proof

Flameproof-Non Sparking (Ex dnR IIC T4)
Non Sparking (Ex nR II T4 IP66)
Dust Ignition-proof (Ex DP II 11 IP66)

❖ Weight

Mounting Type	Catalog No.	Weight
Pendant	EVNNL 1255	11.5 Kg

❖ Technical Data

Electrical Ratings	
Rated Voltage	AC110V/ 220V/ 240V (*See Below)
Rated Wattage	50W/ 70W/ 100W/ 150W/ 175W/ 200W/ 250W
Rated Frequency	50Hz/ 60Hz
Entry Sizes	1/2", 3/4", 1"

* Also you can order various voltage :
120V/ 208V/ 277V/ 460V



< EVN >

❖ Standard Finish

- Dark Gray
- If you want another color, contact us please.

❖ Certification

- Certified by KOSHA (Korea Occupational Safety & Health Agency), KGS (Korea Gas Safety Corporation), and the others.

❖ Compliance

- IEC 60079-0, 1, 15
- NEMA 3, 3R, 4, 4X, 7, 9

❖ Options

- With Dome Reflector or 30° Angle Reflector with SMC or High Grade Aluminium
- With Choke or Lead Peak type Ballast
- For various voltage from 110V to 240V
- For 50Hz/ 60Hz

❖ Standard Materials

- Housing, mounting modules, component pallets : Fiberglass reinforced polyester resin
- Globe : Heat resistant hard glass
- Gasket : Silicone rubber
- Reflector : Fiberglass Reinforced Polyester
- External Hardware : Stainless steel, Brass

❖ Application

EVN Series lighting fixtures are used :

- in manufacturing plants, refineries, chemical, petrochemical and other industrial process facilities, wastewater and sewage treatment plants, offshore, dockside and other harbor installations as well as other heavy industrial applications.
- wherever the damaging effects of water, wind, snow, sleet, hot sun or any combination of these elements are found.
- in withstands the harshest of corrosive environments.
- to provide low wattage spot and floodlighting.
- where an explosive atmosphere consisting of a mixture with air of flammable substances in the form of gas, vapour or mist is not likely to occur in normal operation but, if it does occur, will persist for a short period only.
- where combustibile dust, moisture, dirt are present and vibration, corrosion, rough usage are problems.

❖ Features

- Enclosure in glass fiber reinforced polyester resin, provide excellent resistant to corrosion so have a long life.
- Enclosure contain ultraviolet interception ingredient to resist transformation.
- Easy installation and maintenance.
- Pendant mounting module equipped with integral hub set screws for vibration resistance.
- Guard, hub inserts, stanchion elbow and hardware made of stainless steel for maximum resistance to corrosion.
- Grounding wire for safety.
- Hinged assembly allows the fixture to hang free during installation to permit the use of both hands when wiring.

⇒ If you need more information, contact us please.

Lighting Fixture

❖ Ordering Number

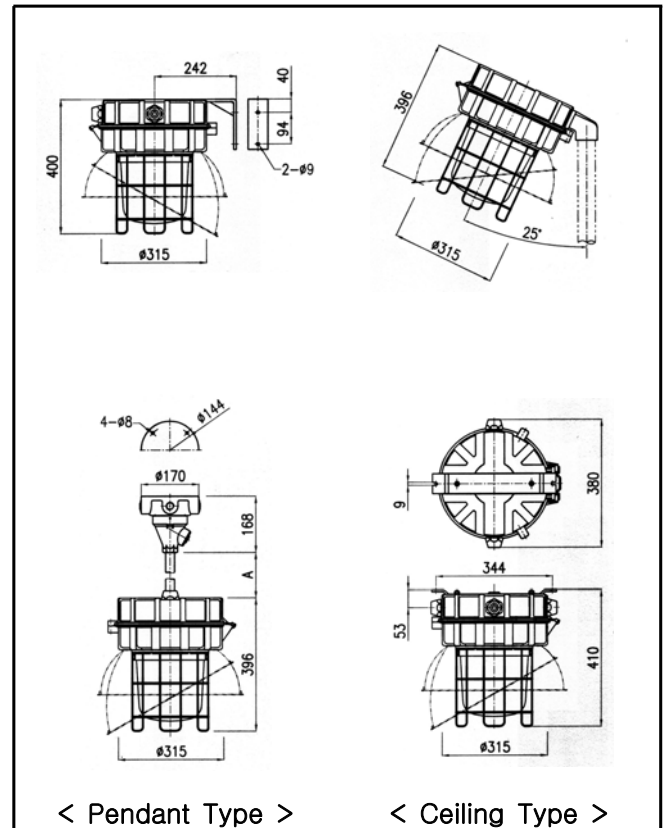
Lamp	Watt	Hub Size	Pendant	Ceiling	Bracket	Stanchion	Certification
High Pressure Sodium	50	1/2"	EVNNL 1055	EVNNL 2055	EVNNL 3055	EVNNL 9055	Ex dnR IIC T4 IP66 Ex nR II T4 IP66 Ex DP II 11 IP66
		3/4"	EVNNL 1053	EVNNL 2053	EVNNL 3053	EVNNL 9053	
	70	1/2"	EVNNL 1075	EVNNL 2075	EVNNL 3075	EVNNL 9075	
		3/4"	EVNNL 1073	EVNNL 2073	EVNNL 3073	EVNNL 9073	
	100	1/2"	EVNNL 1105	EVNNL 2105	EVNNL 3105	EVNNL 9105	
		3/4"	EVNNL 1103	EVNNL 2103	EVNNL 3103	EVNNL 9103	
	150	1/2"	EVNNL 1155	EVNNL 2155	EVNNL 3155	EVNNL 9155	
		3/4"	EVNNL 1153	EVNNL 2153	EVNNL 3153	EVNNL 9153	
	200	1/2"	EVNNL 1205	EVNNL 2205	EVNNL 3205	EVNNL 9205	
		3/4"	EVNNL 1203	EVNNL 2203	EVNNL 3203	EVNNL 9203	
250	1/2"	EVNNL 1255	EVNNL 2255	EVNNL 3255	EVNNL 9255		
	3/4"	EVNNL 1253	EVNNL 2253	EVNNL 3253	EVNNL 9253		
Metal Halide	100	1/2"	EVNHL 1105	EVNHL 2105	EVNHL 3105	EVNHL 9105	Ex dnR IIC T4 IP66 Ex nR II T3 IP66 Ex DP II 11 IP66
		3/4"	EVNHL 1103	EVNHL 2103	EVNHL 3103	EVNHL 9103	
	175	1/2"	EVNHL 1175	EVNHL 2175	EVNHL 3175	EVNHL 9175	
		3/4"	EVNHL 1173	EVNHL 2173	EVNHL 3173	EVNHL 9173	
	250	1/2"	EVNHL 1255	EVNHL 2255	EVNHL 3255	EVNHL 9255	Ex dnR IIC T3 IP66 Ex nR II T3 IP66
		3/4"	EVNHL 1253	EVNHL 2253	EVNHL 3253	EVNHL 9253	

❖ Ordering Information

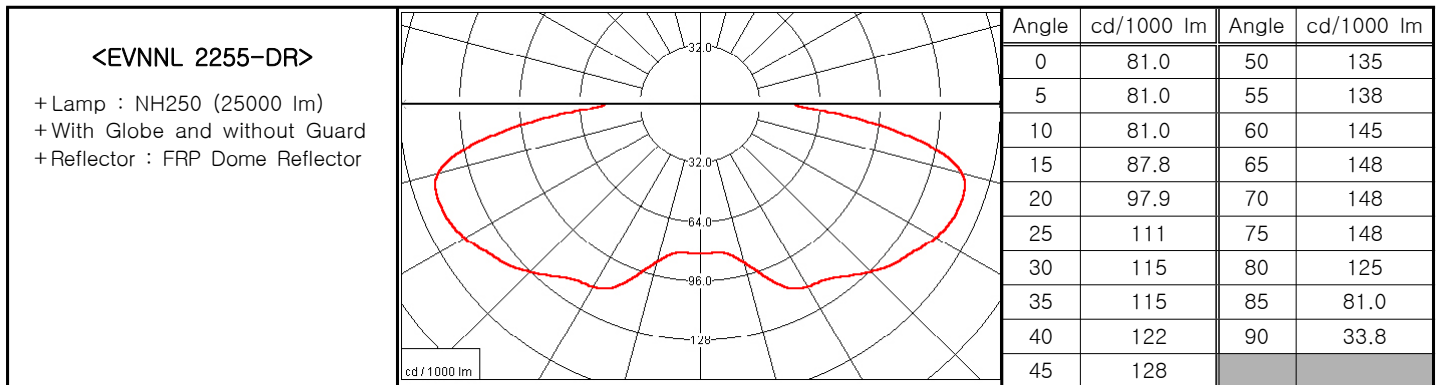
EVN	NL	1	05	5	-	DR
①	②	③	④	⑤		⑥

- ① EVN Lighting Fixture
- ② Lamp Type
NL - High Pressure Sodium
HL - Metal Halide
ML - Mercury Vapour
- ③ Mounting Type
1 - Pendant
2 - Ceiling
3 - Bracket
9 - Stanchion
- ④ Lamp Wattage (W)
05 - 50
07 - 70
10 - 100
15 - 150
17 - 175
20 - 200
25 - 250
- ⑤ Entry Size
1 - 1"
3 - 3/4"
5 - 1/2"
- ⑥ Options
DR - Dome Reflector
AR - Angle Reflector
※ Can order Aluminium Reflector instead of FRP Reflector

❖ Dimension



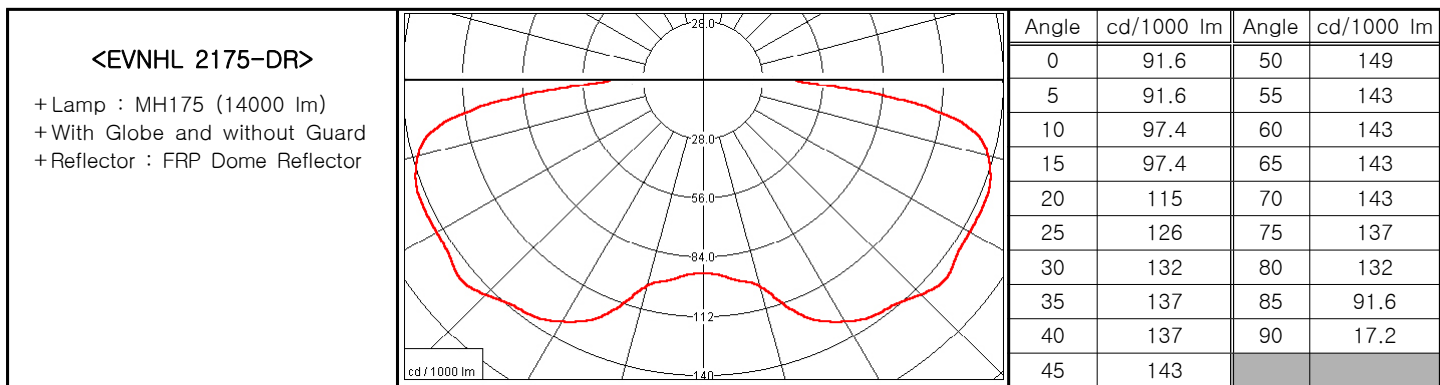
❖ Photometric Data



Multipliers

Coefficients of Utilization – Zonal Cavity

(For use with candlepower curves only)																			
Lamp Watts	Conversion Factor	%Effective Ceiling Cavity Reflectance(ρ _{cc})		80			70			50			30			10			0
		%Wall Reflectance(ρ _w)		50	30	10	50	30	10	50	30	10	50	30	10	50	30	10	0
		Room Cavity Ratio/RCR		20% Effective Floor Cavity Reflectance															
250	1	0	.92	.92	.92	.90	.90	.90	.86	.86	.86	.82	.82	.82	.79	.79	.79	.77	
		1	.79	.75	.72	.77	.73	.70	.74	.71	.68	.70	.68	.66	.68	.66	.64	.62	
		2	.67	.61	.56	.65	.60	.55	.62	.58	.54	.60	.56	.52	.57	.54	.51	.49	
200	0.8	3	.57	.50	.44	.56	.49	.44	.54	.48	.43	.51	.46	.42	.49	.45	.42	.40	
		4	.50	.42	.36	.49	.42	.36	.47	.40	.36	.45	.39	.35	.43	.38	.34	.33	
		5	.44	.36	.30	.43	.36	.30	.41	.35	.30	.40	.34	.30	.38	.33	.29	.27	
150	0.56	6	.39	.31	.26	.38	.31	.26	.37	.30	.26	.35	.30	.25	.34	.29	.25	.23	
		7	.35	.28	.23	.34	.27	.22	.33	.27	.22	.32	.26	.22	.31	.26	.22	.20	
		8	.32	.25	.20	.31	.25	.20	.30	.24	.20	.29	.24	.20	.28	.23	.19	.18	
		9	.29	.22	.18	.29	.22	.18	.28	.22	.18	.27	.21	.17	.26	.21	.17	.16	
		10	.27	.20	.16	.26	.20	.16	.26	.20	.16	.25	.19	.16	.24	.19	.16	.14	



Multipliers

Coefficients of Utilization – Zonal Cavity

(For use with candlepower curves only)																			
Lamp Watts	Conversion Factor	%Effective Ceiling Cavity Reflectance(ρ _{cc})		80			70			50			30			10			0
		%Wall Reflectance(ρ _w)		50	30	10	50	30	10	50	30	10	50	30	10	50	30	10	0
		Room Cavity Ratio RCR		20% Effective Floor Cavity Reflectance															
250	1.47	0	.96	.96	.96	.94	.94	.94	.90	.90	.90	.86	.86	.86	.82	.82	.82	.81	
		1	.82	.78	.75	.80	.77	.74	.77	.74	.71	.74	.71	.69	.71	.69	.67	.65	
		2	.70	.64	.59	.69	.63	.58	.66	.61	.57	.63	.59	.55	.60	.57	.54	.52	
		3	.60	.53	.47	.59	.52	.47	.57	.51	.46	.54	.49	.45	.52	.48	.44	.42	
		4	.53	.45	.39	.52	.44	.39	.50	.43	.38	.48	.42	.38	.46	.41	.37	.35	
175	1	5	.47	.39	.33	.46	.38	.33	.44	.37	.32	.42	.36	.32	.41	.36	.32	.30	
		6	.42	.34	.28	.41	.34	.28	.39	.33	.28	.38	.32	.28	.37	.31	.27	.26	
		7	.38	.30	.25	.37	.30	.25	.36	.29	.24	.34	.29	.24	.33	.28	.24	.22	
		8	.34	.27	.22	.34	.27	.22	.33	.26	.22	.32	.26	.22	.31	.25	.21	.20	
		9	.31	.24	.20	.31	.24	.20	.30	.24	.19	.29	.23	.19	.28	.23	.19	.18	
		10	.29	.22	.18	.28	.22	.18	.28	.22	.18	.27	.21	.18	.26	.21	.17	.16	

Lighting Fixture

Compact Fluorescent Lighting Fixtures EVN Series

Wet Locations
NEMA 3,3R,4,4X,7,9

❖ Type of Explosion-proof

Non Sparking (Ex nR II T4 IP66)
Dust Ignition-proof (Ex DP II 11 IP66)



< EVNCL 1263 >

❖ Technical Data

Electrical Ratings	
Rated Voltage	AC110V/ 220V/ 240V
Rated Wattage	13W×3, 18W×3, 26W×3
Rated Frequency	50Hz/ 60Hz
Entry Sizes	1/2", 3/4", 1"

❖ Weight

Mounting Type	Catalog No.	Weight
Pendant	EVNCL 1263	9 Kg

❖ Standard Materials

- Housing, mounting modules, component pallets : Fiber glass reinforced polyester resin
- Globe : Heat resistant hard glass
- Gasket : Silicone rubber
- Reflector : Fiber glass Reinforced Polyester
- External Hardware : Stainless steel, Brass

❖ Application

- EVN Series lighting fixtures are used :
- in manufacturing plants, refineries, chemical, petrochemical and other industrial process facilities, wastewater and sewage treatment plants, offshore, dockside and other harbor installations as well as other heavy industrial applications.
 - wherever the damaging effects of water, wind, snow, sleet, hot sun or any combination of these elements are found.
 - in withstands the harshest of corrosive environments.
 - to provide low wattage spot and floodlighting.
 - where an explosive atmosphere consisting of a mixture with air of flammable substances in the form of gas, vapour or mist is not likely to occur in normal operation but, if it does occur, will persist for a short period only.
 - where combustible dust, moisture, dirt are present and vibration, corrosion, rough usage are problems.

❖ Features

- Enclosure in glass fiber reinforced polyester resin, provide excellent resistant to corrosion so have a long life.
- Enclosure contain ultraviolet interception ingredient to resist transformation.
- Easy installation and maintenance
- Internal type ballast.
- Pendant mounting module equipped with integral hub set screws for vibration resistance.
- Guard, hub inserts, stanchion elbow and hardware made of stainless steel for maximum resistance to corrosion.
- Grounding wire for safety.
- Hinged assembly allows the fixture to hang free during installation to permit the use of both hands when wiring.

❖ Certification

- Certified by KOSHA (Korea Occupational Safety & Health Agency), KGS (Korea Gas Safety Corporation), and the others.

❖ Compliance

- IEC 60079-0, 15
- NEMA 3, 3R, 4, 4X

❖ Standard Finish

- Dark Gray
- If you want another color, contact us please.

❖ Options

- With Dome Reflector or 30° Angle Reflector with SMC or High Grade Aluminium

⇒ If you need more information, contact us please.

❖ Ordering Number

Lamp	Watt	Hub Size	Pendant	Ceiling	Bracket	Stanchion	Certification
Compact Fluorescent	13W×3	1/2"	EVNCL 1135	EVNCL 2135	EVNCL 3135	EVNCL 9135	Ex nR II T4 Ex DP II 12
		3/4"	EVNCL 1133	EVNCL 2133	EVNCL 3133	EVNCL 9133	
	18W×3	1/2"	EVNCL 1185	EVNCL 2185	EVNCL 3185	EVNCL 9185	
		3/4"	EVNCL 1183	EVNCL 2183	EVNCL 3183	EVNCL 9183	
	26W×3	1/2"	EVNCL 1265	EVNCL 2265	EVNCL 3265	EVNCL 9265	
		3/4"	EVNCL 1263	EVNCL 2263	EVNCL 3263	EVNCL 9263	

❖ Ordering Information

① EVN Lighting Fixture

EVN	CL	1	13	5	-	DR
①	②	③	④	⑤		⑥

② Lamp Type

CL - Compact Fluorescent

③ Mounting Type

- 1 - Pendant
- 2 - Ceiling
- 3 - Bracket
- 9 - Stanchion

④ Lamp Wattage (W)

- 13 - 13W×3
- 18 - 18W×3
- 26 - 26W×3

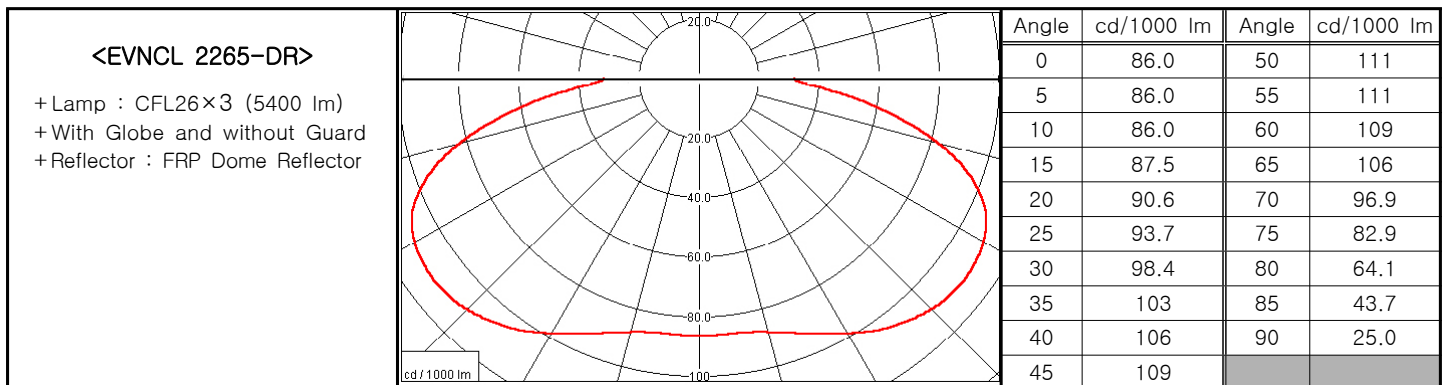
⑤ Entry Size

- 1 - 1"
- 3 - 3/4"
- 5 - 1/2"

⑥ Options

- DR - Dome Reflector with SMC
- AR - Angle Reflector with SMC
- * Can order Aluminium Reflector instead of FRP Reflector

❖ Photometric Data

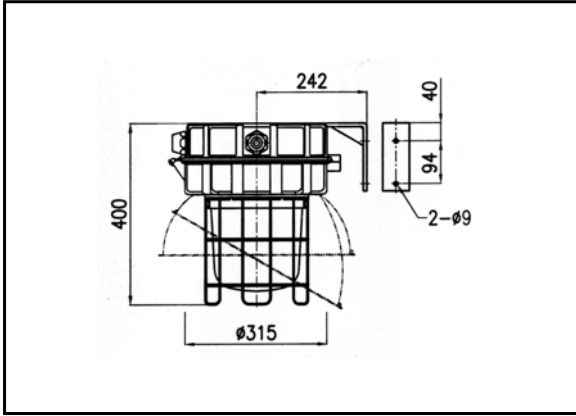


Coefficients of Utilization - Zonal Cavity

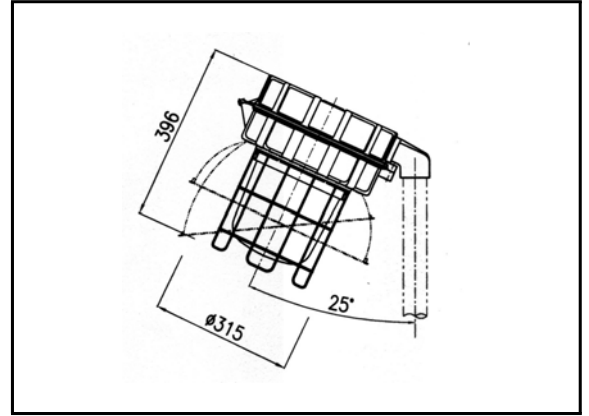
%Effective Ceiling Cavity Reflectance(ρ _{cc})	80			70			50			30			10			0
	50	30	10	50	30	10	50	30	10	50	30	10	50	30	10	0
Room Cavity Ratio RCR	20% Effective Floor Cavity Reflectance															
0	.67	.67	.67	.66	.66	.66	.63	.63	.63	.60	.60	.60	.58	.58	.58	.57
1	.58	.56	.53	.57	.55	.53	.55	.53	.51	.52	.51	.49	.50	.49	.48	.47
2	.50	.46	.43	.49	.45	.42	.47	.44	.41	.45	.43	.40	.44	.41	.39	.38
3	.44	.39	.35	.43	.38	.35	.41	.37	.34	.40	.36	.33	.38	.35	.33	.32
4	.38	.33	.29	.38	.33	.29	.36	.32	.29	.35	.31	.28	.34	.30	.28	.27
5	.34	.29	.25	.34	.28	.25	.32	.28	.24	.31	.27	.24	.30	.27	.24	.23
6	.31	.25	.22	.30	.25	.21	.29	.25	.21	.28	.24	.21	.27	.24	.21	.20
7	.28	.23	.19	.27	.22	.19	.26	.22	.19	.25	.21	.19	.25	.21	.18	.17
8	.25	.20	.17	.25	.20	.17	.24	.20	.17	.23	.19	.17	.23	.19	.16	.15
9	.23	.18	.15	.23	.18	.15	.22	.18	.15	.21	.18	.15	.21	.17	.15	.14
10	.21	.17	.14	.21	.17	.14	.20	.16	.14	.20	.16	.14	.19	.16	.13	.12

Lighting Fixture

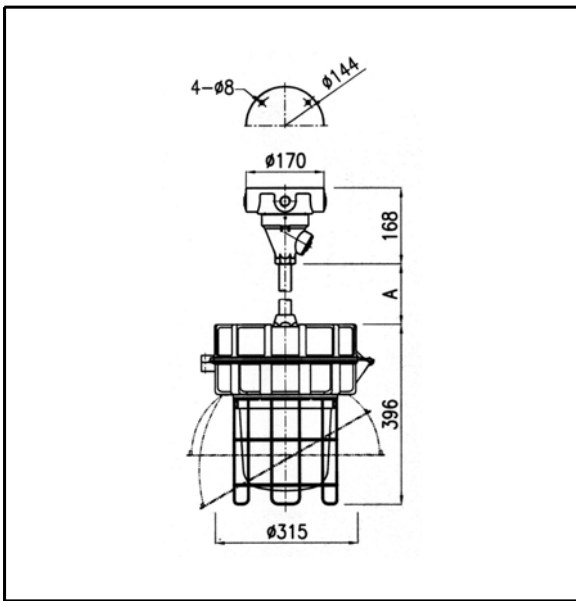
❖ Dimension



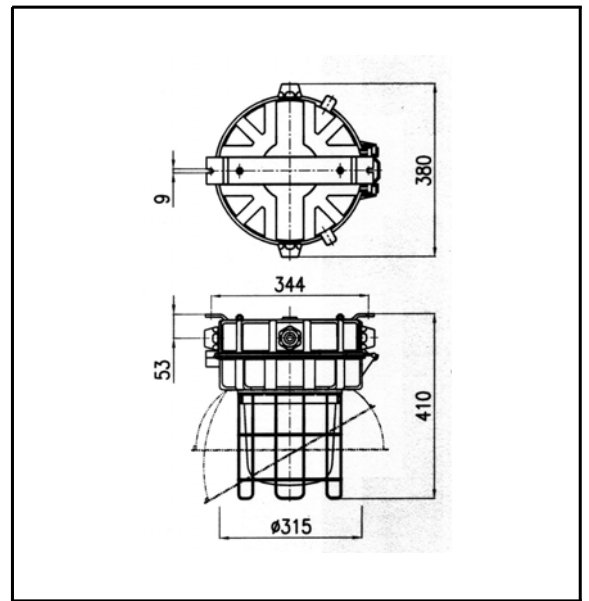
< EVN Bracket Type >



< EVN Stanchion Type >



< EVN Pendant Type >



< EVN Ceiling Type >